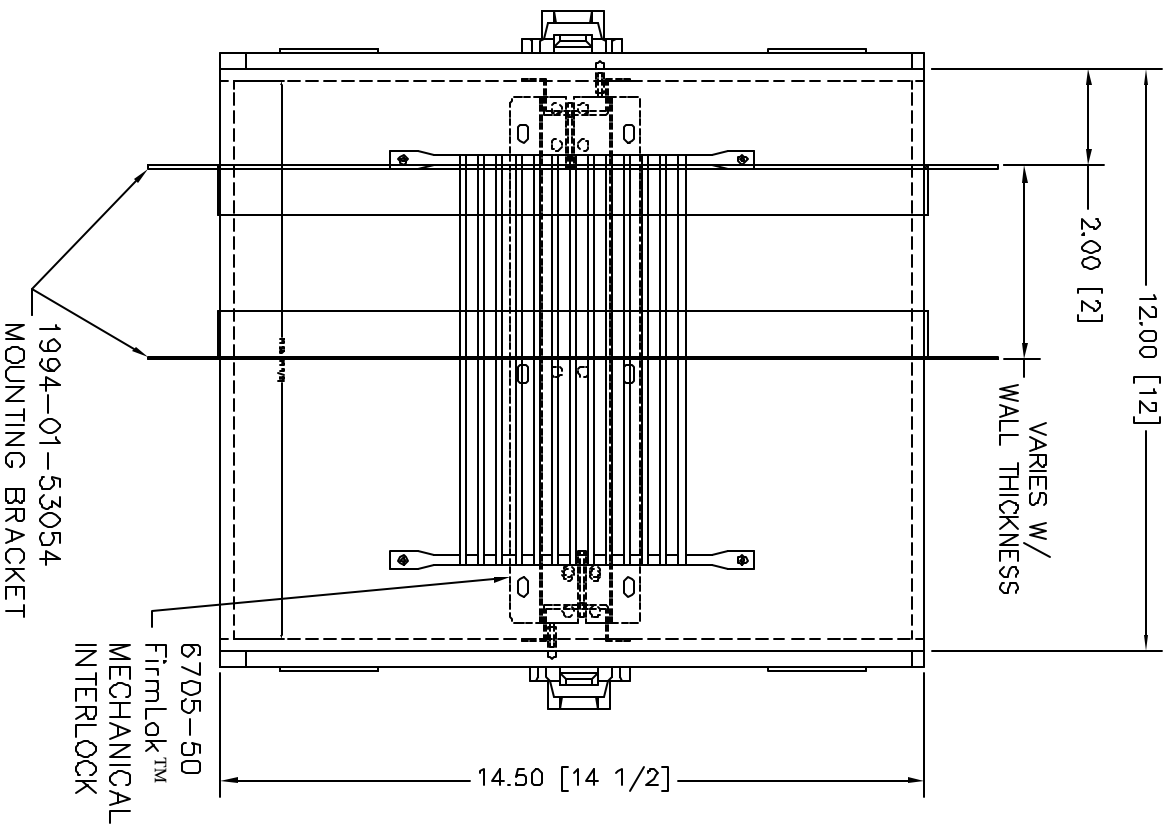
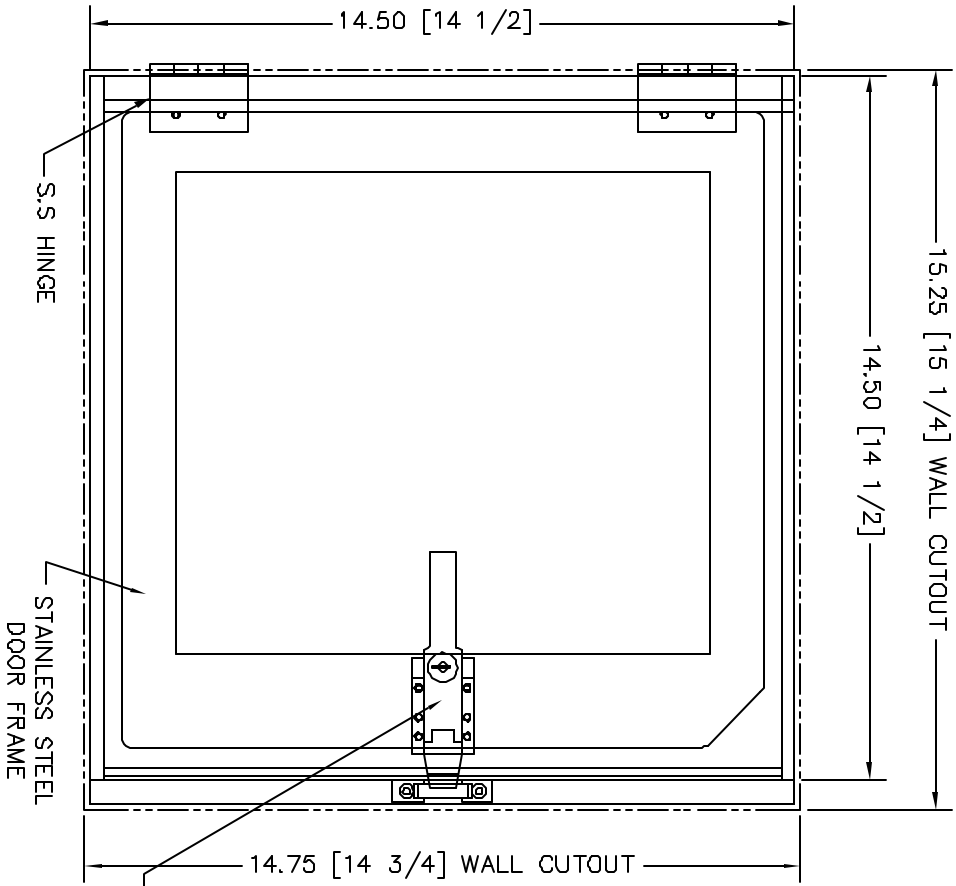


- NOTES:
 1. DOOR SWING +180° TYPICAL
 2. MOUNT NO CLOSER THAN 2" TO ADJACENT WALLS
 (TO MAINTAIN +90° DOOR SWING).



LR#	DESCRIPTION	DATE	APPR	-1	CONFIG	DESCRIPTION
NC	INITIAL RELEASE	04.03.08	DV			
Δ	CUST CHANGE REQUEST	04.07.06	DV		MATERIAL SPEC. 1/4" THK ACRYLIC CLEAR	FINISH SPEC.
UNLESS OTHERWISE SPECIFIED, DIMENSIONS ARE IN INCHES TOLERANCES ARE:						
.XX DECIMALS ± .03		X±		1"		
.XXX DECIMALS ± .010		X/X ±		1/64		
DRAWN:	SIGNATURES	VERDI	DATE	03.24.09		
ENGR:						
				TITLE CUSTOM PASS-THROUGH, ACRYLIC, WALL MOUNT 14.5"W X 12"D X 14.5"H		
NEXT ASSY	USED ON/SCALE	NONE	PASS THROUGH	SHEET 1 OF 1		