

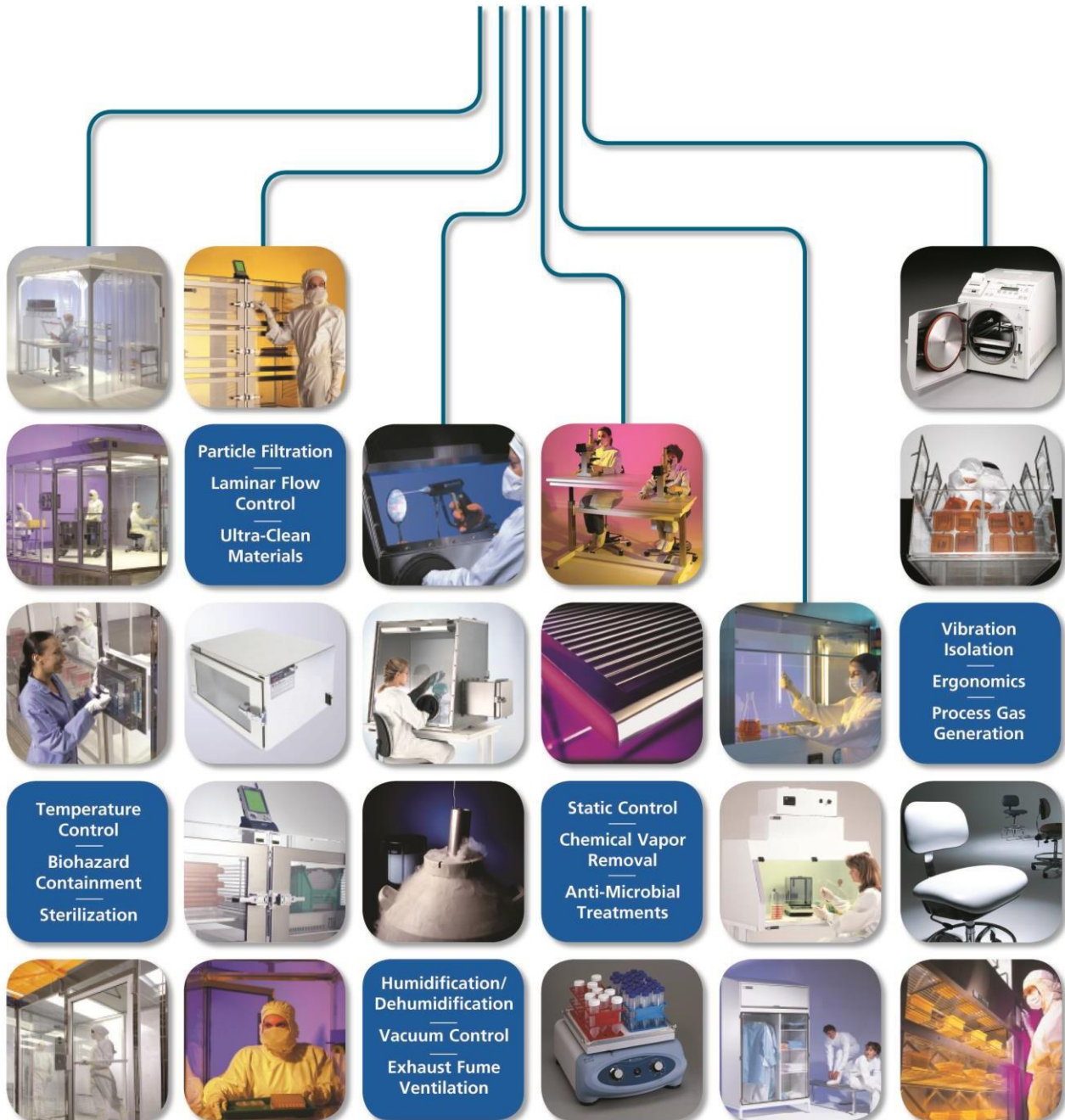


Installation and Operating Guide Document No. 1801-04

Fire-Rated Pass-Through Chambers

© Copyright 2025 Terra Universal Inc. All rights reserved. • Revised Dec. 2025

Your Comprehensive
 Equipment Source





Fire-Rated Pass-Through Chambers



Table of Contents

1. SAFETY	3
2. GENERAL INFORMATION	4
3. INSTALLATION.....	5
3.1 WALL CUT-OUT	5
3.2 STANDARD MOUNTING BRACKETS.....	7
3.3 FIRE-RATED OR RUGGEDIZED PASS-THROUGHS	8
3.4 FLOOR-MOUNTED PASS-THROUGHS	9
3.5 DOOR ALIGNMENT.....	10
3.6 DOOR REMOVAL/INSTALLATION.....	10
4. EXHAUST FLANGE OR FILTER HOUSING	11
5. RECIRCULATING PASS-THROUGH.....	12
5.1 OPERATION.....	12
5.2 FILTER REPLACEMENT	14
6. OPERATION.....	15
6.1 INTERLOCK SYSTEM.....	15
6.2 MAINTENANCE	15
6.3 CLEANING.....	15
7. WARRANTY	16
HTTPS://WWW.TERRAUNIVERSAL.COM/WARRANTY	16
APPENDIX: INSTALLATION QUALIFICATION CHECKLIST.....	17



Fire-Rated Pass-Through Chambers

1. Safety

<p>Proprietary Notice</p> <p>This manual pertains to proprietary devices manufactured by Terra Universal, Inc. Neither this document nor any portion of it may be reproduced in any way without prior written permission from Terra Universal.</p> <p>Terra Universal makes no warranties applying to information contained in this manual or its suitability for any implied or inferred purpose. Terra Universal shall not be held liable for any errors this manual contains or for any damages that result from its use.</p>	<p>Safety Notice</p> <p>A thorough familiarity with all operating guidelines is essential to safe operation of the product. Failure to observe safety precautions could result in poor performance, damage to the system or other property, or serious bodily injury or death. The following symbols are intended to call your attention to two levels of hazard involved in operation.</p> <div style="display: flex; align-items: center; margin-bottom: 10px;">  <p>Cautions are used when failure to observe instructions could result in significant damage to equipment.</p> </div> <div style="display: flex; align-items: center;">  <p>Warnings are used when failure to observe instructions or precautions could result in injury or death.</p> </div>
<p>The information presented here is subject to change without notice.</p>	

The installer is responsible for ensuring all of the following:



- All sides of the wall cut-out must be flat and level within a tolerance of 1/16" for every 36".
- If the pass-through will be floor-mounted, the floor underneath and surrounding the pass-through must also be flat and level within a tolerance of 1/16" for every 36".
- If the pass-through includes optional components that have been preinstalled, such as an exhaust flange or ULPA filter housing, these must be removed prior to installation (See *Section 4 Exhaust Flange or Filter Housing*).

Failure to comply with any of the instructions contained in this manual can result in damage to the unit or improper installation, rendering the pass-through inoperable.



Fire-Rated Pass-Through Chambers

© Copyright 2025 Terra Universal Inc. All rights reserved. • Revised Dec. 2025 • Document No. 1801-04

2. General information

Terra Universal Pass-Through Chambers allow room-to-room transfer of materials and samples without contamination. The modular-panel mounting system allows installation on any wall type (such as wood or masonry) and thickness, and keeps particle counts low by eliminating unnecessary room entry by personnel.

All cleanroom pass-throughs include a mechanical interlock system that minimizes the risk of cross-contamination. This device allows only one open door at a time, thus minimizing the amount of “dirty” air that can enter the cleanroom. General-use pass-throughs utilize a chamber-mounted interlock (also called a single-wall design). An isolated interlock (or double-wall design) simplifies cleaning and eliminates cracks that can harbor contaminants, making it ideal for the life sciences and clinical applications.



Figure 1: CleanSeam™ Fire-Rated Pass-through



Figure 2: Smart® CleanMount® Fire-Rated Wall Mount Pass-through



3. Installation

3.1 Wall Cut-Out

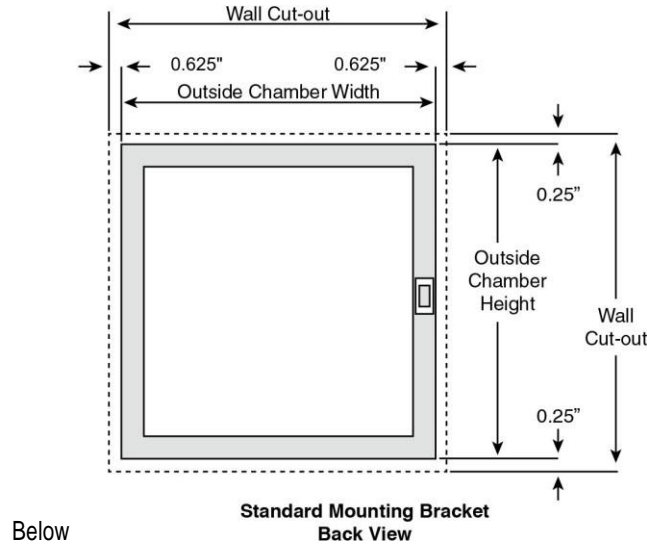


Figure 4: Pass-through with Standard Mounting bracket

1. Make a wall cut-out of the size specified in the table below.

Mounting Bracket Style	Wall Cut-Out Dimensions
Standard	Add 1/2" to the width and 1/2" to the height of the outside of the chamber

2. Add framing to the inside of the wall cut-out using a rigid support material, such as wood or metal.
3. Finish the wall cut-out with an appropriate substrate and finishing material. As a general rule, the wall cut-out should have the same grade of finishing as the wall it is installed in (e.g. cleanroom-grade materials).



Fire-Rated Pass-Through Chambers

© Copyright 2025 Terra Universal Inc. All rights reserved. • Revised Dec. 2025 • Document No. 1801-04

3.2 Standard Mounting Brackets

1. Terra Universal does not supply fastener hardware for the mounting brackets. Choose fasteners that are appropriate for mounting to your wall material (drywall or masonry, for example).
2. Prepare the wall cut-out as outlined in **Section 3.1**.
3. Loosen the pass-through from the shipping pallet by removing the small brackets attached on either side. See **Section 4** if your pass-through chamber includes an exhaust flange or filter housing for ventilation.
4. Slide the loose mounting bracket off of the body of the pass-through and set it aside. The other mounting bracket assembly is welded to the pass-through either 2" from one end (**standard mounting**) or near the middle (**center mounting**), depending on the wall thickness specified in the original order.
5. Insert the pass-through into the wall until the fixed (welded) mounting bracket is flush against the wall. Use a level to straighten the chamber and fasten the bracket to the wall through the pre-drilled holes. The number of fasteners needed depends on the size of the chamber.
6. From the "dirty" side, slide the loose mounting bracket onto the chamber and secure it to the wall with fasteners. Do not over-tighten the fasteners as this may bend the bracket and create gaps. Use silicone caulk or expansion foam to fill gaps as needed.
7. If the chamber protrudes from the wall by 24" or more, install the included support bracket(s) to the wall, below the chamber (See **Figure 11**). The body of the pass-through chamber rests upon the bracket and no fasteners required.
8. Check alignment of the pass-through chamber doors by following the procedures outlined in **Section 3.6 Door Alignment**.

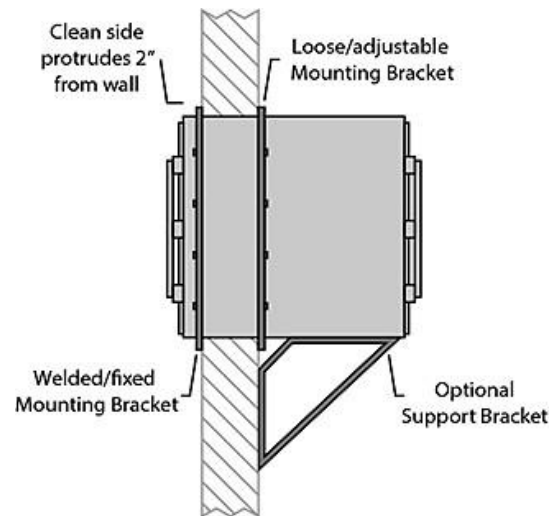


Figure 5: Diagram of installed pass-through with standard mounting brackets



Figure 6: Pass-through with standard mounting brackets, fastened to the wall



Fire-Rated Pass-Through Chambers

3.3 Fire-Rated or Ruggedized Pass-throughs



CAUTION

To ensure proper functioning of the self-closing door, the installer is responsible for the following:

- All sides of the wall cut-out must be flat and level.
- The fire-rated door must be tested before and after any fastening steps, including installing the mounting bracket and installing the support bracket (if a support bracket is used).
- Before fastening, the pass-through is checked with a level and shimmed where necessary.

Failure to comply with any of the instructions contained in this manual can result in improper installation or damage to the unit, rendering the pass-through inoperable.

Required Materials:

- Appropriate fasteners for wall type
- Level
- Shims
- Fire-rated caulking or expansion foam

1. Prepare the wall cut-out as outlined in **Section 3.1**.
2. See **Section 4** if your pass-through chamber includes an exhaust flange or filter housing for ventilation.
3. Insert the pass-through into the wall from either side until the attached bracket (flange) contacts the wall surface.
4. Ensure the bracket is flush against the wall and use a level to check the chamber positioning. If necessary, use shims to properly align the chamber in the wall cut-out.
5. Open the fire-rated door and locate the predrilled holes along the interior edge. Insert a fastener into the wall at each corner to temporarily tack the pass-through chamber in position.
6. Test the fire-rated door to ensure that it closes properly. Adjust the alignment of the pass-through as needed before proceeding with the installation.
7. After confirming proper functioning of the pass-through doors, install the remaining fasteners.
8. For large pass-throughs requiring a support bracket, install the support bracket now (See **Figure 8**). Support brackets should be positioned to press up against the bottom of the chamber and fastened to the wall only. The pass-through chamber should rest its weight on the bracket, without any fasteners piercing the body of the pass-through.
9. On the opposite side of the wall (the “dirty-side” where the pass-through body extends from the wall), slide the loose mounting bracket onto the body of the pass-through.
10. Fasten the bracket to the wall surface only. Do not over-tighten the fasteners as this may bend the bracket and create gaps.
11. Test the pass-through doors again for proper functioning.
12. After installation is complete, fire-rated caulking or expansion foam may be used to fill any remaining gaps, if needed.

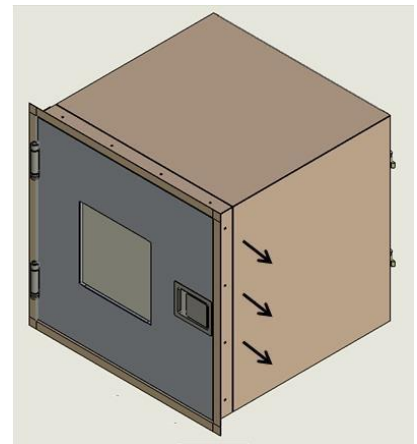


Figure 7: Open the chamber door to access the holes for fasteners



3.4 Floor-Mounted Pass-throughs



The floor underneath and surrounding the pass-through must be **flat and level** within a tolerance of 1/16" for every 36".

CAUTION An uneven floor surface may cause gaps to appear between the pass-through components and the floor.

1. Prepare the wall cut-out outlined in **Section 3.1**
2. For pass-throughs with standard mounting brackets, complete the installation instructions outlined in **Section 3.2**.
3. Align the floor ramps with the bottom of the pass-through so that the two notches on the rear of the ramp hook onto the studs below the pass-through doors. Push the ramp in until it is flush with the surface of the pass-through and then set it down. The pass-through door may need to be opened to ensure the ramp is fitted properly. No fasteners are required.



NOTE

Although the pass-through is designed to operate under positive pressure and assumes some leakage, silicone caulking may be used to fill any seams or gaps after the installation is complete.

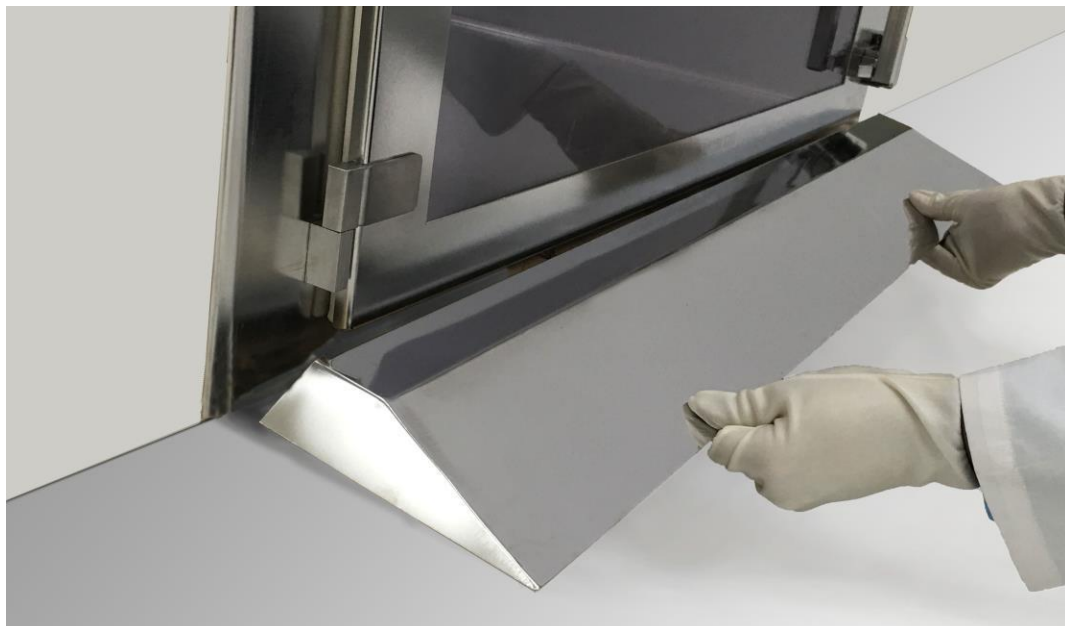


Figure 8: Hook the ramps on the studs at the bottom of the pass-through



Fire-Rated Pass-Through Chambers

3.5 Door Alignment

Pass-through chambers being installed in a cleanroom wall must be properly aligned to ensure proper operation of the latch and the interlock mechanism.

1. Align the pass-through chamber so that the front door latches are centered in the corresponding catch (see Figure 9). To align the chamber, one corner may need to be shimmed before bolting the mounting brackets to the wall.
2. Large chambers may include support frames with leveling feet. The feet adjacent to the cleanroom wall should be adjusted to support the chamber once the “clean” side door has been properly aligned.
3. Repeat this procedure for the opposite (i.e., “dirty”) door. Raise or lower the chamber corners until the door latch engages the center of the catch. Then adjust the support frame leveling feet to retain this alignment. If your installation includes support brackets, mount these to the chamber and the wall to achieve correct door alignment (See **Figure 6** in **Section 3.2** above).



Figure 9: Properly aligned LiftLatch

3.6 Door Removal/Installation

All fire-rated pass-throughs have lift-off hinges for ease of removal and installation.

1. For all single wall pass-throughs with lift-off hinges mounted to the side of the body, the door must be removed by lifting up.
2. The hinge attached to the body must be removed by removing 2 fasteners installed between the body and the hinge.
3. The pass-through can then be installed through the wall. Once installed, the hinge must be re-installed to the body using 2 fasteners per hinge.
4. The door can be installed by dropping it into the hinge. No hardware is removed from the door.

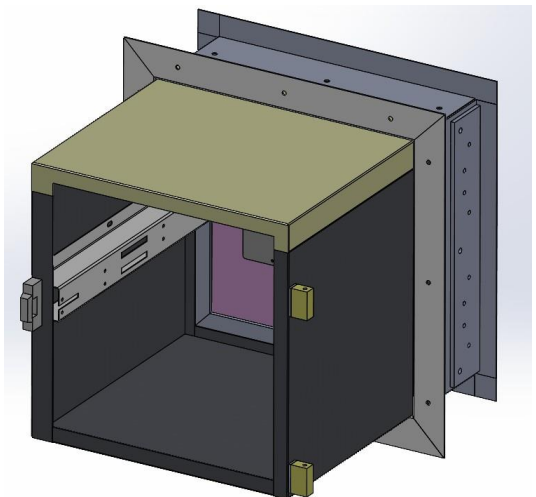


Figure 10: Render of fire-rated pass through with door properly removed



4. Exhaust Flange or Filter Housing

If the pass-through arrived with either an exhaust flange or an ULPA filter housing preinstalled, these features will need to be detached from the pass-through prior to installation to allow the pass-through to fit through the wall cut-out.



Figure 11: Exhaust Flange



Figure 12: ULPA Filter Housing

1. To remove the exhaust flange, unscrew the 8 domed cap nuts around the base of the flange and remove the flange (See **Figure 11**).
2. To remove the ULPA filter housing, unscrew the 4 domed cap nuts on either side of the housing and remove both the ULPA filter and the housing (See **Figure 12**).
3. Reinstall these features once the pass-through installation has been completed. Installation is the reverse of disassembly.



5. Recirculating Pass-Through

5.1 Operation

The recirculating HEPA-filtration general-use pass-through contains an added layer of protection against contamination for materials being transferred. The air return slots along bottom interior of the chamber circulate air back through the built-in fan and HEPA filter. By recirculating the interior air, airborne particles are rapidly removed by successive passes through the HEPA filter. The HEPA filter removes contaminating particles of 0.3 um or larger at 99.97% efficiency. A speed control knob allows adjustment of the blower RPM increasing the airflow and pressure within the chamber. The brushless DC fan motor is clean, quiet and energy efficient. The interior chamber provides quick access for HEPA filter maintenance and replacement.

For installation instructions including wall cut-out and mounting, refer to **Section 3**.



A certified electrician needs to complete installation of pass-through by hard wiring the power cable to the circuit – this step provides power to pass-through for proper unit operation.



Figure 13: Wall-mounted HEPA-filtered pass-through

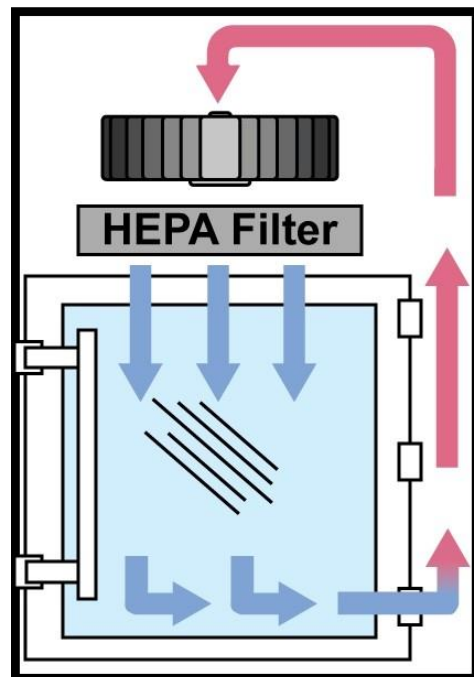


Figure 14: Diagram of recirculating HEPA-filtered airflow in pass-through chamber



Fire-Rated Pass-Through Chambers

© Copyright 2025 Terra Universal Inc. All rights reserved. • Revised Dec. 2025 • Document No. 1801-04

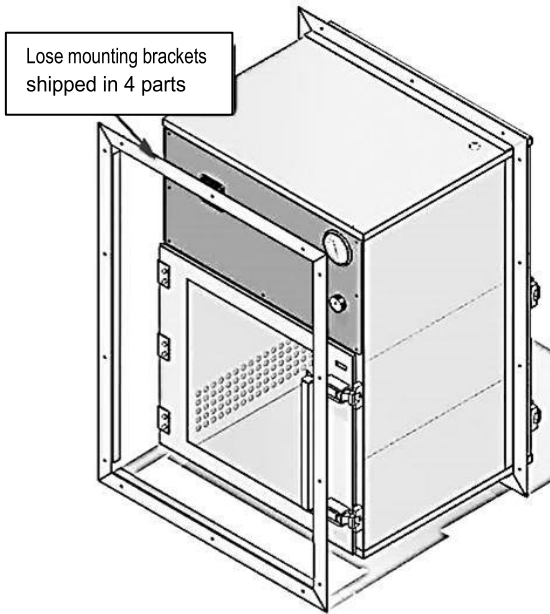


Figure 15: Rear bracket assembly for pass-through

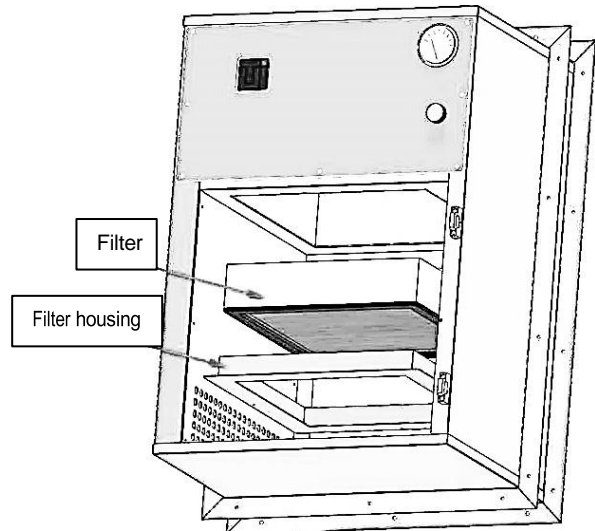


Figure 16: Filter housing inside pass-through

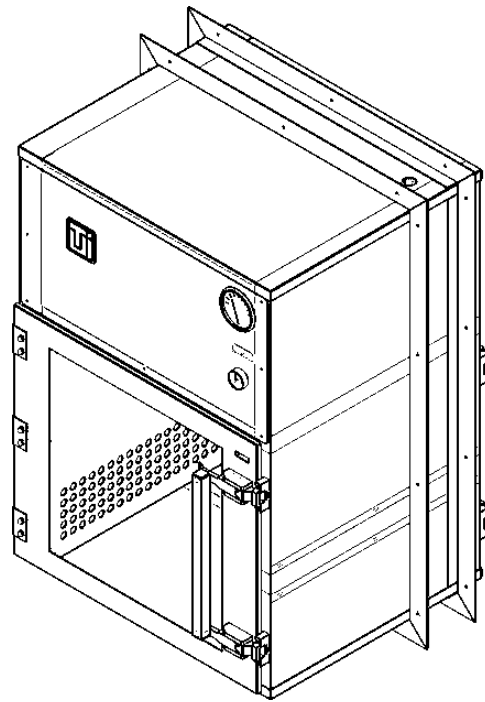


Figure 17: Pass-through with HEPA filter installed



5.2 Filter Replacement



NOTE

The filter should be replaced when the minihelic reads a value of 1 W.C

1. Remove the screws from the filter housing plate to access filter.
2. Gently let the used filter drop down, and set aside. The filter assembly is surrounded by a channel containing gel seal (See **Figure 18**).
3. Position your new filter carefully before pushing into place; the knife-edge of the fan module should be centered in the channel (equal amounts of gel on both sides).
4. Reinsert screws to mount the filter housing plate inside pass-through.
 - a. Caulk edges if any leakage.



Figure 18: Filter inside pass-through



6. Operation

6.1 Interlock System



The operator should always verify that the opposite door is fully shut prior to opening a door. Do not yank, shake, or apply excessive force to the doors. Attempting to force open a door while the mechanical interlock is engaged may result in damage to the unit.

The FirmLok™ mechanical interlock system will prevent both doors from being opened at the same time. This system cannot be disabled, so it is important that operators fully close and latch the pass-through door after use.

6.2 Maintenance



- Do not clean acrylic with alcohol or other strong cleaning agents.
- Do not expose static-dissipative PVC to extreme heat or direct sunlight.

The FirmLok™ mechanical interlock system is maintenance-free and rated for over 100,000 operations. If the interlock system malfunctions, please contact Terra Universal.

6.3 Cleaning

Acrylic and Static-Dissipative PVC Windows

Acrylic and static-dissipative PVC should be periodically cleaned with clean, lukewarm water and a clean nonabrasive cloth. If desired, a mild, non-abrasive detergent may also be used. Use only light pressure when cleaning. If the outside of the acrylic is exceptionally dirty or gritty, rinse the surface first by lightly swabbing a saturated cloth over the surface and allowing surfactants to drain away. Avoid rubbing dirt or grit into the surface. Turn the cloth often and replace with a clean cloth frequently. Dry the acrylic by blotting gently with a clean, dry cloth.

Stainless Steel

Clean stainless steel surfaces with alcohol (or similar cleaning agent) and a damp cloth. Terra recommends use of knitted polyester wipers or spun-lace, non-woven blends of cellulose and polyester manufactured and packaged specifically for cleanroom use. These products are manufactured under tightly controlled conditions that restrict the use of binders or chemical treatments that can outgas, and cleanroom packaging and strict lot control ensure optimal cleanliness.

Less critical environments (ISO 6 – 8 / Class 1000 – 100,000) generally tolerate more absorbent materials made of 100% cotton twill or cellulose.

Clean surfaces with clean, lukewarm water with or without a mild, non-abrasive detergent. In critical cleanroom applications, DI water or isopropyl alcohol may be required. For thorough, repeatable results, avoid cleaning with a circular motion, which rubs dirt or grit into the surface. Using mild pressure wipe in one direction, from top to bottom or side to side, in slightly overlapping strokes. Fold the wiper between strokes, and replace with a clean wiper often. If cleaning with isopropyl alcohol or a similar cleaning agent, perform a full wipe-down of the sanitized area with deionized water.



*Installation and Operating
Guide*

Fire-Rated Pass-Through Chambers

© Copyright 2025 Terra Universal Inc. All rights reserved. • Revised Dec. 2025 • Document No. 1801-04

Cavicide, Caviwipes, and similar products contain ethylene glycol and benzethonium chloride, which are caustic chemicals that corrode stainless steel if not rinsed with water. After disinfecting with ethylene glycol or benzethonium chloride products, the affected area must be fully wiped down with deionized water and dried.

7. Warranty

<https://www.terrauniversal.com/warranty>



*Thank you for ordering from
Terra Universal!*



Fire-Rated Pass-Through Chambers

Appendix: Installation Qualification Checklist

To confirm proper installation, fill out the checklist below for each pass-through installed. Note any suspected damage, deviations from installation procedures, or performance issues in the Comments section. Equipment is found to be acceptable only when all installation criteria have been accepted and the document signed by the relevant parties.

Installation Checklist

Verify the following:	Check if Confirmed and Accepted	Performed by / Date
All mounting brackets are secured tightly against the wall		
Support brackets (if provided) have been installed below the pass-through		
No gaps larger than 1/16" exist between the pass-through and the wall/floor surface		
Pass-through doors open smoothly and close completely, with the latch centered in the corresponding catch		
The seal/gasket on the inside of each door is intact, fully adhered to the door, and seats tightly against the face of the pass-through without visible gaps		
The interlock functions properly, preventing the door from opening when the opposite door is also open		
The interior of the pass-through is clean and clear of any debris from installation		
Floor ramps (if provided) have been positioned at the base of the pass-through		

Performed by: _____ Date: _____

Reviewed by: _____ Date: _____

Comments: