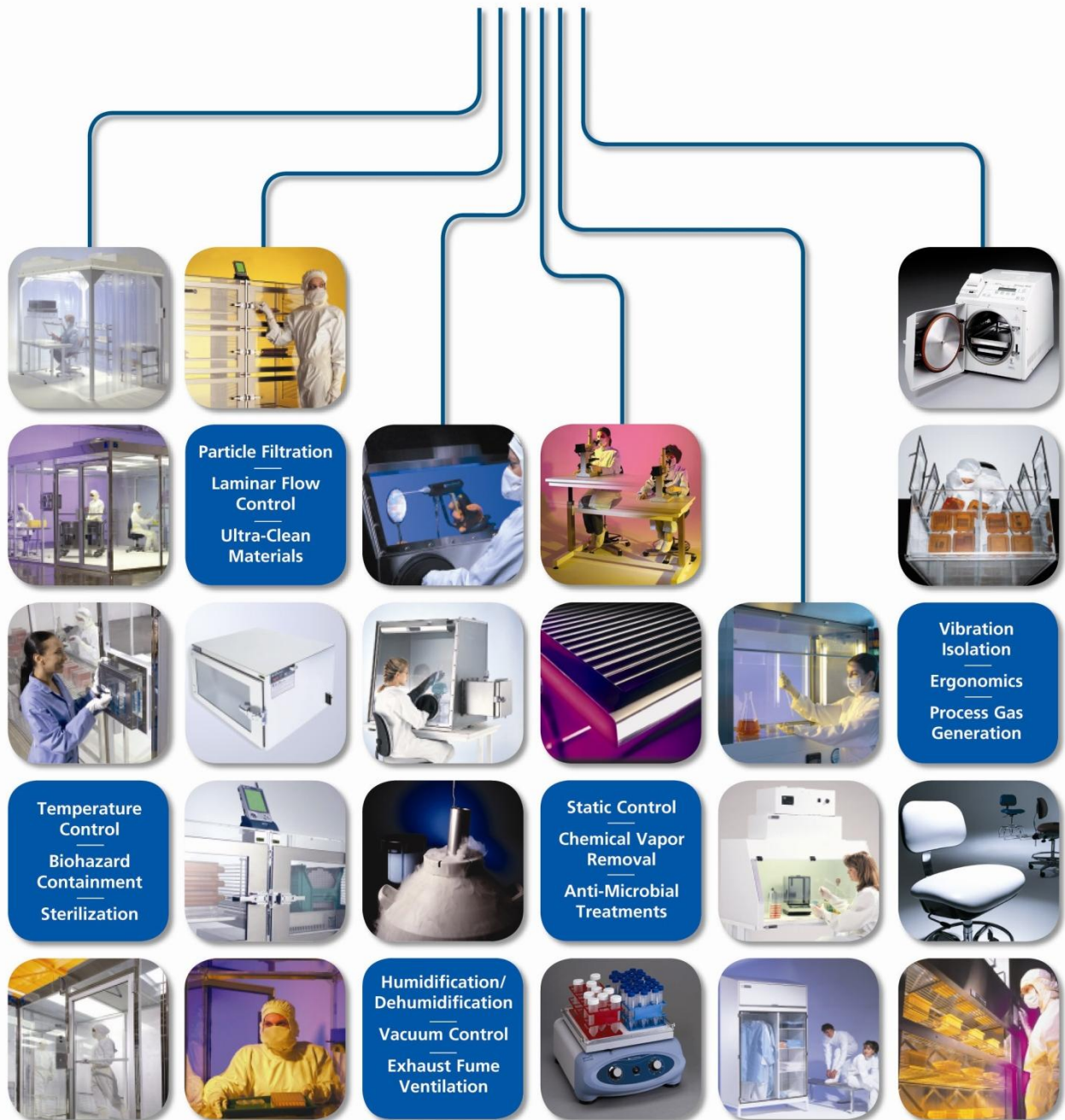


ValuLine® Air Conditioner for Cleanrooms

© Copyright 2026 Terra Universal Inc. All rights reserved. • Revised February 2026

Your Comprehensive Equipment Source





Installation Guide

ValuLine[®] Air Conditioner

© Copyright 2026 Terra Universal Inc. All rights reserved. • Revised February 2026 • Document No. [1801-02](#)
[1800-53](#)

Table of Contents

| | | |
|------------|---|-----------|
| 1.0 | Introduction | 3 |
| 2.0 | Description | 3 |
| 3.0 | Specifications | 4 |
| 4.0 | Installation on an H-Frame | 5 |
| 4.1 | <i>Parts of the H-Frame</i> | 5 |
| 4.2 | <i>Assembling the H-Frame</i> | 6 |
| 5.0 | Spare Parts | 12 |
| 6.0 | Warranty | 12 |



Proprietary Notice

This manual pertains to proprietary devices manufactured by Terra Universal, Inc. Neither this document nor any portion of it may be reproduced in any way without prior written permission from Terra Universal.

Terra Universal makes no warranties applying to information contained in this manual or its suitability for any implied or inferred purpose. Terra Universal shall not be held liable for any errors this manual contains or for any damages that result from its use.

Safety Notice

A thorough familiarity with all operating guidelines is essential to safe operation of the product. Failure to observe safety precautions could result in poor performance, damage to the system or other property, or serious bodily injury or death.



CAUTION

Cautions are used when failure to observe instructions could result in significant damage to equipment.



WARNING

Warnings are used when failure to observe instructions or precautions could result in injury or death.

The following symbols are intended to call your attention to two levels of hazard involved in operation:

The information presented here is subject to change without notice.

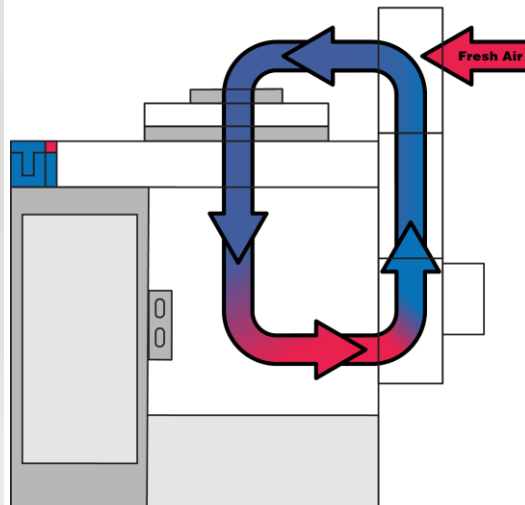
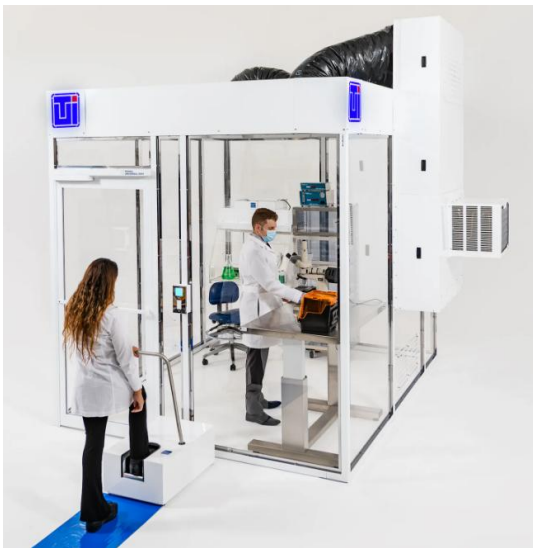
1.0 Introduction

This manual provides information on installation and operation of Terra Universal's ValuLine® Air Conditioner.

For Terra's complete line of HVAC options, please visit <https://www.terrauniversal.com/cleanroom-air-ventilation-and-conditioning-systems-hvac.html>

2.0 Description

Terra's ValuLine® Wall-Mount Air Conditioner features an efficient recirculating airflow design to quickly and efficiently cool your cleanroom. The air conditioner uses a mixture of recirculated cleanroom air and ambient air. Ambient air feeds through the damper on top of the unit. The air conditioned air is ducted to the fan filter unit (FFU) where it is pushed through a HEPA/ULPA filter before entering the cleanroom, and beginning the cycle again.





ValuLine® Air Conditioner

- Quiet, low-vibration air conditioner design: down to 44 dB
- Efficient recirculating air design cools down the cleanroom quicker
- Connect via ducting to a maximum of 3 Terra Fan Filter Units (sold separately)
- 3-in-1 operation: cool/fan/dry
- Dual Inverter technology runs off of two rotors instead of one to offer a faster cooling, energy efficient operation.
- 4 cooling and fan speeds with auto cool.
- Removable, washable pre-filter, with filter check reminder light.
- Smartphone control.
- 24-hour on/off timer.
- Adjustable air damper regulates airflow of the unit.
- ENERGY STAR Certified - up to 50% energy savings.
- Air conditioner unit
- Retrofittable to most Terra Universal cleanrooms (screwed into the cleanroom's H-frame 46.625" opening)

3.0 Specifications

| 6600-14, ValuLine® Air Conditioner 14,000 BTU, 115V | |
|---|----------------------|
| BTU | 14,000 |
| Est. Cooling Area | 800 sq. ft. |
| Electrical Requirements | 115V, 60Hz, 11A, 1Ph |

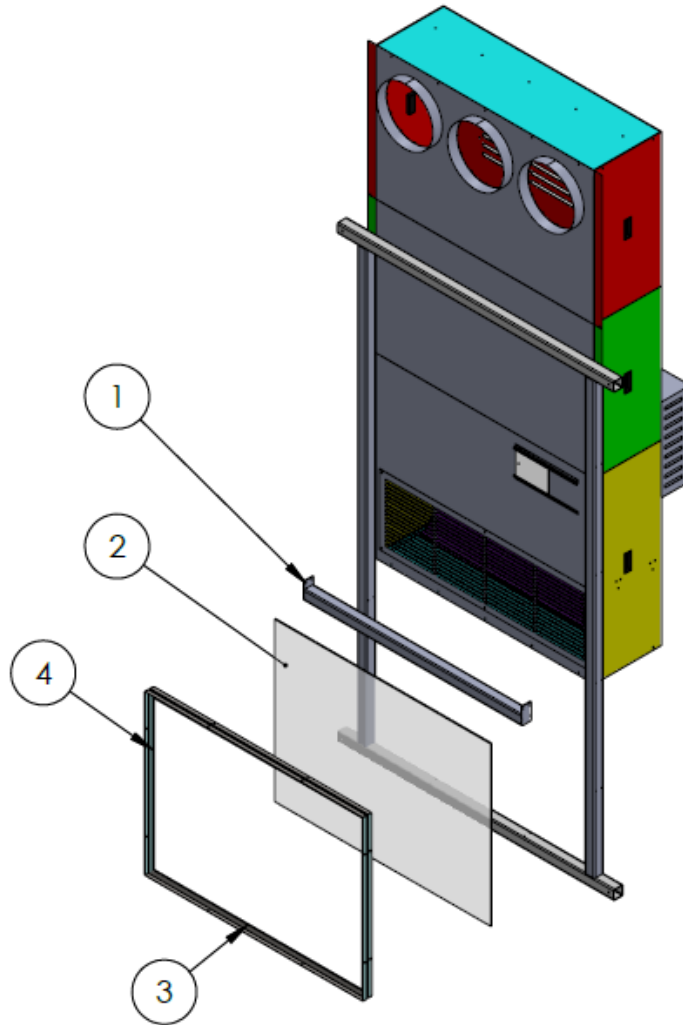
| 6600-52, ValuLine® Air Conditioner 23,500 BTU, 230V | |
|---|----------------------|
| BTU | 23,500 |
| Est. Cooling Area | 1,440 sq. ft. |
| Electrical Requirements | 230V, 60Hz, 11A, 1Ph |



4.0 Installation on an H-Frame

4.1 Parts of the H-Frame

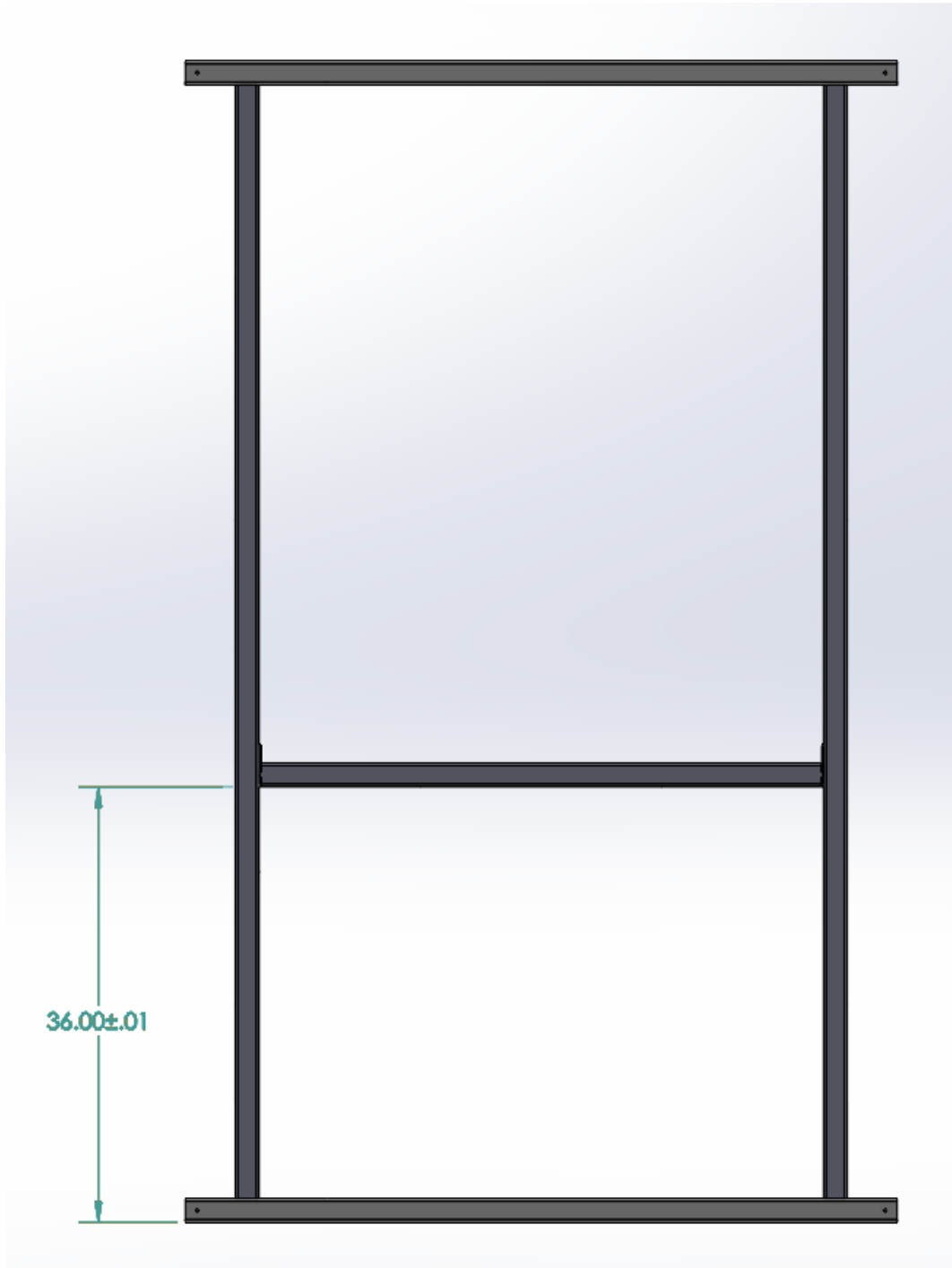
- Item 1: Horizontal beam for AC (CR08513)
- Item 2: SDPVC panel from 11' cleanrooms (CR00174-000-SD)
- Item 3: Horizontal trim (CR00148-000)
- Item 4: Vertical trim (CR00140-002)





4.2 Assembling the H-Frame

From a cleanroom's H-frame, mount the horizontal beam (Item 1) 36" from the floor.



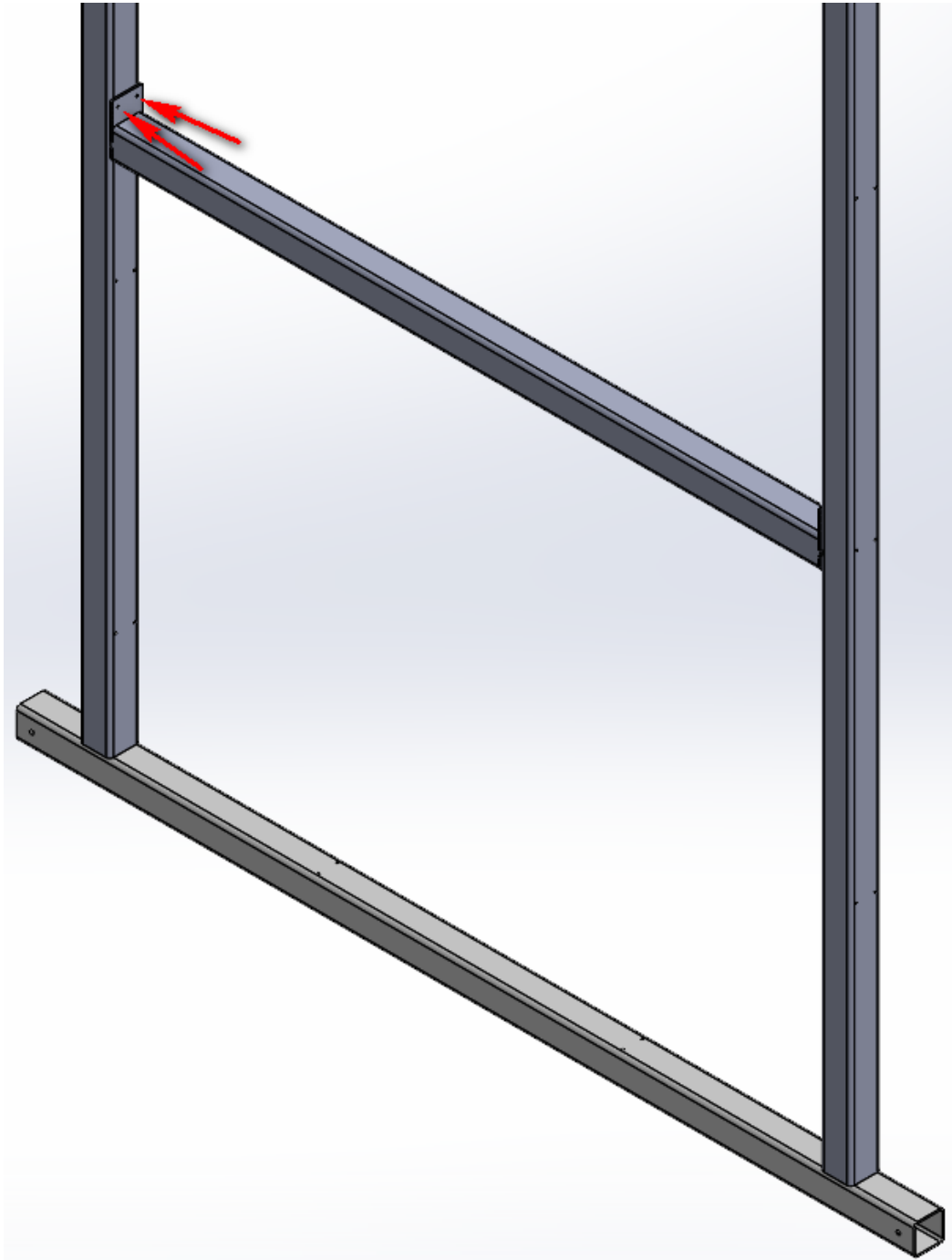


Installation Guide

ValuLine[®] Air Conditioner

© Copyright 2026 Terra Universal Inc. All rights reserved. • Revised February 2026 • Document No. [1801-02](#)
[1800-53](#)

The H-frame does not have pre-drilled holes to install the air conditioner unit, so it is recommended to use self-tapping sheet metal screws to attach the horizontal beam to the frame. See below.



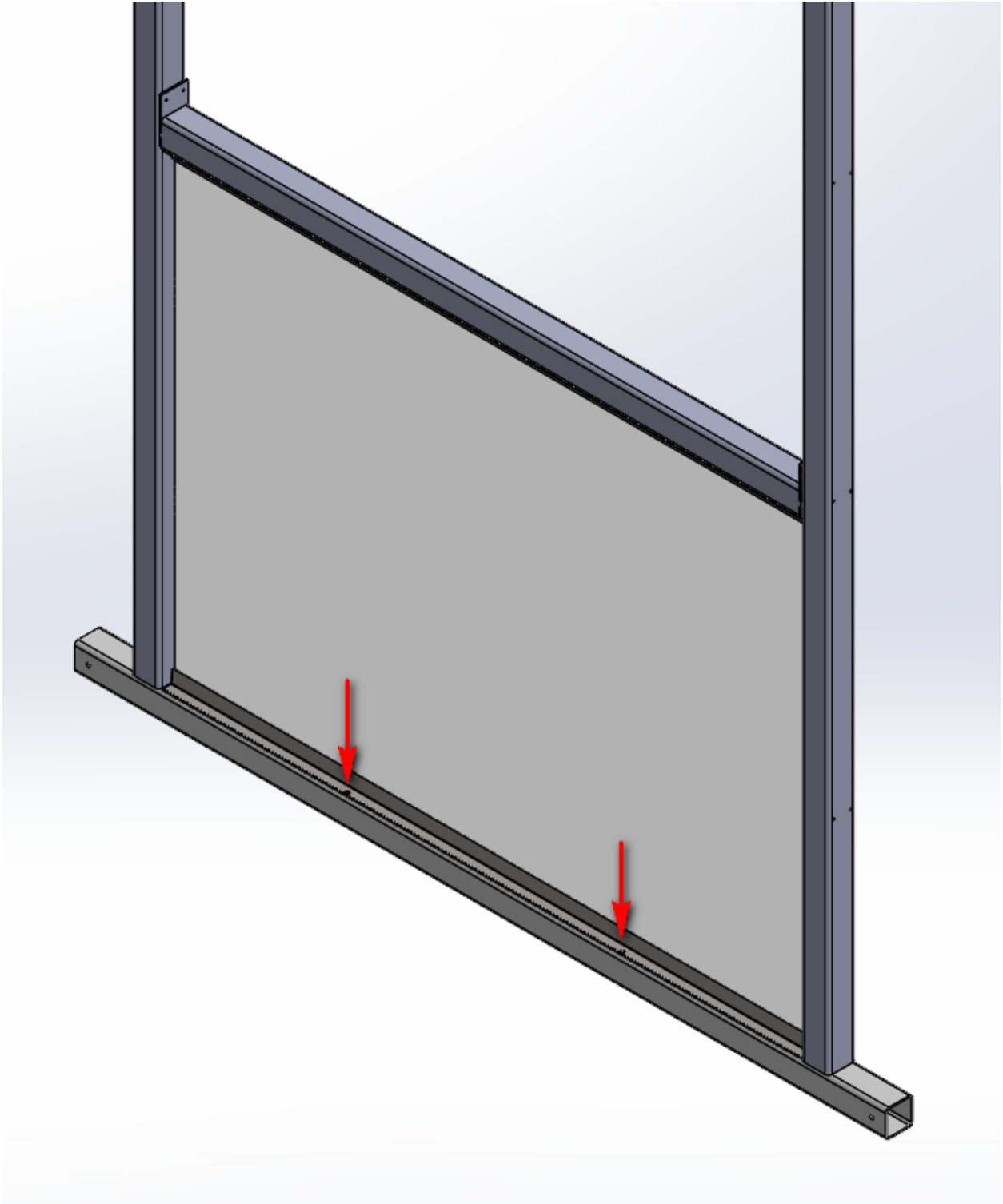


Installation Guide

ValuLine[®] Air Conditioner

© Copyright 2026 Terra Universal Inc. All rights reserved. • Revised February 2026 • Document No. [1801-02](#)
[1800-53](#)

Place the horizontal trim (Item 3) and SDPVC panel (Item 2) below the horizontal trim, using the pre-drilled holes and the sheet metal screws.



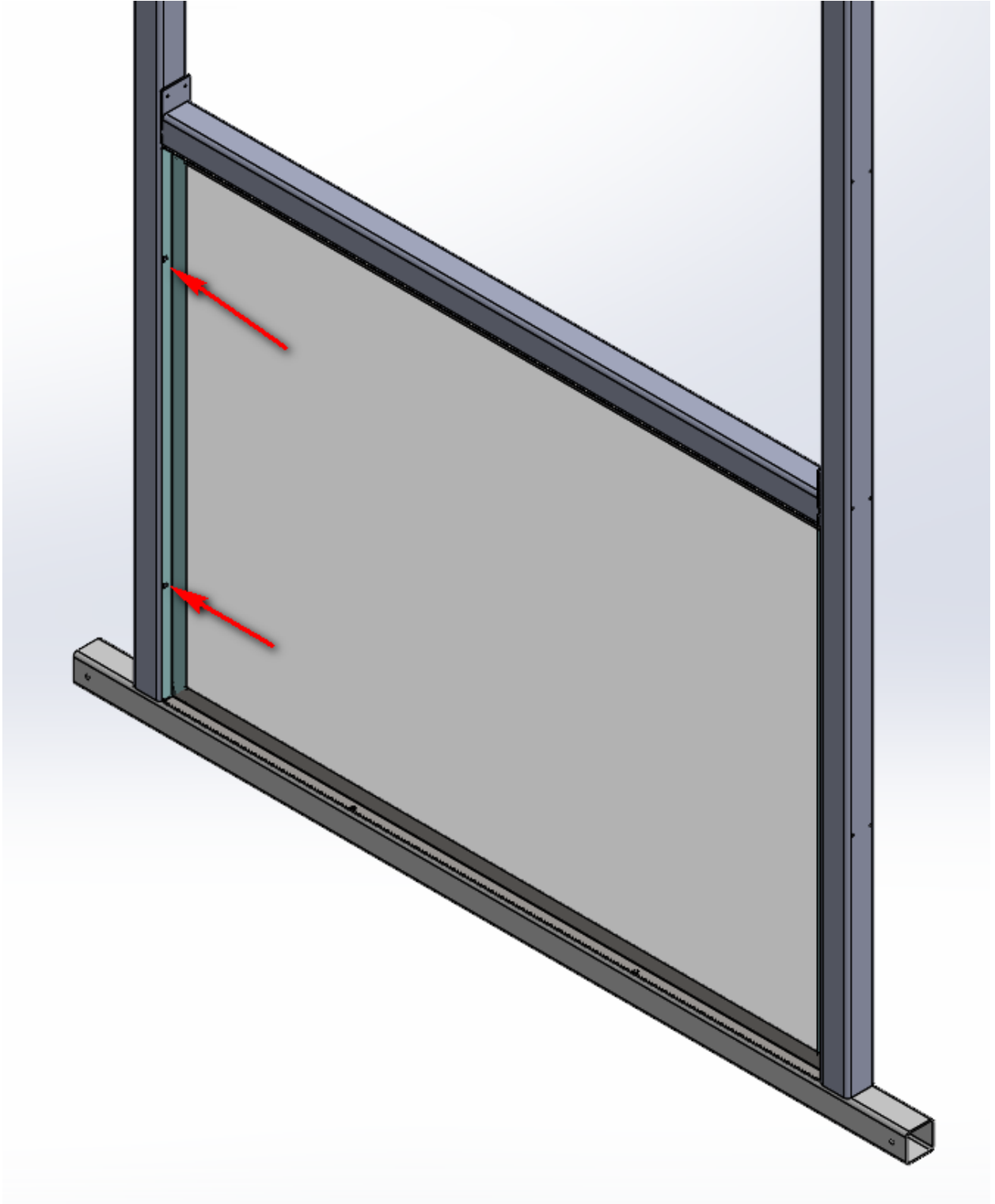


Installation Guide

ValuLine[®] Air Conditioner

© Copyright 2026 Terra Universal Inc. All rights reserved. • Revised February 2026 • Document No. [1801-02](#)
[1800-53](#)

Place the vertical trim (Item 4) and attach them using the sheet metal screws (no pre-drill holes).



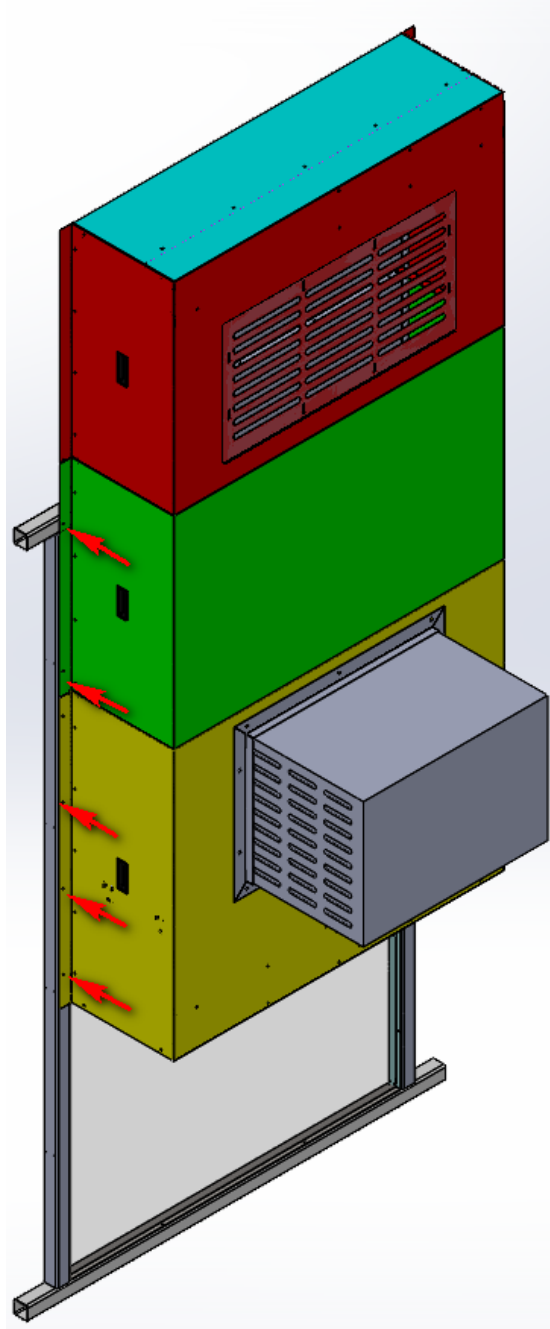


Installation Guide

ValuLine[®] Air Conditioner

© Copyright 2026 Terra Universal Inc. All rights reserved. • Revised February 2026 • Document No. [1801-02](#)
[1800-53](#)

The bottom of the AC plenum should be flush with the bottom of the horizontal beam (36" from the floor), use the sheet metal screws to attach it to the frame (**frame does not have pre-drilled holes**).



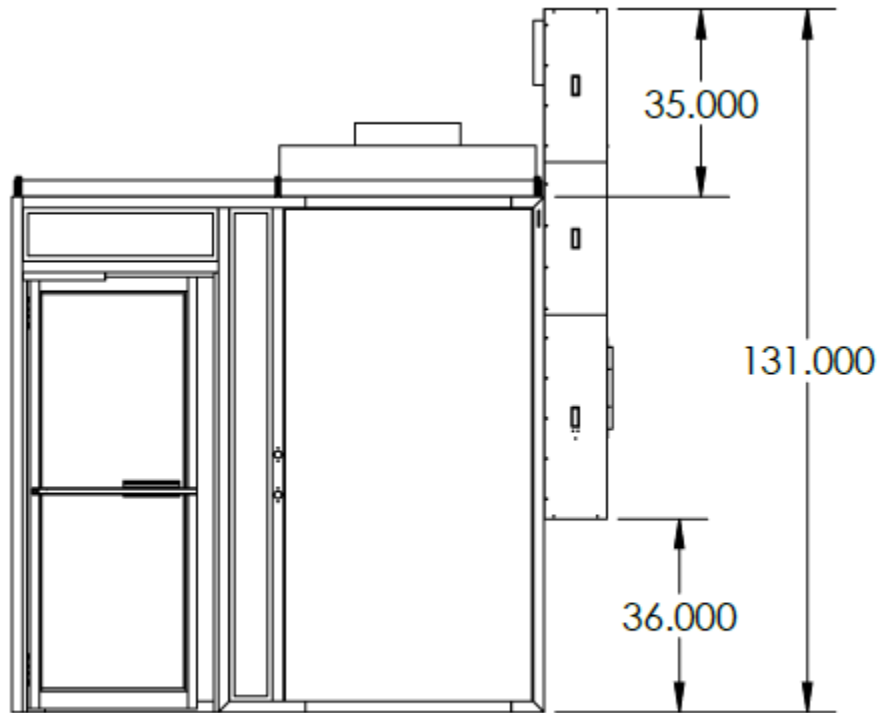


Installation Guide

ValuLine® Air Conditioner

© Copyright 2026 Terra Universal Inc. All rights reserved. • Revised February 2026 • Document No. [1801-02](#)
[1800-53](#)

NOTE: The ValuLine® Air Conditioner unit can be installed at a different height to accommodate to specific facility dimensions, but it is the customer's responsibility to modify the cleanroom (i.e. cut panels and trims).



FRONT VIEW



5.0 Spare Parts

Parts are already included with a ValuLine[®] Air Conditioner purchase, but can be re-ordered if needed.

| Air Conditioner Subassembly Parts | | |
|-----------------------------------|----------------|----------|
| Part Name | Part Number | Quantity |
| Horizontal Beam for AC | CR08513 | 1 |
| SDPVC Top Frame Panel | CR00174-000-SD | 1 |
| Horizontal Trim | CR00148-000 | 4 |
| Vertical Trim | CR00140-002 | 4 |

6.0 Warranty

<https://www.terrauniversal.com/warranty>



*Thank you for ordering from
Terra Universal!*