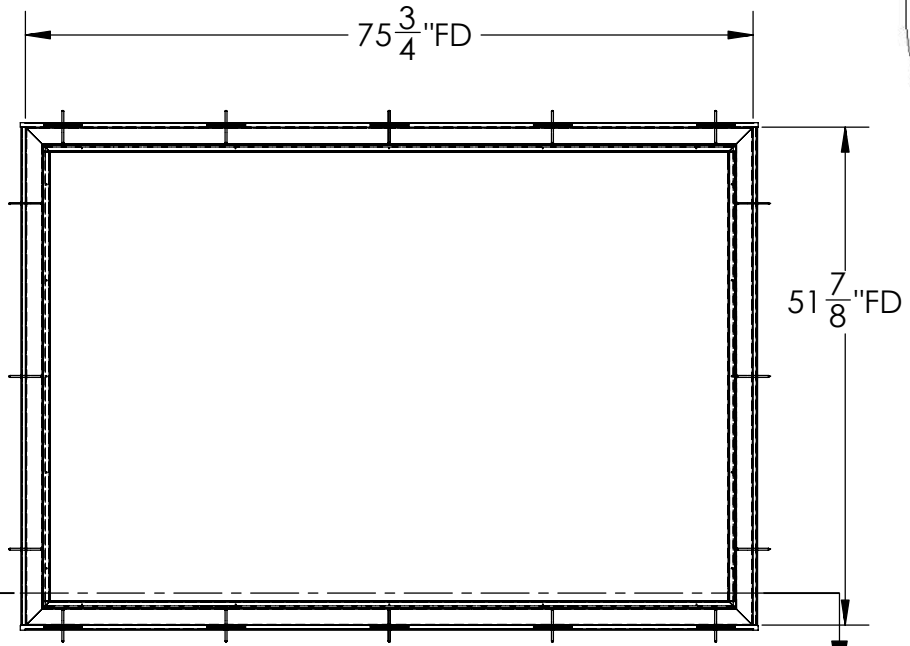
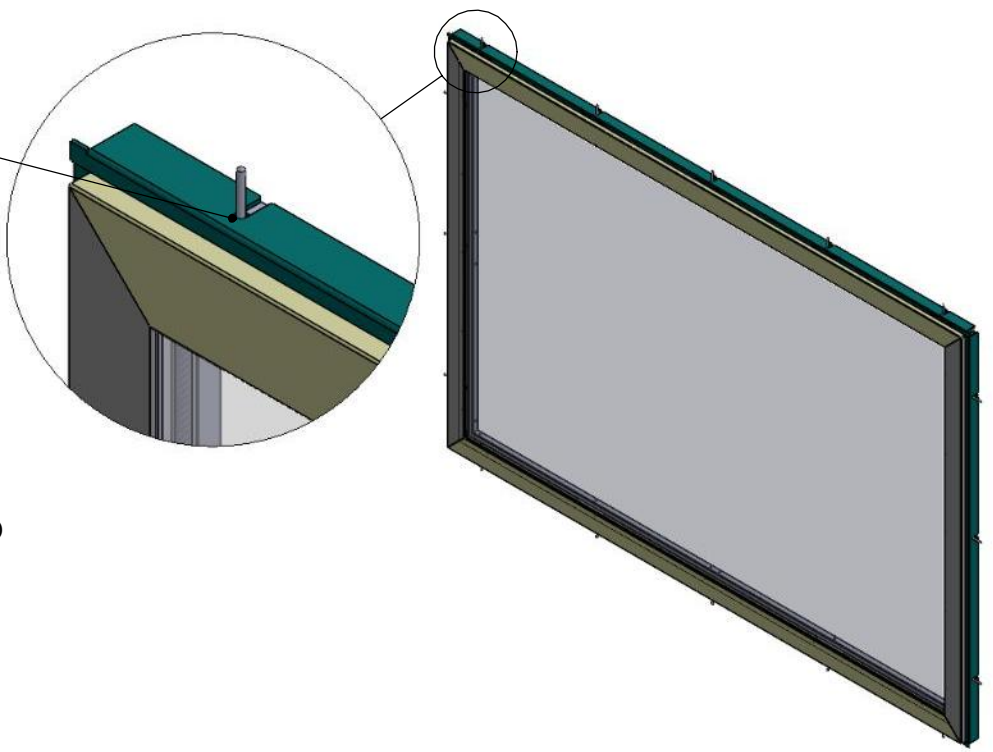
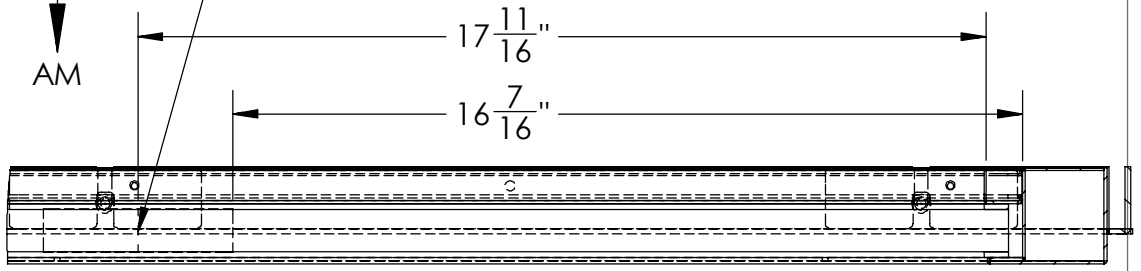


STACK SHIMS BETWEEN OUTER TRIM AND FRAME ON ALL ANCHOR POINTS TO CENTER FRAME IN ROUGH OPENING



PLACE SETTING BLOCKS ON QUARTER POINTS OF DAYLIGHT OPENING (DLO)

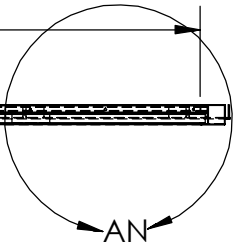


AM

AM

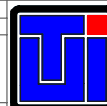
70 $\frac{5}{8}$ " DLO

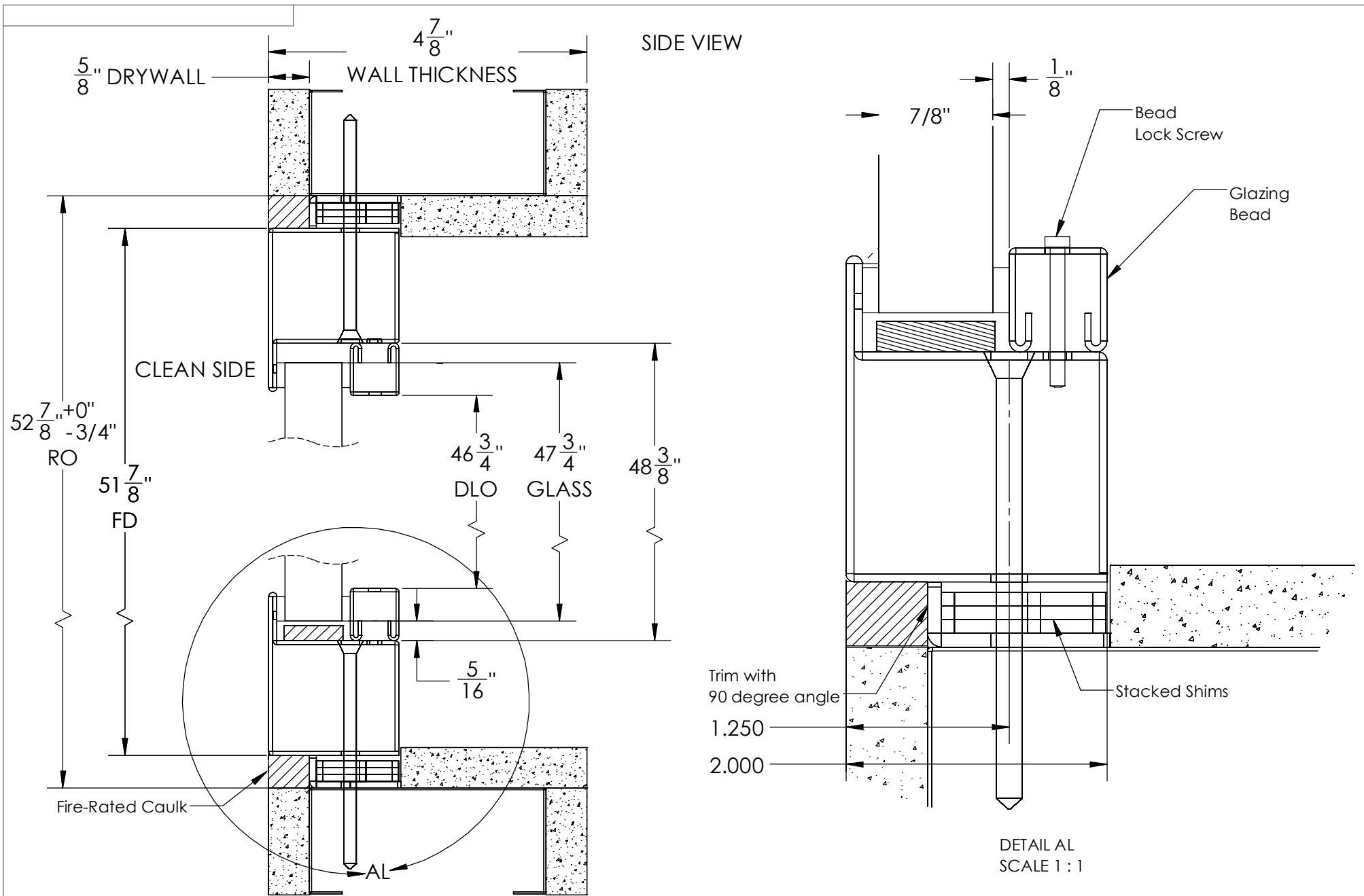
SECTION AM-AM



AN

DETAIL AN
SCALE 1 : 4

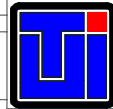
REVISIONS				MATERIAL SPEC.	FINISH SPEC.	UNLESS OTHERWISE SPECIFIED, DIMENSIONS ARE IN INCHES TOLERANCES ON:	 Terra Universal <small>Proprietary & Confidential All rights reserved by TERRA UNIVERSAL Disclosure or Copying Prohibited</small>	TITLE	
RV#	DESCRIPTION	DATE	BY					A	-
NC	INITIAL RELEASE	8-26-22	JR			.XX DECIMALS ± .03 X° ± 1°			FIRE RATED WINDOW 45 MIN
						.XXX DECIMALS ± .010 XX ± 1/64			
						SIGNATURES	DATE		
						ISSUED BY: JR	3/14/2023		
						REF #:			
								SCALE	SHEET 2 OF 16



REVISIONS			
RV#	DESCRIPTION	DATE	BY
NC	INITIAL RELEASE	8-26-22	JR
○			

MATERIAL SPEC.	FINISH SPEC.

UNLESS OTHERWISE SPECIFIED, DIMENSIONS ARE IN INCHES	
TOLERANCES ON:	
.XX DECIMALS ±	.03 X° ± 1°
.XXX DECIMALS ±	.010 XX ± 1/64
SIGNATURES	
ISSUED BY:	DATE
JR	3/14/2023
REF #:	
-	



**Terra
Universal**

Proprietary & Confidential
All rights reserved by
TERRA UNIVERSAL
Disclosure or Copying Prohibited

TITLE	
FIRE RATED WINDOW 45 MIN	
A	-
SCALE	-
	SHEET 3 OF 16

