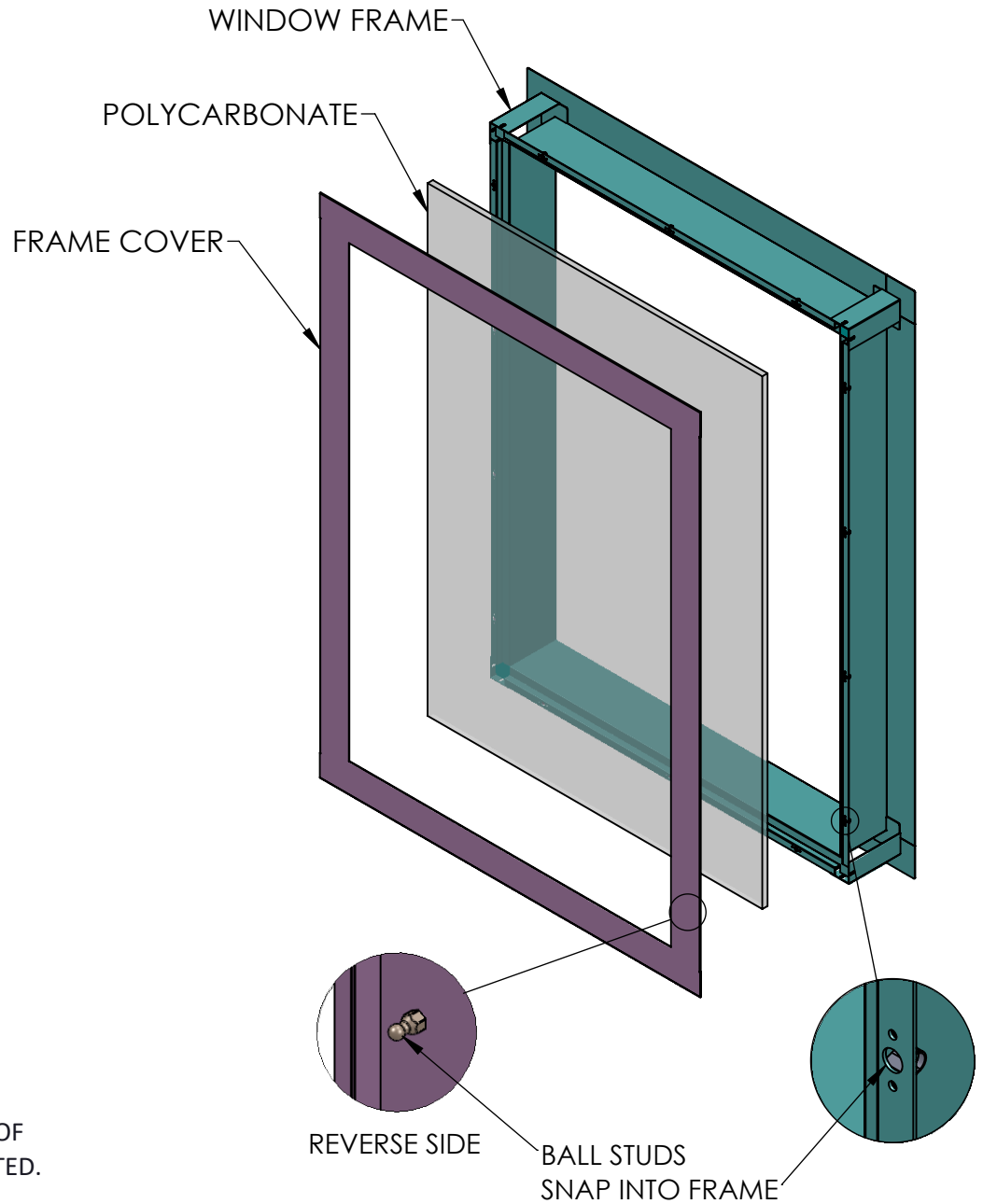

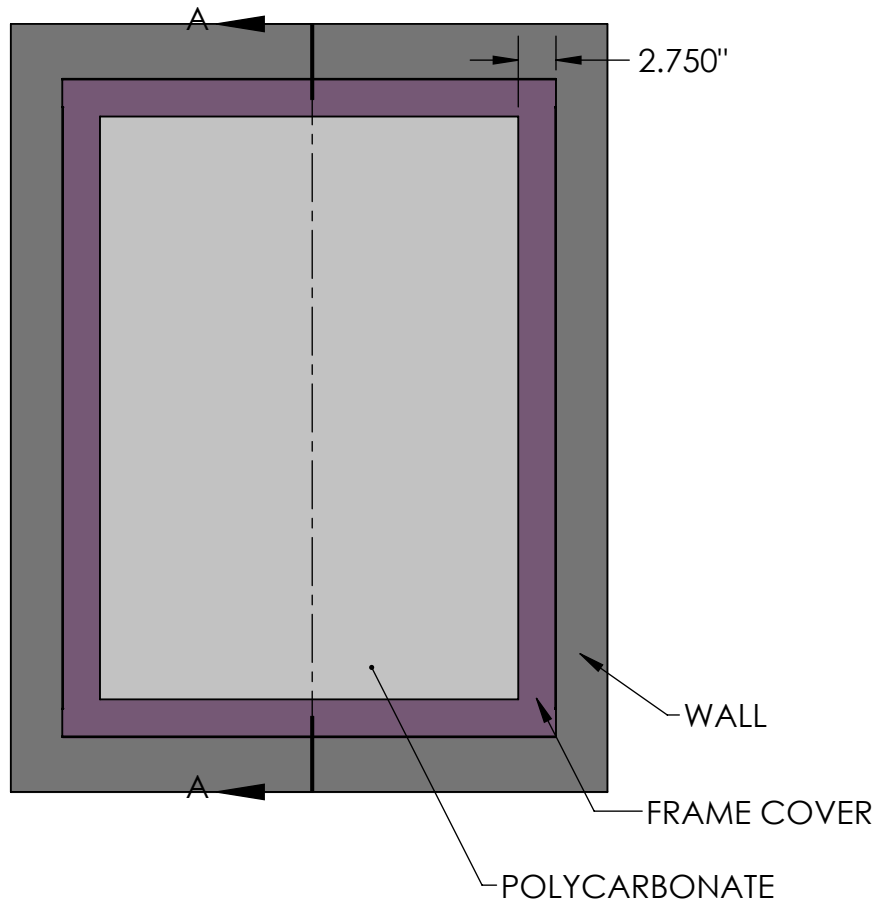


FRONT VIEW

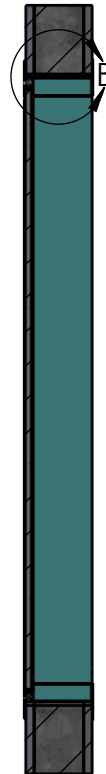


PROPRIETARY:
THE INFORMATION CONTAINED IN THIS DRAWING IS THE SOLE PROPERTY OF
TERRA UNIVERSAL. COPYING, REPRODUCTION, FABRICATION ARE PROHIBITED.
© 2021 TERRA UNIVERSAL, INC. ALL RIGHTS RESERVED.

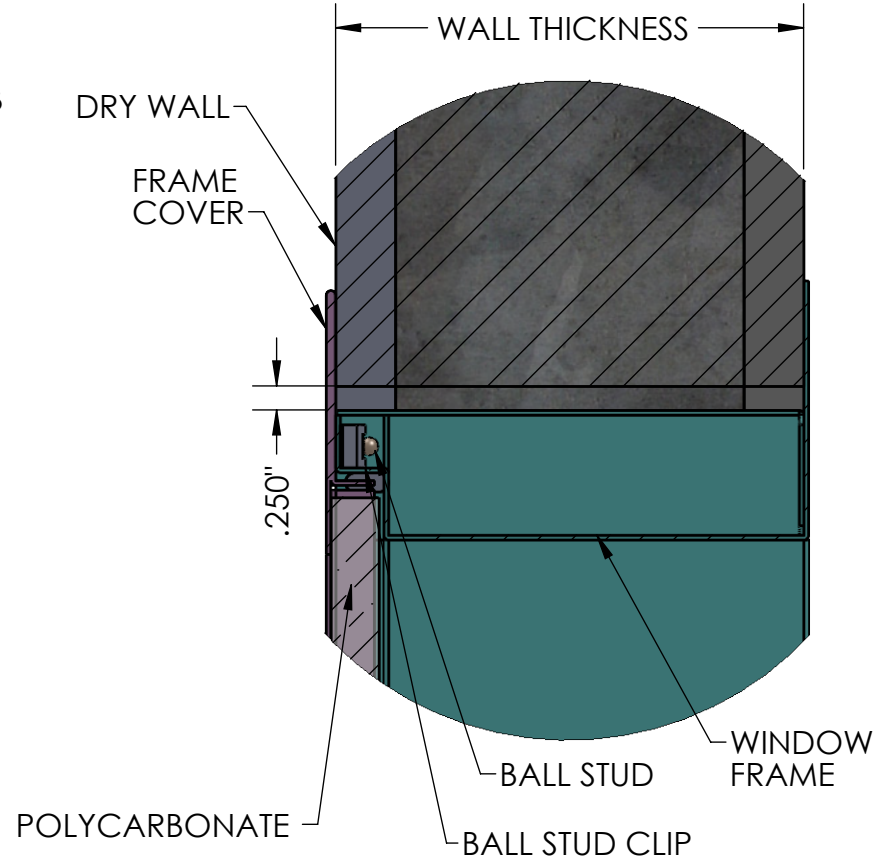
REVISIONS				MATERIAL SPEC.	FINISH SPEC.	UNLESS OTHERWISE SPECIFIED, DIMENSIONS ARE IN INCHES		 Terra Universal	TITLE
RV#	DESCRIPTION	DATE	BY	304SS	#4 FINISH	TOLERANCES ON:			BioSafe Framed Cleanroom Window; Single Pane, Polycarbonate, 304 Stainless Steel Framed
NC	INITIAL RELEASE	3/2/21	DN	1/2" POLYCARBONATE		.XX DECIMALS ± .03	X' ± 1"		
						.XXX DECIMALS ± .010	X/X ± 1/64		
						SIGNATURES		DATE	
						ISSUED BY: DONALD NELSON		3/2/21	
						REF #:			
								<small>PROPRIETARY & CONFIDENTIAL ALL RIGHTS RESERVED BY TERRA UNIVERSAL DISCLOSURE OR COPYING PROHIBITED</small>	SCALE: A
								6611-03	SHEET 1 OF 2



FRONT VIEW




**SECTION A-A
SCALE 1 : 14**



**DETAIL B
SCALE 1 : 2**

PROPRIETARY:
THE INFORMATION CONTAINED IN THIS DRAWING IS THE SOLE PROPERTY OF
TERRA UNIVERSAL. COPYING, REPRODUCTION, FABRICATION ARE PROHIBITED.
© 2021 TERRA UNIVERSAL, INC. ALL RIGHTS RESERVED.

REVISIONS				MATERIAL SPEC.	FINISH SPEC.	UNLESS OTHERWISE SPECIFIED, DIMENSIONS ARE IN INCHES		 Terra Universal	TITLE
RV#	DESCRIPTION	DATE	BY	304SS	#4 FINISH	TOLERANCES ON:			BioSafe Framed Cleanroom Window; Single Pane, Polycarbonate, 304 Stainless Steel Framed
NC	INITIAL RELEASE	3/2/21	DN	1/2" POLYCARBONATE		.XX DECIMALS ± .03	X' ± 1"		
○						.XXX DECIMALS ± .010	X/X ± 1/64		
						SIGNATURES		DATE	
						ISSUED BY: DONALD NELSON		3/2/21	
						REF #:			
								<small>PROPRIETARY & CONFIDENTIAL ALL RIGHTS RESERVED BY TERRA UNIVERSAL DISCLOSURE OR COPYING PROHIBITED</small>	A 6611-03
								SCALE	SHEET 2 OF 2