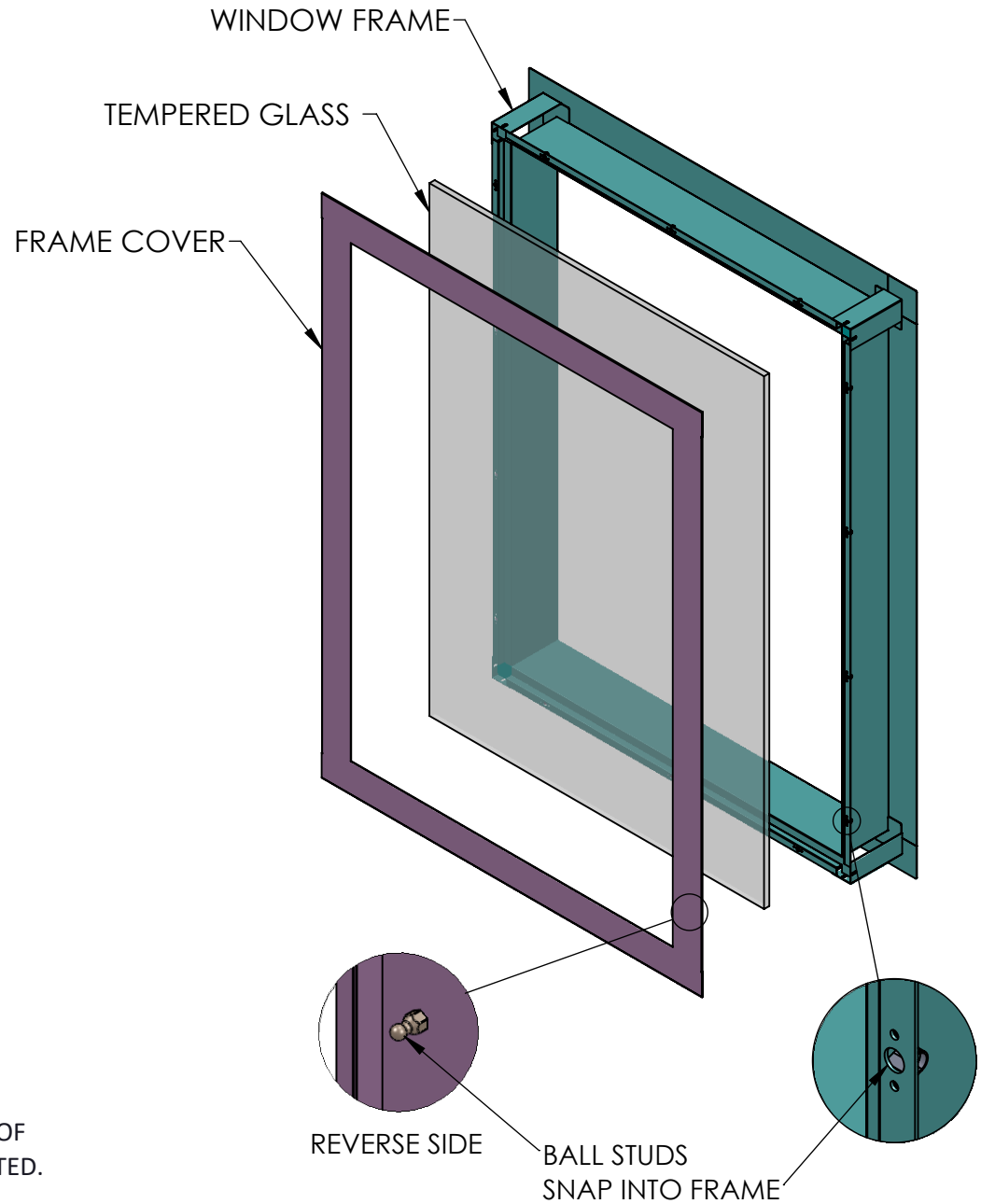

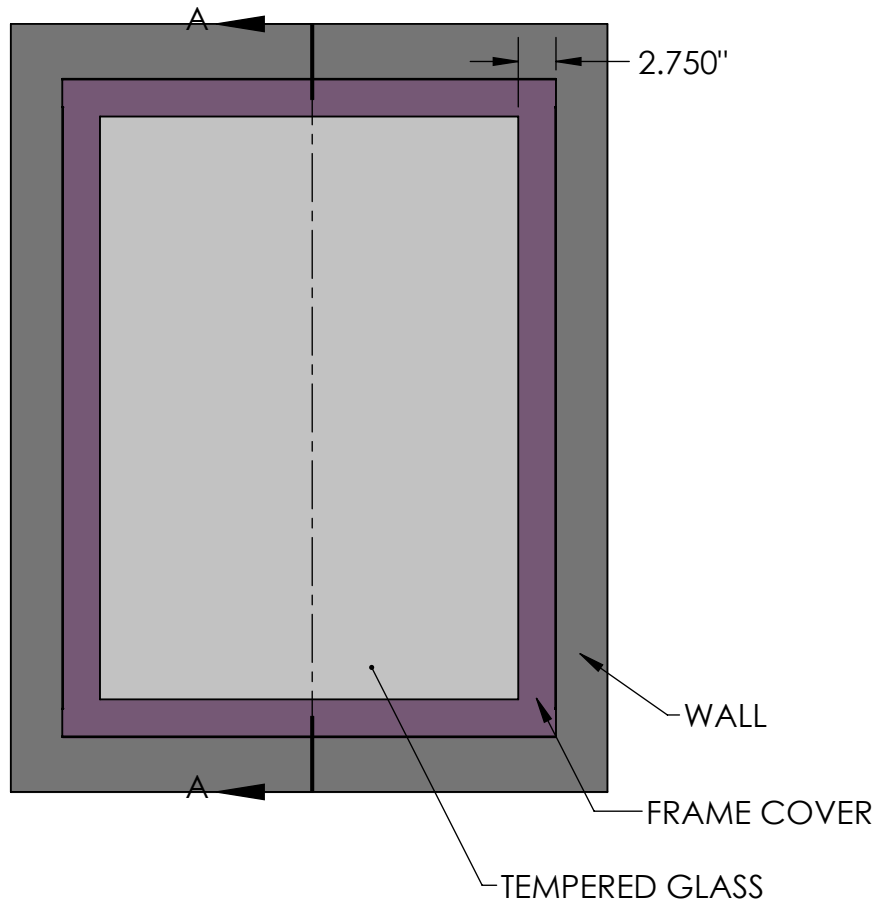


FRONT VIEW

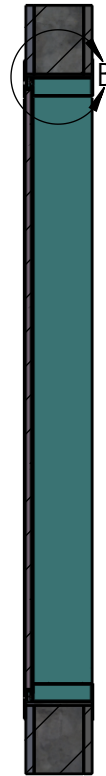


PROPRIETARY:
THE INFORMATION CONTAINED IN THIS DRAWING IS THE SOLE PROPERTY OF
TERRA UNIVERSAL. COPYING, REPRODUCTION, FABRICATION ARE PROHIBITED.
© 2021 TERRA UNIVERSAL, INC. ALL RIGHTS RESERVED.

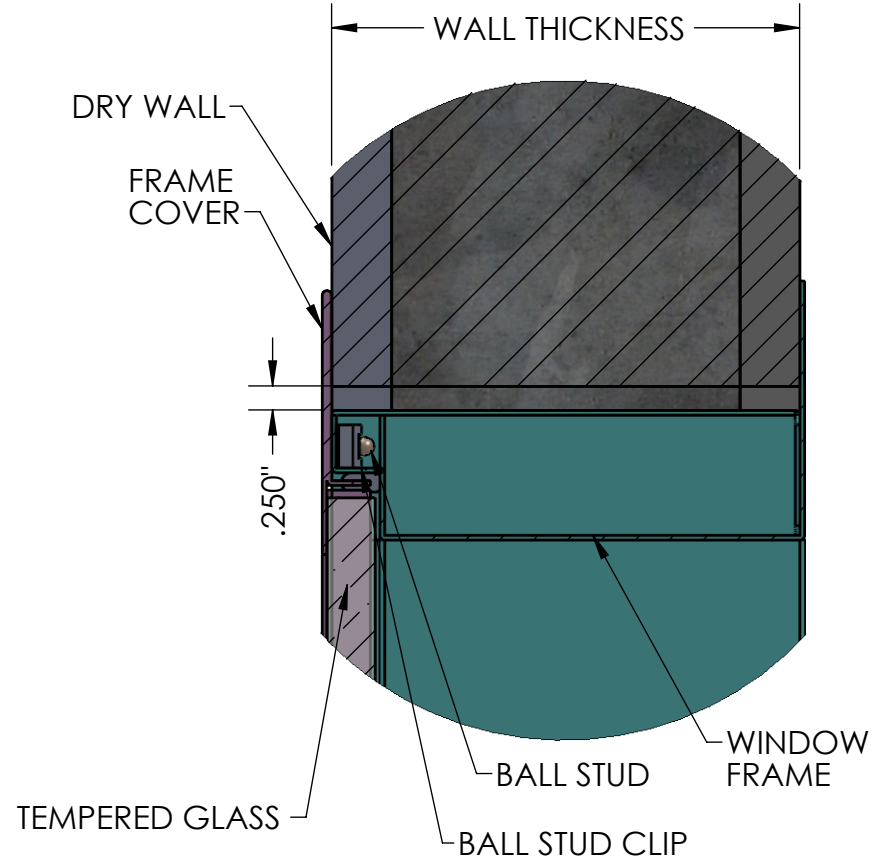
| REVISIONS | | | | MATERIAL SPEC. | FINISH SPEC. | UNLESS OTHERWISE SPECIFIED, DIMENSIONS ARE IN INCHES | |  Terra Universal | TITLE BioSafe Framed Cleanroom Window; Single Pane, Tempered Glass, 304 Stainless Steel Framed | | |
|-----------|-----------------|--------|----|------------------------------|--------------|--|--------|--|--|----------------------|--------------|
| RV# | DESCRIPTION | DATE | BY | 304SS 1/2" TEMPERED GLASS | #4 FINISH | TOLERANCES ON: | | | | | |
| NC | INITIAL RELEASE | 3/2/21 | DN | | | | | | | .XX DECIMALS ± .03 | X' ± 1" |
| | | | | | | | | | | .XXX DECIMALS ± .010 | X/X ± 1/64 |
| | | | | | | | | SIGNATURES | DATE | | |
| | | | | | | ISSUED BY: DONALD NELSON | 3/2/21 | PROPRIETARY & CONFIDENTIAL ALL RIGHTS RESERVED BY TERRA UNIVERSAL DISCLOSURE OR COPYING PROHIBITED | A 6611-00 | | |
| | | | | | | REF #: | | | | SCALE | SHEET 1 OF 2 |



FRONT VIEW




**SECTION A-A
SCALE 1 : 14**



**DETAIL B
SCALE 1 : 2**

PROPRIETARY:
THE INFORMATION CONTAINED IN THIS DRAWING IS THE SOLE PROPERTY OF
TERRA UNIVERSAL. COPYING, REPRODUCTION, FABRICATION ARE PROHIBITED.
© 2021 TERRA UNIVERSAL, INC. ALL RIGHTS RESERVED.

| REVISIONS | | | | MATERIAL SPEC. | FINISH SPEC. | UNLESS OTHERWISE SPECIFIED, DIMENSIONS ARE IN INCHES | |  Terra Universal | TITLE |
|-----------|-----------------|--------|----|---------------------|--------------|--|------------|---|--|
| RV# | DESCRIPTION | DATE | BY | 304SS | #4 FINISH | TOLERANCES ON: | | | BioSafe Framed Cleanroom Window; Single Pane, Tempered Glass, 304 Stainless Steel Framed |
| NC | INITIAL RELEASE | 3/2/21 | DN | 1/2" TEMPERED GLASS | | .XX DECIMALS ± .03 | X' ± 1" | | |
| ○ | | | | | | .XXX DECIMALS ± .010 | X/X ± 1/64 | | |
| | | | | | | SIGNATURES | | | |
| | | | | | | DATE | | | |
| | | | | | | ISSUED BY: DONALD NELSON | 3/2/21 | | |
| | | | | | | REF #: | | | |
| | | | | | | | | <small>PROPRIETARY & CONFIDENTIAL ALL RIGHTS RESERVED BY TERRA UNIVERSAL DISCLOSURE OR COPYING PROHIBITED</small> | A 6611-00 |
| | | | | | | | | SCALE | SHEET 2 OF 2 |