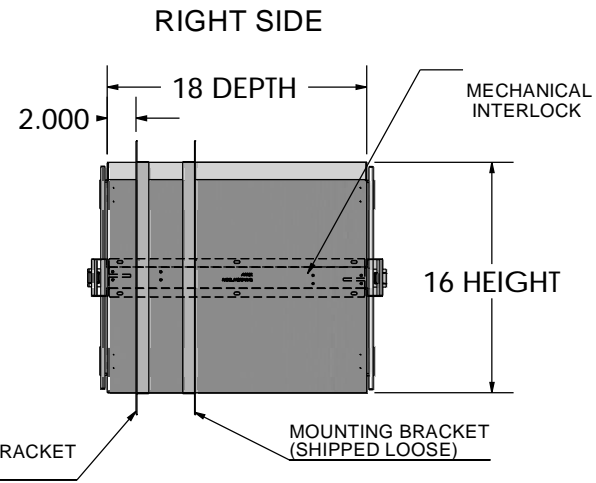
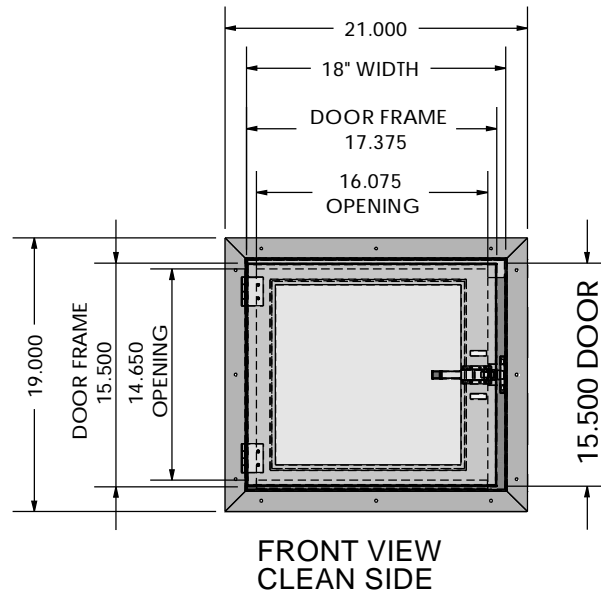
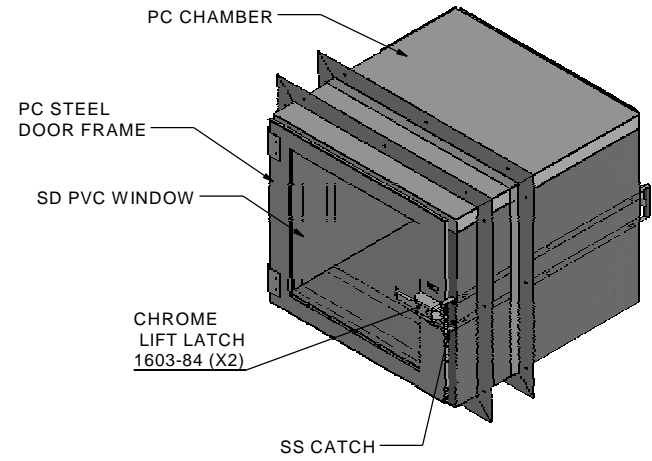
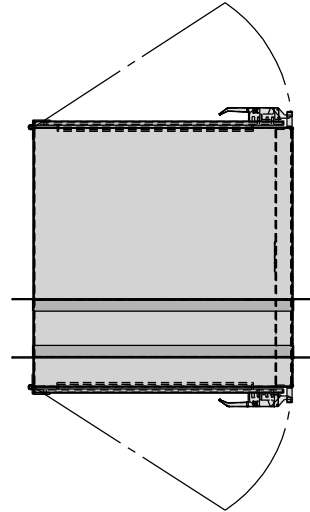




ALL SHOPS

TOP VIEW  
DOOR ORIENTATION



REVISIONS				MATERIAL SPEC.	FINISH SPEC.	UNIFORM OTHER SPECIFICATIONS, DIMENSIONS ARE IN INCHES		TITLE	
RV#	DESCRIPTION	DATE	BY	CRS SD PVC	POWDER COATED STEEL	TOLERANCES ON:		<b>PASS-THROUGH POWDER COATED STEEL WALL MOUNT, WITH BRACKETS 18"W x 18"D x 16"H</b>	
NC	INITIAL RELEASE	4-24-18	JR			.XX DECIMALS ± .03	X" ± 1"		
○						.XXX DECIMALS ± .010	X/X ± 1/64		
						SIGNATURES			DATE
						ISSUED BY: JUAN R	4-24-18		
				REF #:			 <small>Proprietary &amp; Confidential All rights reserved by TERRA UNIVERSAL Disclosure or Copying Prohibited</small>	A 1992-00D	
							SCALE	SHEET 1 OF 9	