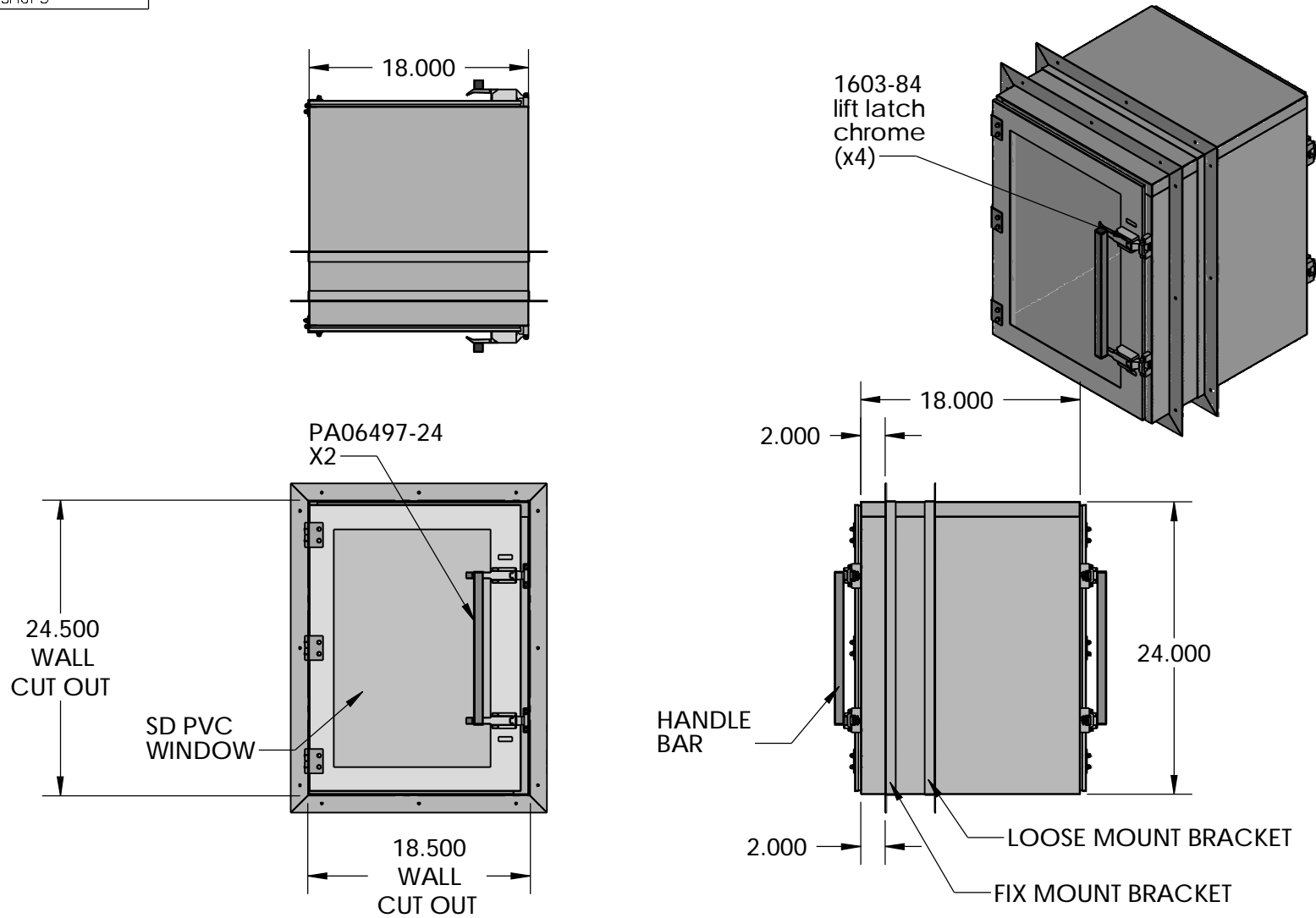
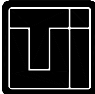


ALL SHOPS



REVISIONS				MATERIAL SPEC.	FINISH SPEC.	UNLESS OTHERWISE SPECIFIED, DIMENSIONS ARE IN INCHES	 Terra Universal <small>Proprietary & Confidential All rights reserved by TERRA UNIVERSAL Disclosure or Copying Prohibited</small>	TITLE			
RV#	DESCRIPTION	DATE	BY					A	1992-12D		
NC	INITIAL RELEASE	5-5-17	JR	304SS		TOLERANCES ON:		PASS-THROUGH, CHAMBER 304SS 18W X 18D X 24H	SHEET 1 OF 9		
○						.XX DECIMALS ± .03	X" ± 1"			SIGNATURES	
						.XXX DECIMALS ± .010	X/X ± 1/64			ISSUED BY: JUAN R	DATE: 4/9/2019
										REF #:	