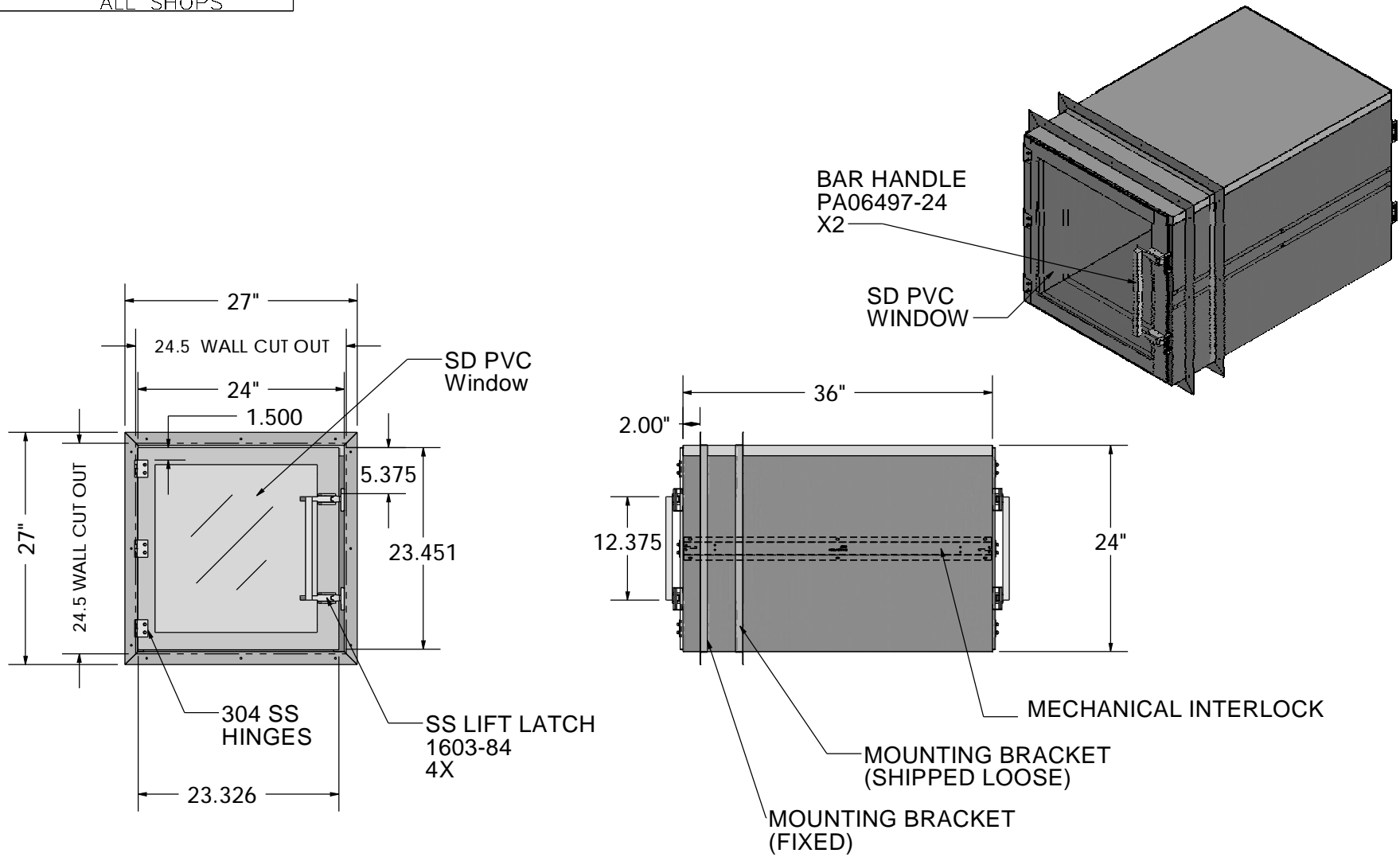
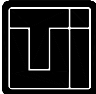


ALL SHOPS



REVISIONS				MATERIAL SPEC.	FINISH SPEC.	UNIFORM DIMENSIONS SPECIFIED, DIMENSIONS ARE IN INCHES	TERRA Universal	TITLE
RV#	DESCRIPTION	DATE	BY					
NC	INITIAL RELEASE	5-1-18	JR	304 SS		TOLERANCES ON:	 <b>Terra Universal</b> <small>Proprietary &amp; Confidential All rights reserved by TERRA UNIVERSAL Disclosure or Copying Prohibited</small>	<b>PASS-THROUGH CHAMBER 304 SS WALL MOUNTS 24"W x 36"D x 24"H</b>
○								
						.XX DECIMALS ±.03 X' ± 1'		
						.XXX DECIMALS ±.010 X/X ±1/64		
						SIGNATURES	DATE	
						ISSUED BY: JUAN R	5-1-18	
						REF #:	-	

A  
 SCALE 1992-15D  
 SHEET 1 OF 9