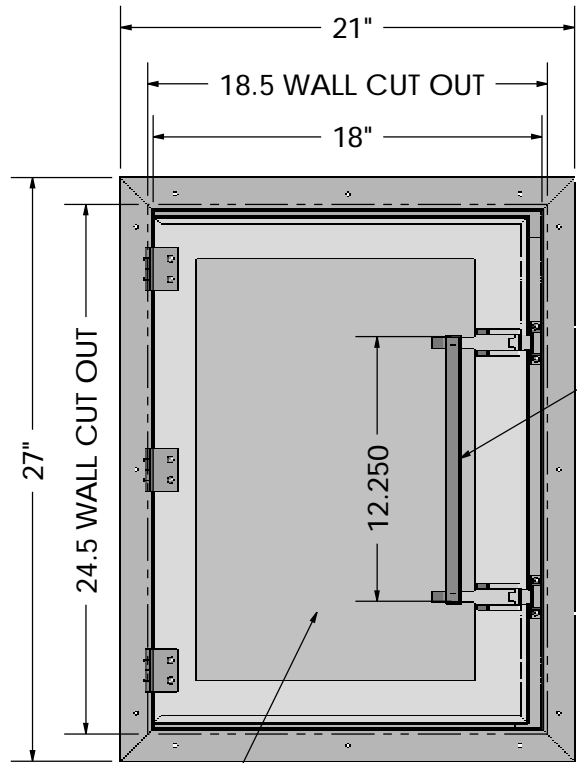


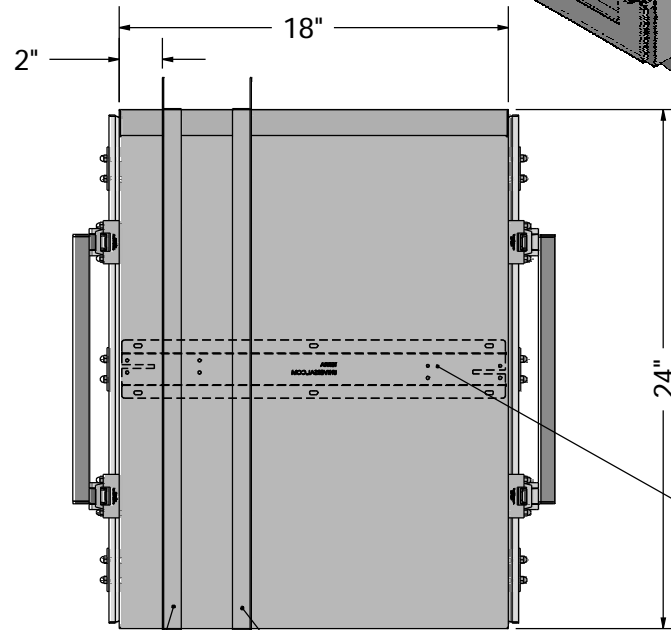
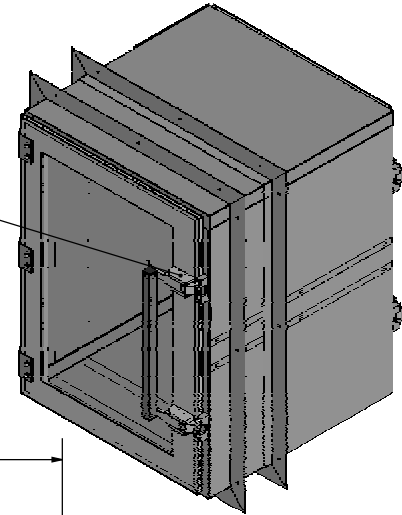
ALL SHOPS



SD-PVC

PA06497-24  
HANDLE BAR  
(X2)


1603-84  
(X4)  
LIFT LATCH



MECHANICAL  
INTERLOCK

MOUNTING BRACKET  
(FIXED)

MOUNTING BRACKET  
(SHIPPED LOOSE)

REVISIONS				MATERIAL SPEC.	FINISH SPEC.	UNLESS OTHERWISE SPECIFIED, DIMENSIONS ARE IN INCHES TOLERANCES ON:	 <b>Terra Universal</b>	TITLE	
RV#	DESCRIPTION	DATE	BY					A	1992-19D
NC	INITIAL RELEASE	8-24-16	G.F.	PAINTLOCK SD PVC	POWDER COAT	.XX DECIMALS ±.03	X' ± 1'	A	SHEET 1 OF 9
○						.XXX DECIMALS ±.010			
						SIGNATURES		DATE	
						ISSUED BY: VEGA		11/26/14	
						REF #:			

Proprietary & Confidential  
All rights reserved by  
TERRA UNIVERSAL  
Disclosure or Copying Prohibited

SCALE

SHEET 1 OF 9