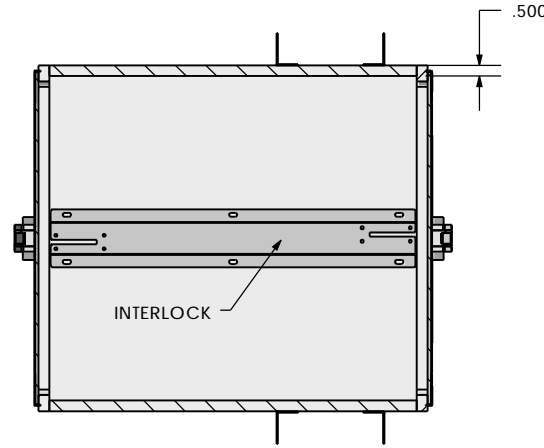
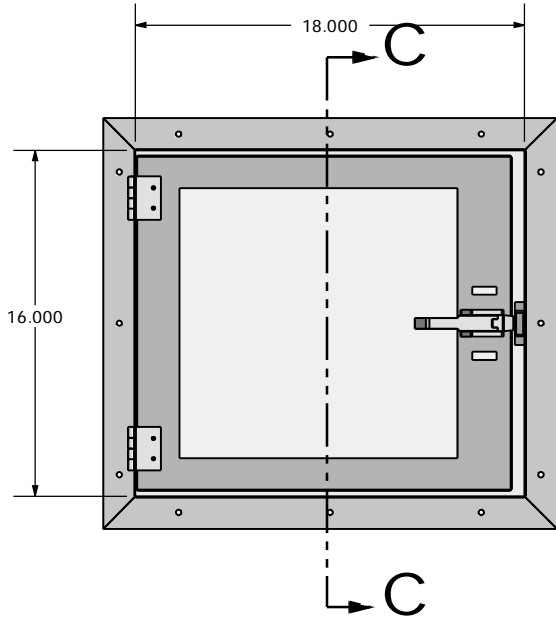
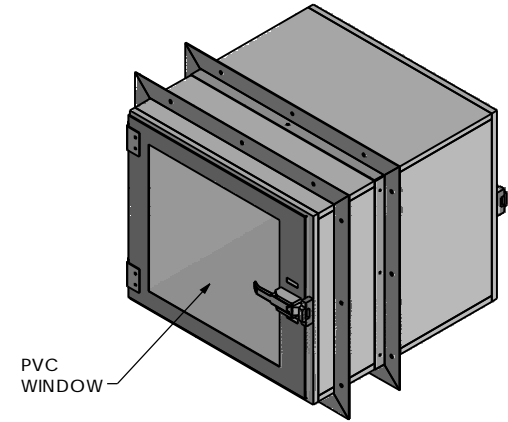
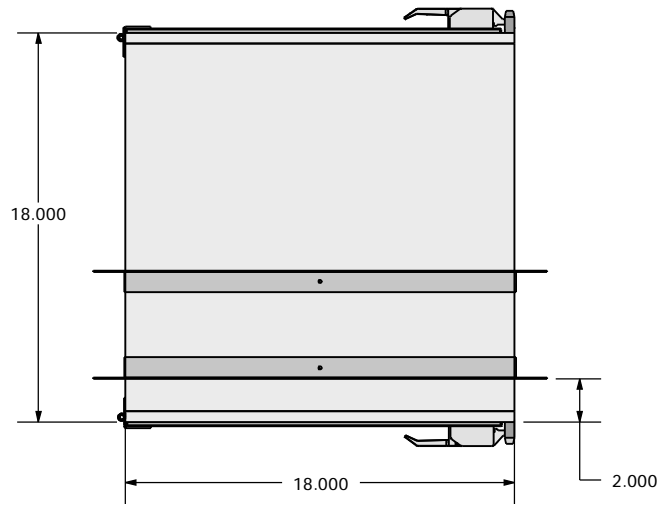
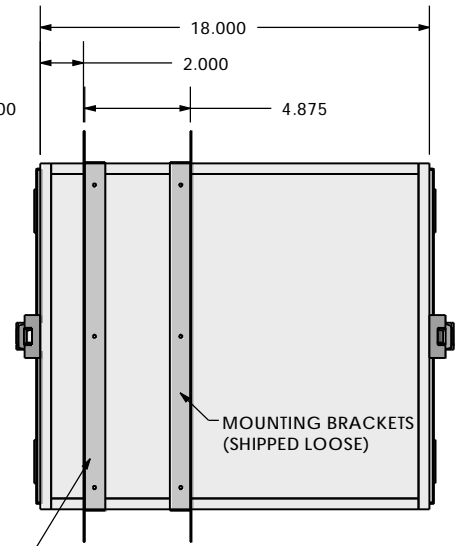



ALL SHOPS



SECTION C-C



FIX MOUNT BRACKET

LTR				DESCRIPTION				DATE				APPD							
NC				INITIAL RELEASE				11-22-17				JR							
○																			
				MATERIAL SPEC.				FINISH SPEC.											
				POLYPRO															
				304 SS															
UNLESS OTHERWISE SPECIFIED, DIMENSIONS ARE IN INCHES												TOLERANCES ON:				TITLE			
												.XX DECIMALS ± .03				X" ± 1"			
												.XXX DECIMALS ± .010				X/X ± 1/64			
												SIGNATURES				DATE			
												DRAWN: JUAN R				11-22-17			
												REF:							
 Terra Universal <small>Proprietary & Confidential All rights reserved by TERRA UNIVERSAL Disclosure or Copying Prohibited</small>												TITLE PASS-THROUGH 18"W x 18"D x 16"H POLYPRO							
												A				1992-28D			
												NEXT ASSY USED ON				SCALE			
																SHEET 1 OF 8			