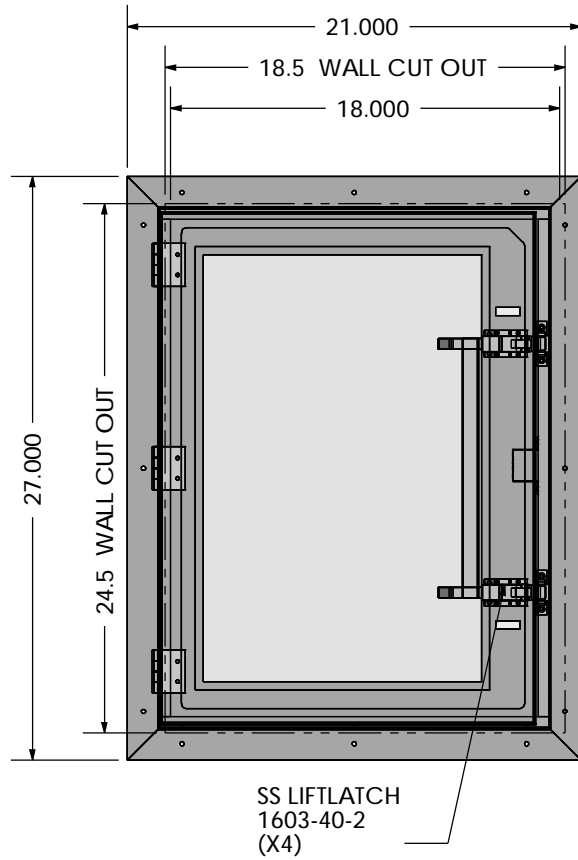
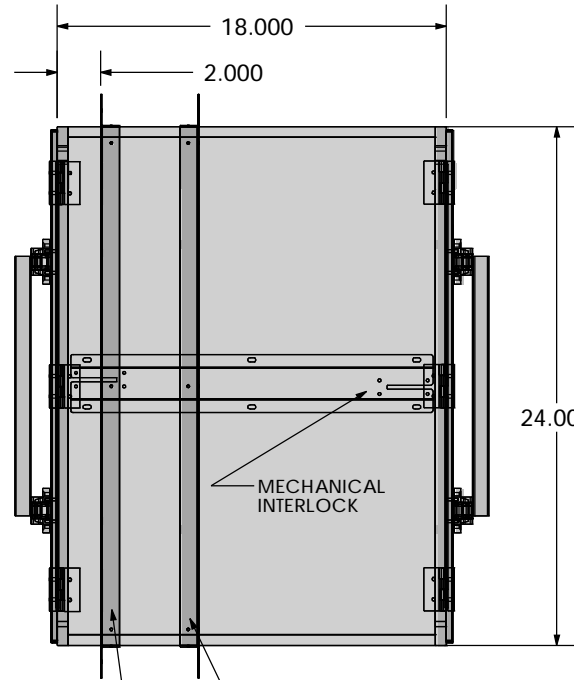


ALL SHOPS



SS LIFTLATCH
1603-40-2
(X4)

MOUNT BRACKET
FIX

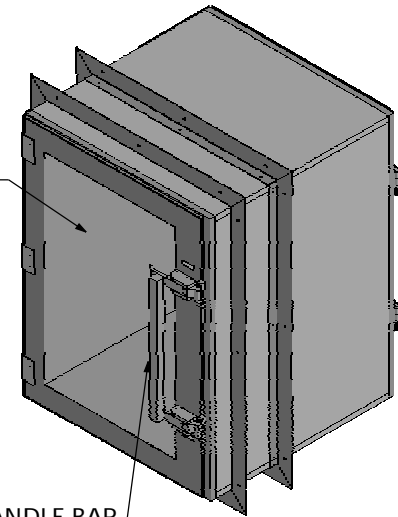


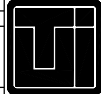
MECHANICAL
INTERLOCK

MOUNT BRACKET
LOOSE

PVC WINDOW

HANDLE BAR
PA06497-24
(X2)



REVISIONS				MATERIAL SPEC.	FINISH SPEC.	UNIFORM OTHER SPECIFICATIONS, DIMENSIONS ARE IN INCHES	TERRA Universal	TITLE
RV#	DESCRIPTION	DATE	BY					
NC	INITIAL RELEASE	2-20-18	JR	POLYPROPYLENE SD PVC 304 SS		TOLERANCES ON: .XX DECIMALS ± .03 X" ± 1" .XXX DECIMALS ± .010 X/X ± 1/64	 Terra Universal	PASS-THROUGH; w/BRACKETS, POLYPROPYLENE WALL MOUNT 18"W x 18"D x 24"H
○								
						SIGNATURES	DATE	
						ISSUED BY: JUAN REAL	5/7/2019	
						REF #:		

Proprietary & Confidential
All rights reserved by
TERRA UNIVERSAL
Disclosure or Copying Prohibited

A

1992-29D

SCALE

SHEET 1 OF 8