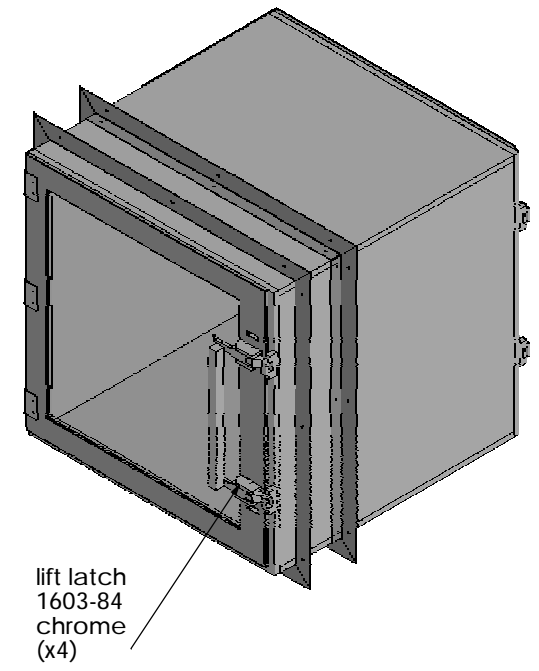
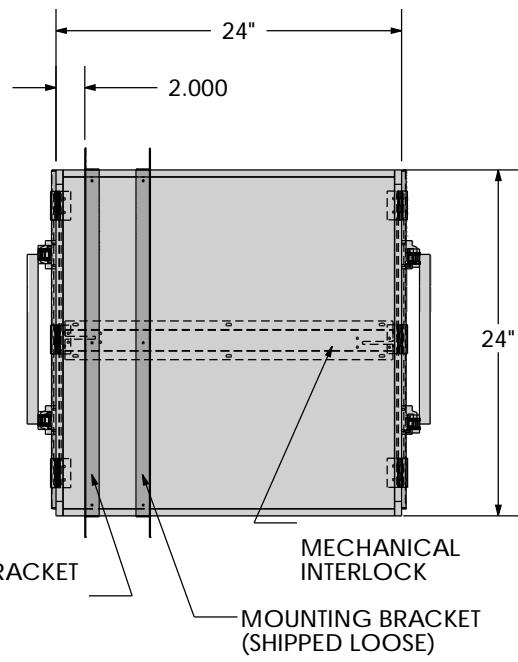
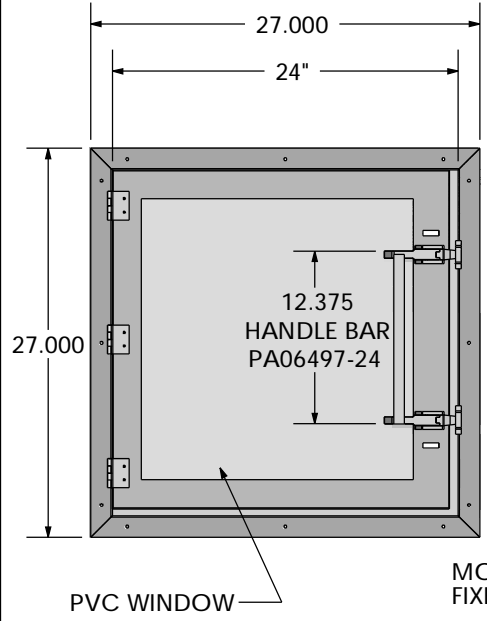
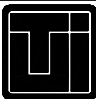


ALL SHOPS



REVISIONS				MATERIAL SPEC.	FINISH SPEC.	UNLESS OTHERWISE SPECIFIED, DIMENSIONS ARE IN INCHES		 Terra Universal <small>Proprietary & Confidential All rights reserved by TERRA UNIVERSAL Disclosure or Copying Prohibited</small>	TITLE	
RV#	DESCRIPTION	DATE	BY			TOLERANCES ON:			1992-31D	
NC	INITIAL RELEASE	5/7/2019	JR	POLYPROPYLENE SD PVC SHEET METAL 304 SS		.XX DECIMALS ± .03	X" ± 1"	A	SCALE	SHEET 1 OF 8
						.XXX DECIMALS ± .010	X/X ± 1/64			
						SIGNATURES		DATE		
						ISSUED BY: JUAN R		5/7/2019		
						REF #:				