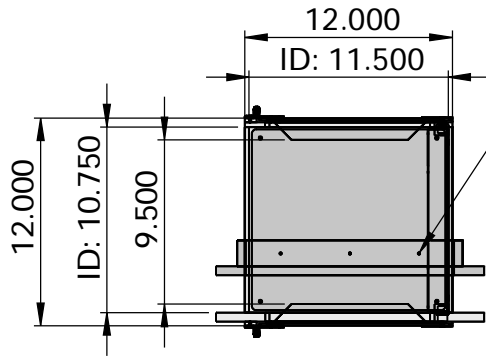


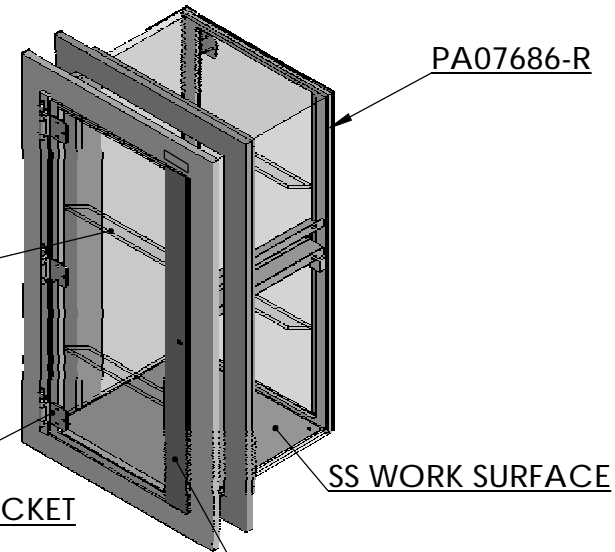
ALL SHOPS



SCREW X6
FA01650

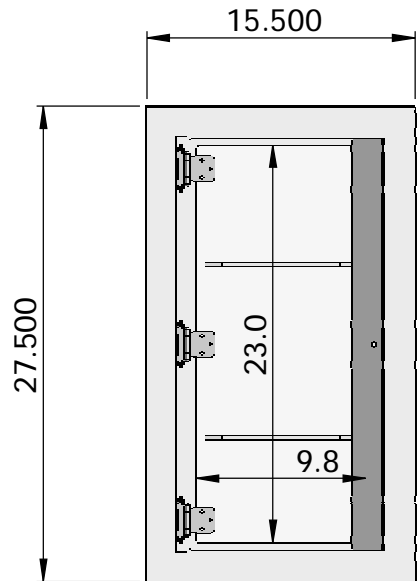
DOOR SUPPORT
X4

CHROME HINGE
PA01536
X6



SS WORK SURFACE

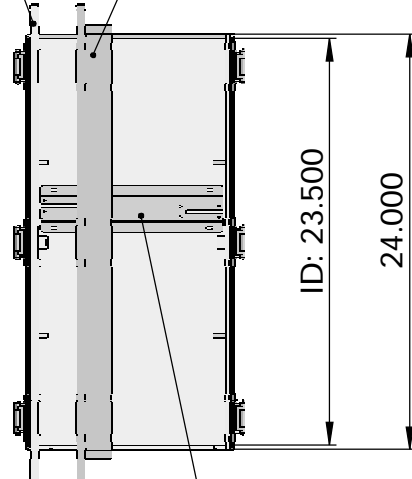
PA07686-L



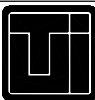
WALL CUT OUT
12.5 W X 24.500H

FLUSH MOUNT

MOUNTING BRACKET



INTERLOCK

REVISIONS				MATERIAL SPEC.	FINISH SPEC.	UNLESS OTHERWISE SPECIFIED, DIMENSIONS ARE IN INCHES		 Terra Universal <small>Proprietary & Confidential All rights reserved by TERRA UNIVERSAL Disclosure or Copying Prohibited</small>	TITLE	
RV#	DESCRIPTION	DATE	BY			TOLERANCES ON:			A	VALULINE PASS-THROUGH POLYPROPYLENE 12W X 12D X 24H
NC	INITIAL RELEASE	3-23-18	JR	POLYPROPYLENE SD PVC DOORS		.XX DECIMALS ± .03	X" ± 1"	ISSUED BY: JUAN REAL	DATE: 3-23-18	2634-02A
						.XXX DECIMALS ± .010	X/X ± 1/64			
						SIGNATURES				
						REF #:				