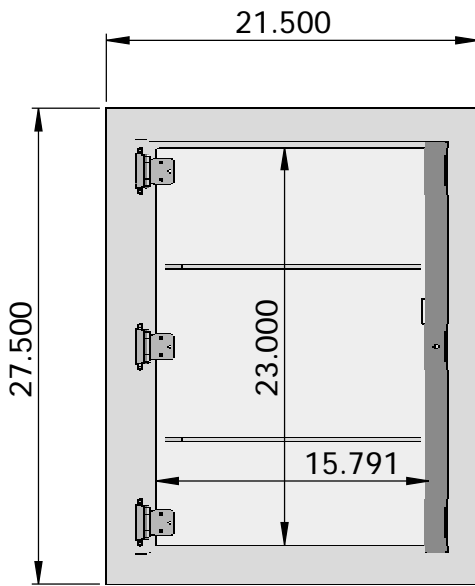
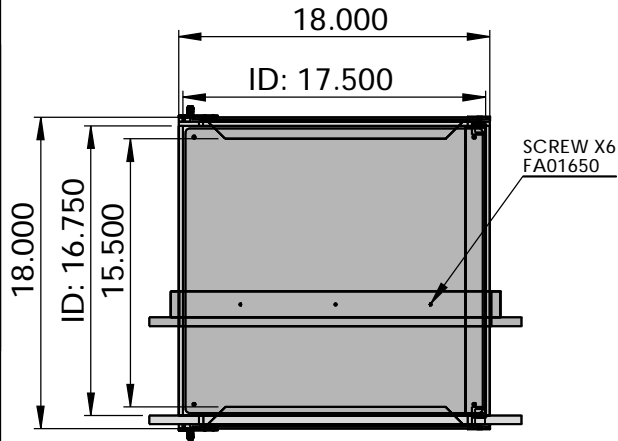
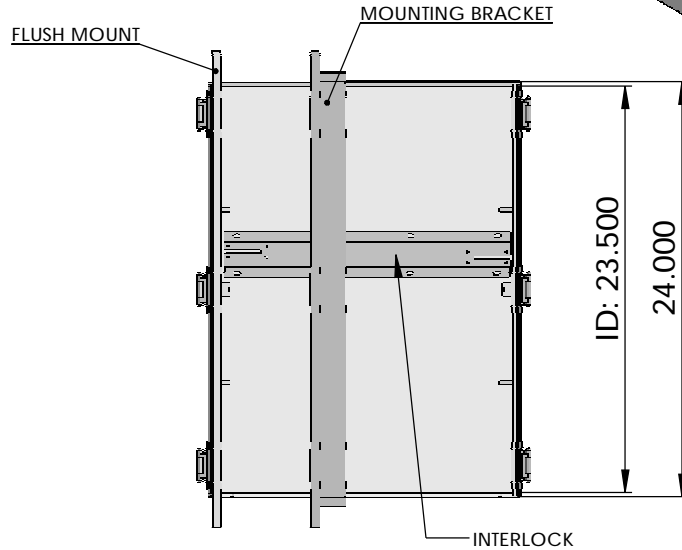
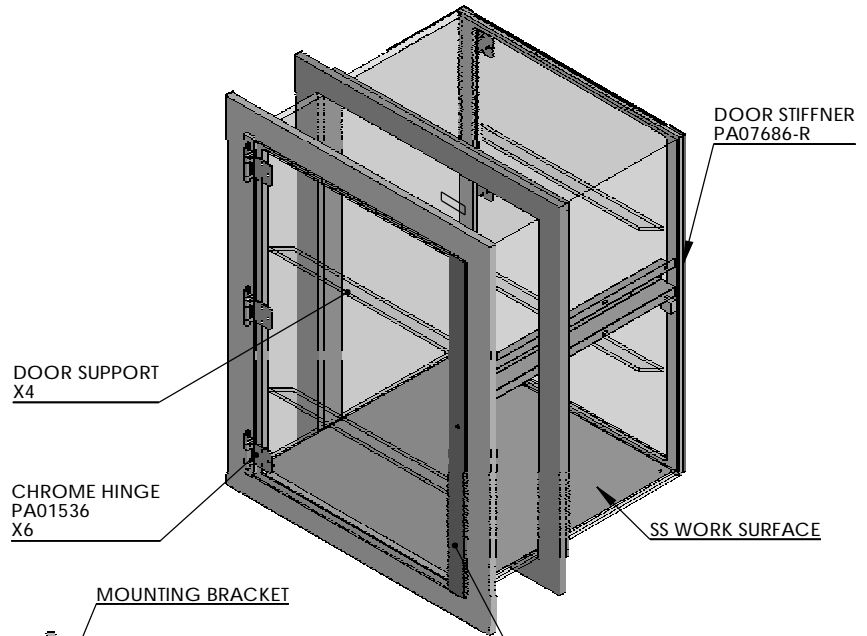



ALL SHOPS



WALL CUT OUT
18.5 W X 24.500H



REVISIONS				MATERIAL SPEC.	FINISH SPEC.	UNLESS OTHERWISE SPECIFIED, DIMENSIONS ARE IN INCHES		 Proprietary & Confidential All rights reserved by TERRA UNIVERSAL Disclosure or Copying Prohibited	TITLE	
RV#	DESCRIPTION	DATE	BY			TOLERANCES ON:			A	VALULINE PASS-THROUGH POLYPROPYLENE 18W X 18D X 24H
NC	INITIAL RELEASE	2-26-18	JR	POLYPROPYLENE CLAR ACRYLIC DOORS		.XX DECIMALS ± .03	X" ± 1"	ISSUED BY: JUAN REAL	2-26-18	2634-05A
						.XXX DECIMALS ± .010	X/X ± 1/64			
						SIGNATURES				
						DATE				
						REF #:				