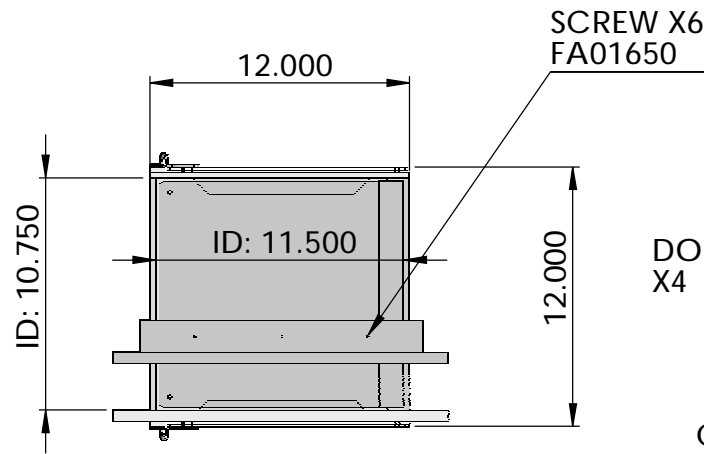
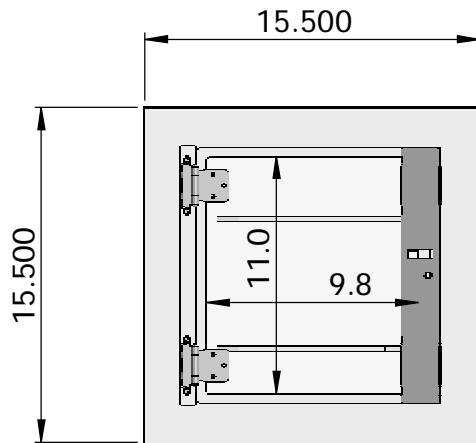
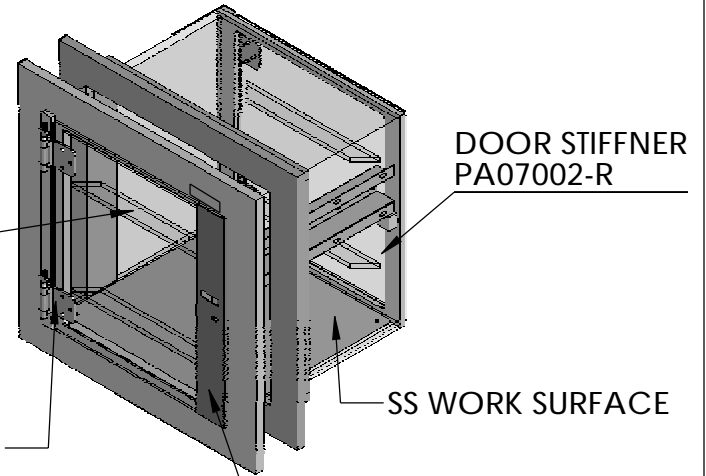


ALL SHOPS



DOOR SUPPORT
X4

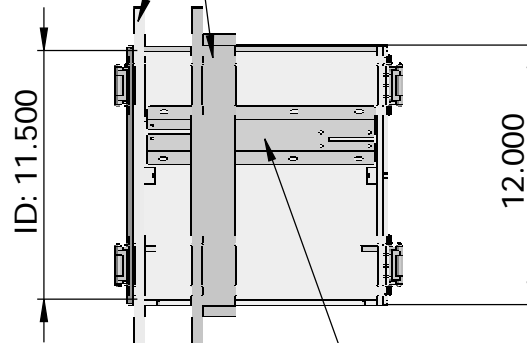
CHROME HINGE
PA01536
X4




WALL CUT OUT
12.500 W X 12.500H

FLUSH MOUNT

MOUNTING BRACKET



REVISIONS				MATERIAL SPEC.	FINISH SPEC.	UNLESS OTHERWISE SPECIFIED, DIMENSIONS ARE IN INCHES		 <small>Proprietary & Confidential All rights reserved by TERRA UNIVERSAL Disclosure or Copying Prohibited</small>	TITLE	
RV#	DESCRIPTION	DATE	BY			TOLERANCES ON:			A	VALULINE PASS-THROUGH BLACK ACRYLIC 12WX12DX12H
NC	INITIAL RELEASE	2-21-18	JR	BLACK ACRYLIC CLEAR ACRYLIC DOORS		.XX DECIMALS ± .03	X" ± 1"	A SCALE SHEET 1 OF 9	2634-11A	
						.XXX DECIMALS ± .010	X/X ± 1/64			
						SIGNATURES		DATE		
						ISSUED BY: JUAN R		2-21-18		
						REF #:				