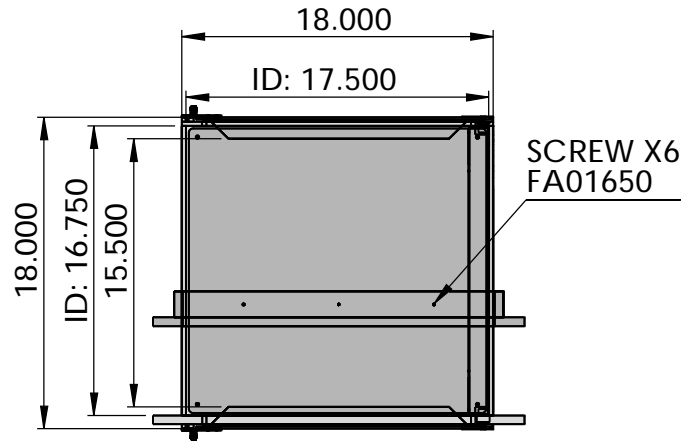


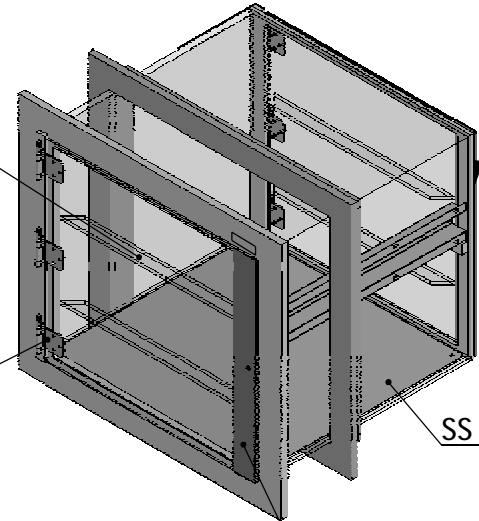
ALL SHOPS



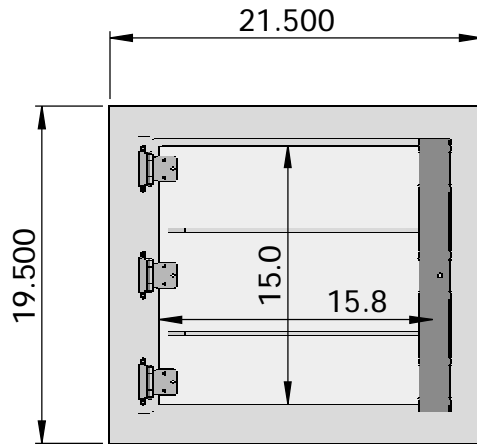
DOOR SUPPORT X4

CHROME HINGE PA01536 X6

DOOR STIFFNER PA07684-R



SS WORK SURFACE

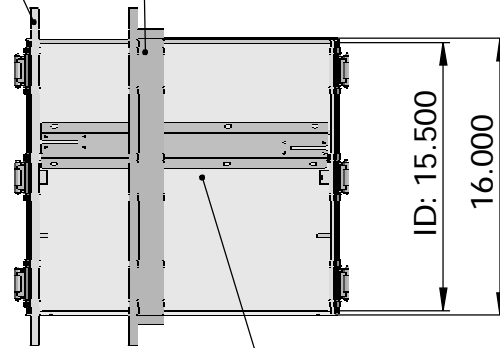


WALL CUT OUT  
18.5 W X 16.5H

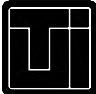
FLUSH MOUNT

MOUNTING BRACKET

DOOR STIFFNER PA07684-L



INTERLOCK

REVISIONS				MATERIAL SPEC.	FINISH SPEC.	UNLESS OTHERWISE SPECIFIED, DIMENSIONS ARE IN INCHES	 <b>Terra Universal</b> <small>Proprietary &amp; Confidential All rights reserved by TERRA UNIVERSAL Disclosure or Copying Prohibited</small>	TITLE	
RV#	DESCRIPTION	DATE	BY					A	2634-13A
NC	INITIAL RELEASE	2-28-18	JR	BLACK ACRYLIC CLEAR ACRYLIC DOORS		TOLERANCES ON: .XX DECIMALS ± .03 X" ± 1" .XXX DECIMALS ± .010 X/X ± 1/64 SIGNATURES _____ DATE _____ ISSUED BY: JUAN R 2-28-18 REF #:	VALULINE PASS-THROUGH BLACK ACRYLIC 18W X 18D X 16H		
							SCALE	SHEET 1 OF 9	