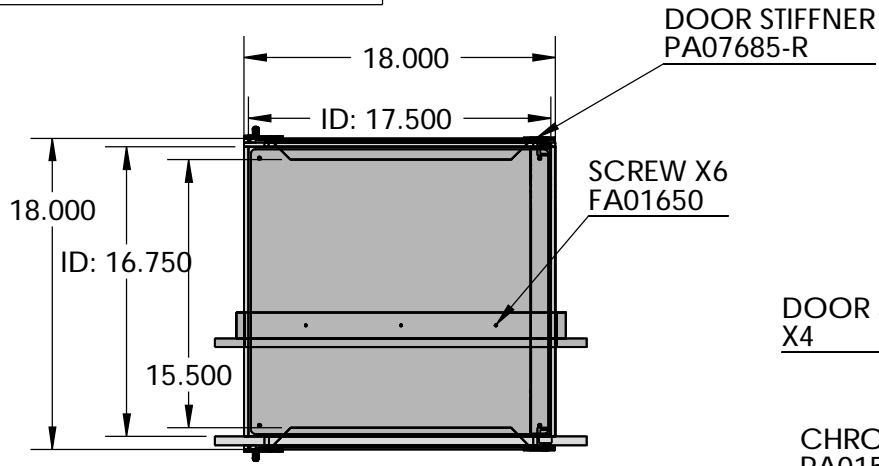
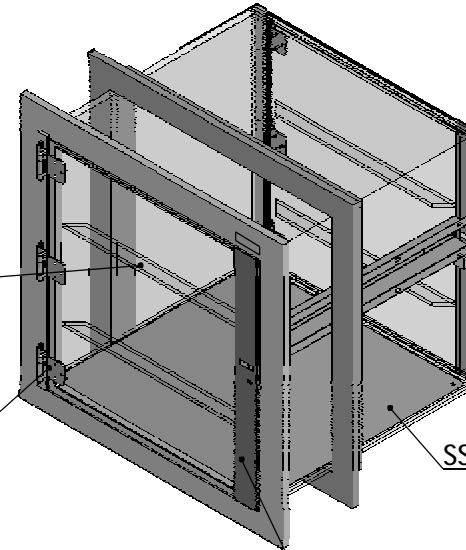


ALL SHOPS



DOOR SUPPORT
X4

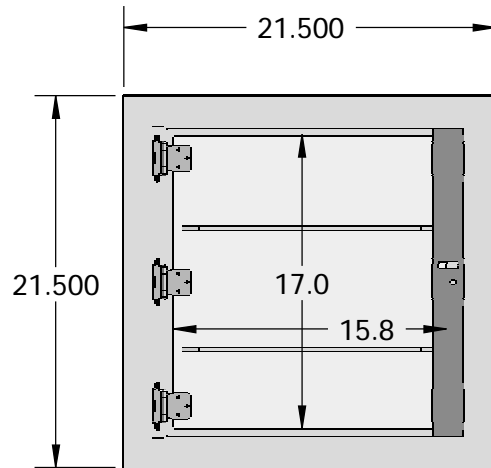
CHROME HINGE
PA01536
X6



SS WORK SURFACE

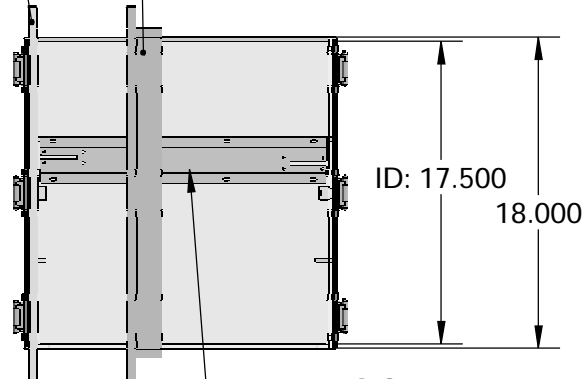
DOOR STIFFNER
PA07685-L

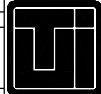
FLUSH MOUNT



WALL CUT OUT
18.5 W X 18.5H

MOUNTING BRACKET



REVISIONS				MATERIAL SPEC.	FINISH SPEC.	UNLESS OTHERWISE SPECIFIED, DIMENSIONS ARE IN INCHES TOLERANCES ON:	 Terra Universal	TITLE	
REV#	DESCRIPTION	DATE	BY					A	2634-14A
NC	INITIAL RELEASE	3-8-18	JR	BLACK ACRYLIC CLEAR ACRYLIC DOORS		.XX DECIMALS ± .03 X" ± 1"	<small>Proprietary & Confidential All rights reserved by TERRA UNIVERSAL Disclosure or Copying Prohibited</small>	SCALE	SHEET 1 OF 9
						.XXX DECIMALS ± .010 X/X ± 1/64			
						SIGNATURES DATE			
						ISSUED BY: JUAN REAL 3-8-18			
						REF #:			