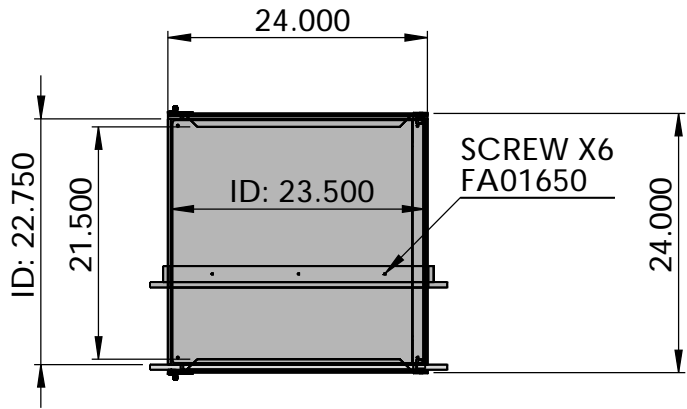
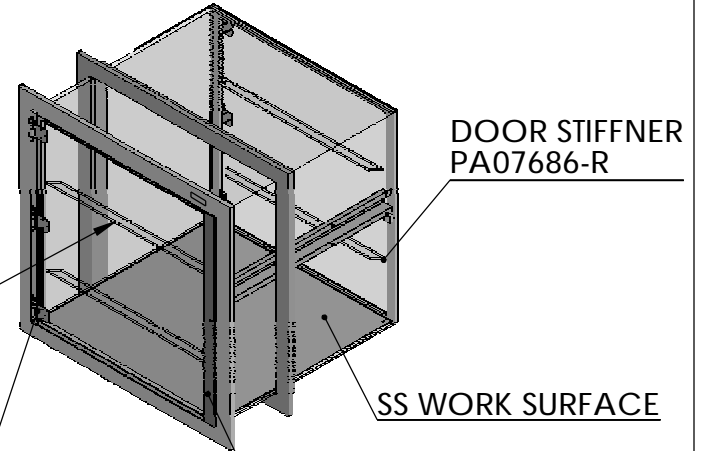


ALL SHOPS



DOOR SUPPORT  
X4

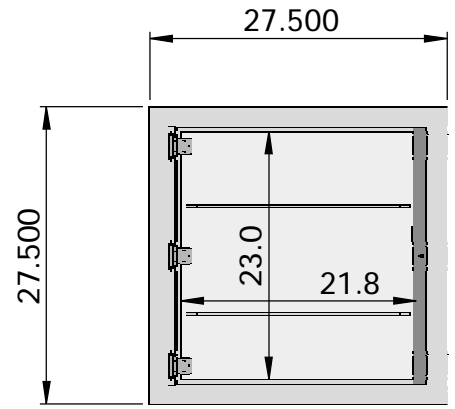
CHROME HINGE  
PA01536  
X6



DOOR STIFFNER  
PA07686-R

SS WORK SURFACE

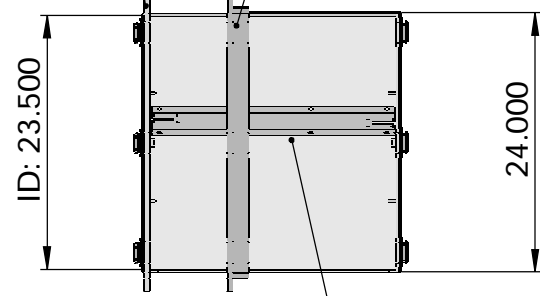
DOOR STIFFNER  
PA07686-L




WALL CUT OUT  
24.500 W X 24.500H

FLUSH MOUNT

MOUNTING BRACKET



FIRMLOK INTERLOCK

REVISIONS				MATERIAL SPEC.	FINISH SPEC.	UNIFORM OTHER SPECIFICATIONS, DIMENSIONS ARE IN INCHES		 <b>Terra Universal</b>	TITLE	
REV#	DESCRIPTION	DATE	BY			TOLERANCES ON:			A	2634-17A
NC	INITIAL RELEASE	2-5-18	JR	BLACK ACRYLIC CLEAR ACRYLIC DOORS		.XX DECIMALS ± .03	X" ± 1"	<small>Proprietary &amp; Confidential All rights reserved by TERRA UNIVERSAL Disclosure or Copying Prohibited</small>	SCALE	SHEET 1 OF 1
						SIGNATURES				
						ISSUED BY: JUAN R	2-5-18			
						REF #:				