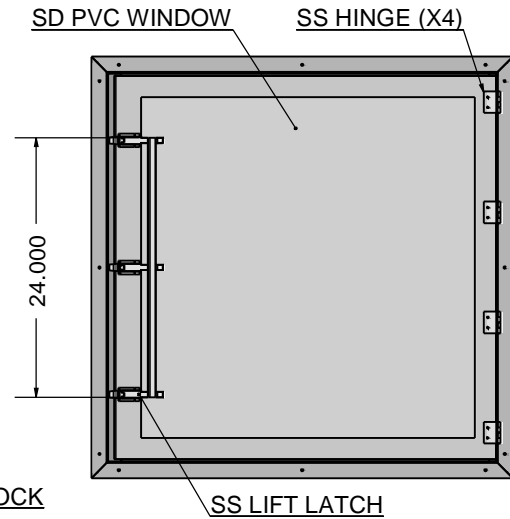
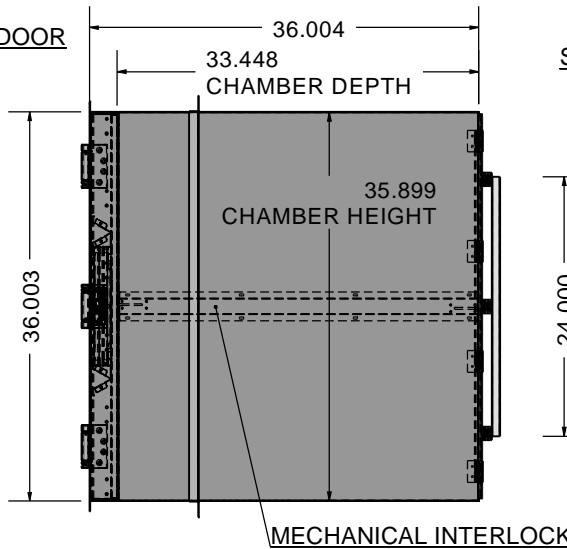
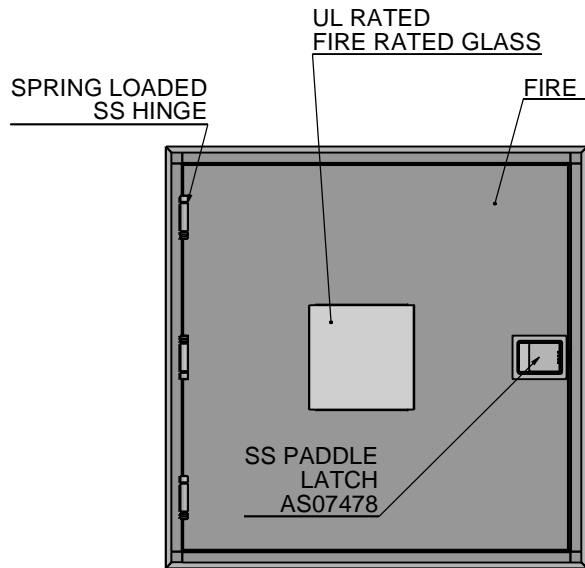
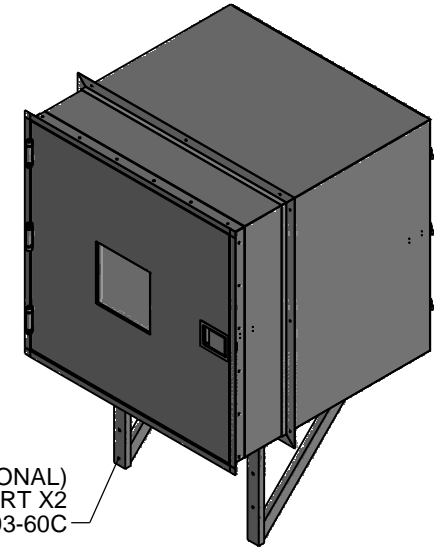
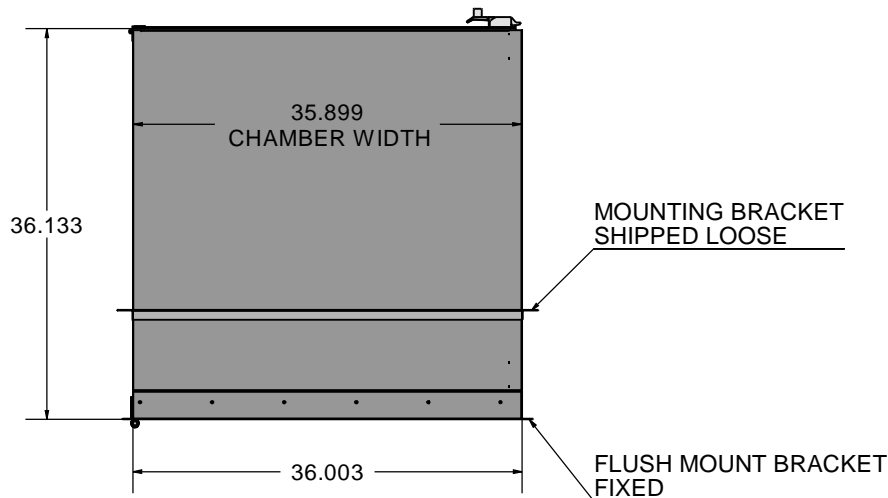
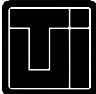


ALL SHOPS

**PASS-THROUGH 304SS
FIRE RATED
36W X 36D X 36H
PART NO. 2641-14**



REVISIONS				MATERIAL SPEC.	FINISH SPEC.	UNIFORM OTHER SPECIFIED DIMENSIONS ARE IN INCHES TOLERANCES ON:	 Terra Universal	TITLE	
RV#	DESCRIPTION	DATE	BY					ISSUED BY:	DATE
NC	INITIAL RELEASE	8/22/2016	VN	304SS		.XX DECIMALS ± .03 X" ± 1"	<small>Proprietary & Confidential All rights reserved by TERRA UNIVERSAL Disclosure or Copying Prohibited</small>	SC ALE	SHEET 1 OF 33
○						ISSUED BY: WILLIAM NGUYEN			
						SIGNATURES			
						REF #:			