

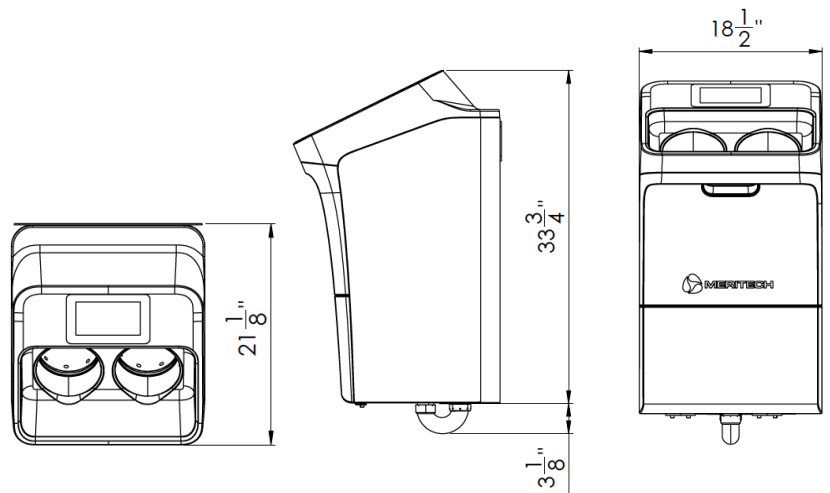
CleanTech® EVO Wall

Wall-Mounted Automated Handwashing System

TECHNOLOGY FOR
HAND HYGIENE



The EVO Wall is our wall-mounted CleanTech® Automated Handwashing Station. This durable system features a watertight cabinet designed for wall mount in high-use areas in both industrial production and commercial environments. Deep cylinders provide effective handwashing beyond wrists to forearms to quickly remove more than 99.9% of pathogens in just 12 seconds.



Water Consumption

0.7 gallons (2.65 L) per 12-second hand wash cycle

Electrical

6' power cord included
100-250 VAC NEMA 5-15p
International plugs available

Plumbing

Water supply hoses included
1/2" MNPT H&C - ASSE 1070
Thermostatic Mixing Valve
35-100 PSI / 4 GPM minimum
3/8" ID supply line minimum

Consult Meritech if connecting more than two stations on the same water lines

Drain

1 1/4" or 1 1/2" Slip Drain P-Trap included

Solutions

Required: 2,000 mL UltraPure Hand Hygiene Solution (2,000 Hygiene events)

Optional: 2,000 mL SelfClean system cleaning solution

Features

- 12-second wash and rinse cycle activates automatically via infrared photo-optical sensors
- Compliance monitor automatically counts number of hand wash cycles
- Designed for high-use areas
- CIP friendly with NEMA 4X electronics enclosure
- Washes up to mid-forearm
- Full color display with wash cycle countdown timer and hygiene tips for employee training and education



Ensures hygiene SOP compliance



Removes 99.9% of dangerous pathogens



High throughput up to 4 employees per minute



Uses less water than manual hand washing methods