
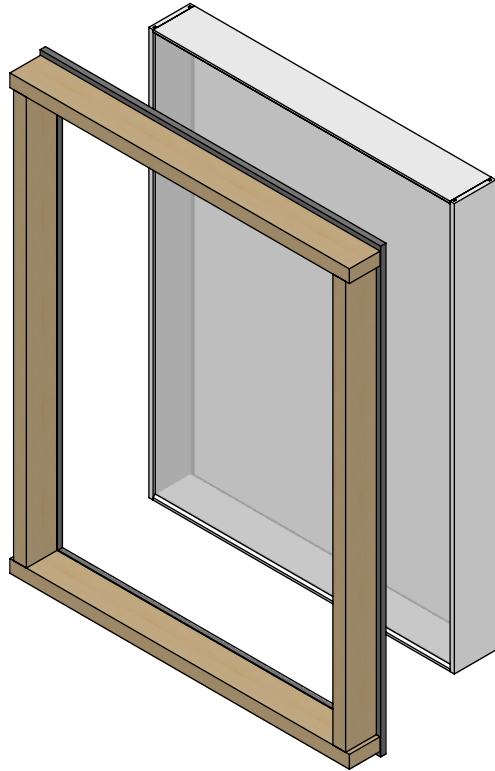


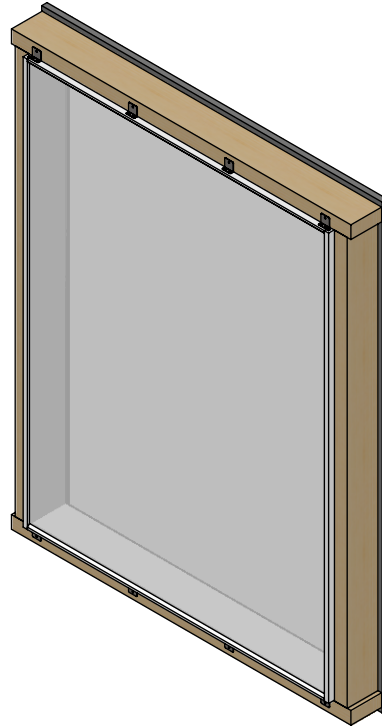
PROPRIETARY:
 THE INFORMATION CONTAINED IN THIS DRAWING IS THE SOLE PROPERTY OF
 TERRA UNIVERSAL. COPYING, REPRODUCTION, FABRICATION ARE PROHIBITED.
 © 2021 TERRA UNIVERSAL, INC. ALL RIGHTS RESERVED.

REVISIONS				MATERIAL SPEC.	FINISH SPEC.	UNLESS OTHERWISE SPECIFIED, DIMENSIONS ARE IN INCHES		 Terra Universal <small>PROPRIETARY & CONFIDENTIAL ALL RIGHTS RESERVED BY TERRA UNIVERSAL. DISCLOSURE OR COPYING PROHIBITED</small>	TITLE
RV#	DESCRIPTION	DATE	BY	WHITE POLYPROPYLENE		TOLERANCES ON:			ValueLine Framed Cleanroom Window; Double Pane, Tempered Glass, Polypropylene Frame
NC	INITIAL RELEASE	3/3/2021	DN	1/4" TEMPERED GLASS		.XX DECIMALS ± .03	X' ± 1"		A 6603-32 SCALE SHEET 1 OF 2
						.XXX DECIMALS ± .010	X/X ± 1/64		
				SIGNATURES		DATE			
				ISSUED BY: <i>Donald Nelson III</i>		3/3/2021			
				REF #:					

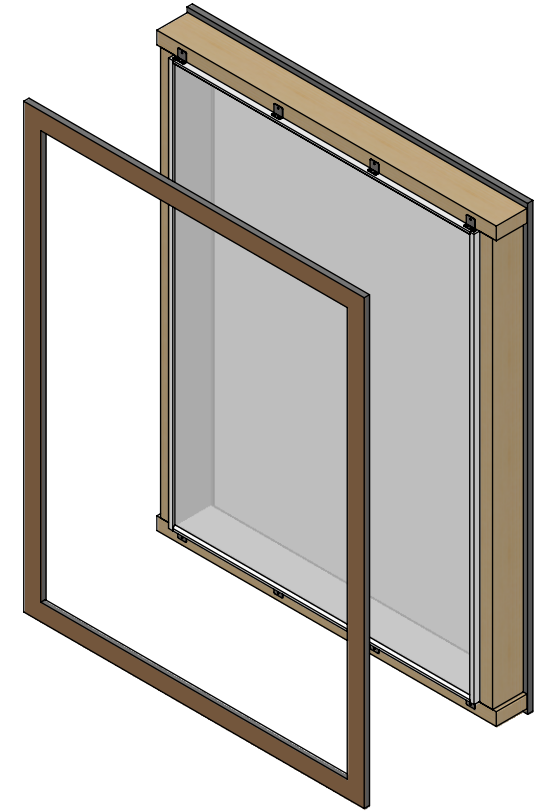
1. SLIDE THE WINDOW CENTERED INTO THE WALL CUTOUT AND BLOCKING MAKING SURE THAT IT IS FLUSH WITH THE DRYWALL.




2. ATTACH THE WALL ANCHORS INTO THE BLOCKING, THEN ATTACH THE ANCHORS INTO THE WINDOW WITH THE PROVIDED 18-8 1/4" PHILLIPS FLAT HEAD SCREWS .



3. FILE OFF SOME OF THE INSIDE OF THE DRYWALL WHERE THE ANCHORS ARE ATTACHED AS NEEDED. INSTALL THE DRY WALL OVER THE WINDOW BLOCKING.



PROPRIETARY:
 THE INFORMATION CONTAINED IN THIS DRAWING IS THE SOLE PROPERTY OF
 TERRA UNIVERSAL. COPYING, REPRODUCTION, FABRICATION ARE PROHIBITED.
 © 2021 TERRA UNIVERSAL, INC. ALL RIGHTS RESERVED.

REVISIONS				MATERIAL SPEC.	FINISH SPEC.	UNLESS OTHERWISE SPECIFIED, DIMENSIONS ARE IN INCHES		 Terra Universal <small>PROPRIETARY & CONFIDENTIAL ALL RIGHTS RESERVED BY TERRA UNIVERSAL. DISCLOSURE OR COPYING PROHIBITED</small>	TITLE
RV#	DESCRIPTION	DATE	BY	WHITE POLYPROPYLENE		TOLERANCES ON:			ValueLine Framed Cleanroom Window; Double Pane, Tempered Glass, Polypropylene Frame
NC	INITIAL RELEASE	3/3/2021	DN	1/4" TEMPERED GLASS		.XX DECIMALS ± .03	X' ± 1"		
						.XXX DECIMALS ± .010	X/X ± 1/64		
						SIGNATURES		DATE	
						ISSUED BY: <i>Donald Nelson III</i>		3/3/2021	
						REF #:			A 6603-32 SCALE SHEET 2 OF 2