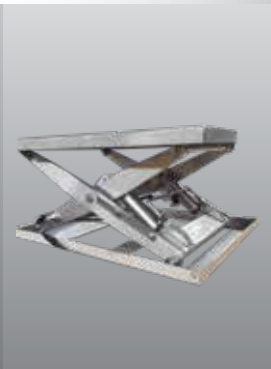
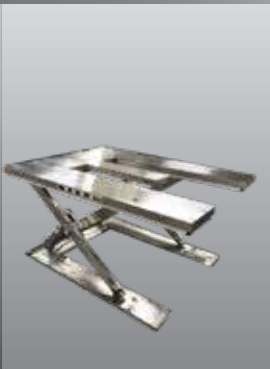




MAJOR ACCOUNT PROGRAM

EXPERTS IN SANITATION LIFT EQUIPMENT FOR FOOD COMPANIES



Stainless Steel Wash Down Lift Table

Fully welded with stainless steel cylinders
2,500 to 4,500 lbs capacity



Features

- No crevices and pin holes where bacteria can form and reduced down time
- Sanitary design with stainless cylinders
- Nema4x hand controls wash down powerpack
- Standard finishes from 2B, electro polished and 35 RA

Options

- Platform 42" x 48" and 48" x 48"
- Raised feet
- Rotating platforms, tilting platforms
- Portable and semi portable



30" Lift

Model	Capacity	Platform sizes	Base sizes	Lower Height	Raised Height	Motor HP	Motor weight
SL SS30-20	2,000 lbs	40" x 48"	40" x 48"	8"	40"	1.5	550lbs
SL SS30-25	2,500 lbs	40" x 48"	40" x 48"	8"	40"	1.5	625lbs
SL SS30-30	3,000 lbs	40" x 48"	40" x 48"	8"	40"	1.5	775lbs
SL SS30-40	4,000 lbs	40" x 48"	40" x 48"	8"	40"	1.5	625lbs

Stainless Steel Ergonomic Lift Tables

4,000 - 6,000 lbs capacity



Features

- Value priced 2,000 and 2,500 lbs capacity
- USDA and CGMP compliant
- North American 304L or 316L
- Sanitary design with full pan base and platform formed to eliminate welds
- Nickel plated or stainless cylinders
- Nema hand controls, control back

Options

- Higher lift heights
- Stainless hydraulic cylinders
- Sanitation package 6" adjustable legs to make floor around lift easier to clean
- Rotating platforms, tilting platforms
- Portable and semi portable
- Polished tig welds
- Safety railing with gates
- Air powered | Self propelled
- Double and triple lifts
- Custom sizes
- Capacities from 500 to 8,000 lbs



Nickel Plated Cylinders



Bolt Together



Delrin Rollers and Bearings



Sanitation Package

30" Lift

Model	Capacity	Platform sizes	Base sizes	Lower Height	Raised Height	Motor HP	Motor weight
SL SS30-20	4,000 lbs	44" x 48"	36" x 48"	8"	38"	1	550lbs
SL SS30-40	5,000 lbs	44" x 48"	36" x 48"	8"	38"	1	625lbs
SL SS30-50	6,000 lbs	44" x 48"	36" x 48"	8"	38"	1.5	775lbs



Stainless Steel Pneumatic Lift Tables

Rotator 1,500 lbs capacity



Features

- Heavy Duty all welded frames
- Delrin bushings
- Life time guarantee on Firestone Airbags
- Low maintenance
- Easy operation

Options

- Safety skirts
- Rotating platform

24" Lift

Model	Capacity	Platform sizes	Base sizes	Lower Height	Raised Height	Motor weight
SS SLALT2 3648	1,500 lbs	36" x 48"	36" x 48"	10"	32"	750lbs
SS SLALT2 4848	1,500 lbs	48" x 48"	36" x 48"	10"	32"	800lbs
SS SLALT2 5648	1,500 lbs	56" x 48"	36" x 48"	10"	32"	870lbs
SS SLALT2 6048	1,500 lbs	60" x 48"	36" x 48"	10"	32"	950lbs



Stainless Steel Single & Double Portable Lift Tables

2,000 - 4,500 lbs capacity



Features

- High quality 304L and 316L stainless steel
- Foot pump and powered lift available
- Delrin rollers and bushings
- Battery powered, air powered and A/C powered
- Platform sizes to 48" x 72" (1,200mm x 1,600 mm)
- Lift heights to 78" high
- Nickel plated and stainless and washdown pumps

Foot Pump Models

Model	Capacity	Lowered lift	Raised height	Platform size	Lower Height
SL SS34-05	500 lbs	16"	34"	24" x 36"	36" x 48"
SL SS34-10	1,000 lbs	16"	34"	24" x 36"	36" x 48"

Double Foot Pump Models

Model	Capacity	Lowered lift	Raised height	Platform size	Lower Height
SL SSD54-05	500 lbs	18"	72"	24" x 36"	36" x 48"
SL SSD54-10	1,000 lbs	18"	72"	24" x 36"	36" x 48"

Powered Models

Model	Capacity	Lowered lift	Raised height	Platform size	Lower Height
SL SSP34-05	500 lbs	16"	34"	24" x 36"	48" x 60"
SL SSP34-10	1,000 lbs	16"	34"	24" x 36"	48" x 60"
SL SSP34-15	1,500 lbs	16"	34"	24" x 36"	48" x 60"
SL SSP34-20	2,000 lbs	16"	34"	24" x 36"	48" x 60"

Double Powered Models

Model	Capacity	Lowered lift	Raised height	Platform size	Lower Height
SL SSP60-05	500 lbs	18"	78"	36" x 48"	60" x 72"
SL SSP60-10	1,000 lbs	18"	78"	36" x 48"	60" x 72"
SL SSP60-15	1,500 lbs	18"	78"	36" x 48"	60" x 72"
SL SSP60-20	2,000 lbs	18"	78"	36" x 48"	60" x 72"
SL SSP60-30	3,000 lbs	18"	78"	36" x 48"	60" x 72"
SL SSP60-40	4,000 lbs	18"	78"	36" x 48"	60" x 72"



Stainless Steel “E” Low Profile Lift Table Load With A Pallet Truck



Features

- 304 and 316 Stainless steel
- Can be loaded with a pallet truck
- Wash down motor and Nema 4 controls standard
- Lowered height 4.1 inches
- 3000 lb capacity or 1380 Kg capacity

Options

- Stainless steel motor
- Nema 4X Sloped control panels
- 2200 lb option with stainless cylinders
- 230/460/600 three phase available



Technical data

Model SL SS LP E	
Lowered height	Raised height
4.1 inches	34.1 inches
110 volt power pack	

Stainless Steel Economy Lift Tables Foot Pump Operated



Features

- High quality 304L and 316L stainless steel
- Capacities 150 kg to 1,000 kg
- Safety clearance between scissors to prevent from trapping
- Swivel wheel with protection frame and brake to prevent foot from injury
- Built-in relief valve to fulfil overload protection
- For use in food and medicine industry
- Other capacities available



Technical data

Model	SL B SS50 - SINGLE SCISSOR
Capacity	500 kg 1,102 lbs
Material	304 Stainless steel
Platform size	828mm x 498mm 32.6" x 19.7"
Lowered height	330mm 13"
Raised height	950mm 37.4"



Self Adjusting Spring Loaded Pallet Positioner 4,000 lbs capacity



Features

- Automatically keeps pallet or stillage loads at an optimum working height when loading or unloading goods
- Dramatically reduces the effort required to palletise goods
- Built-in turntable allows simple load rotation and access to all sides
- Fork pockets

MODEL SPP 360-200		
CAPACITY	2,000 kg	4,000 lbs
PLATFORM DIAMETER	1,100 mm	43.6"
MINIMUM PLATFORM HEIGHT	230 mm	9.6"
MAXIMUM PLATFORM HEIGHT	706 mm	27 ¾"
BASE SIZE	916 mm x 934 mm	36" x 36 ¾"

Stainless Steel Self Adjusting Lift Tables



Features

- Solid formed platform and base frame eliminating cracks and crevices
- Bolt together designs eliminating pinholes in welds and potential holes where bacteria can hide
- Delrin rollers and delrin bushings and bearings eliminating rust from teflon bushings and steel bearings leaking into your process
- Optional sanitation package that keeps your lift off the floor, making it simpler to clean your facility
- Air eliminates springs that will rust and crack and eventually fail
- Self adjusting and operator adjusted designs for the best ergonomic options
- Large rotator rollers for improved ergonomics

Options

- Stainless feet
- Fork pockets
- Stainless Bellows
- Clean room Bellows
- Fixed platform
- Rectangular platform



Bolt Together



Delrin Rollers and Bearings



Sanitation Package



Stainless Steel Double Scissor Lifts

Capacities 2,000 lbs to 6,000 lbs



Features

- Capacities from 2,000 lbs to 6,000 lbs
- Lift heights to 144"
- Tube and non tube units available
- Delrin rollers and Delrin bushings
- 100% grade 8 bolts
- Lift heights to 144'



Options include rotators, railings and sanitation package

60" Lift

Model	Capacity	Platform sizes	Base sizes	Lower Height	Raised Height	Up speed	Motor HP	Shipping weight
DSL-SS-60-20	2,000 lbs	30" x 48"	30" x 48"	10"	70"	35 sec	1	1,800lbs
DSL-SS-60-40	4,000 lbs	30" x 48"	30" x 48"	14"	74"	70 sec	1	1,800lbs
DSL-SS-60-60	6,000 lbs	30" x 48"	30" x 48"	16"	76"	90 sec	1	1,800lbs

72" Lift

Model	Capacity	Platform sizes	Base sizes	Lower Height	Raised Height	Up speed	Motor HP	Shipping weight
DSL-SS-72-20	2,000 lbs	30" x 60"	30" x 60"	10"	82"	45 sec	1	2,000lbs
DSL-SS-72-40	4,000 lbs	30" x 60"	30" x 60"	14"	86"	90 sec	1	2,000lbs
DSL-SS-72-60	6,000 lbs	30" x 60"	30" x 60"	16"	88"	110 sec	1	2,000lbs

96" Lift

Model	Capacity	Platform sizes	Base sizes	Lower Height	Raised Height	Up speed	Motor HP	Shipping weight
DSL-SS-96-20	2,000 lbs	48" x 84"	48" x 72"	10"	106"	60 sec	3	3,000lbs
DSL-SS-96-40	4,000 lbs	48" x 84"	48" x 72"	14"	110"	70 sec	3	3,000lbs
DSL-SS-96-60	6,000 lbs	48" x 84"	48" x 72"	16"	114"	90 sec	3	3,000lbs

Stainless Steel Double Portable Lift Table

Capacities 1,100 lbs



Features

- 304 stainless steel
- Battery powered
- Platform sizes 35.6" x 19.7"
- Delrin rollers and Delrin bushings
- 100% grade 8 bolts
- Other platform sizes available

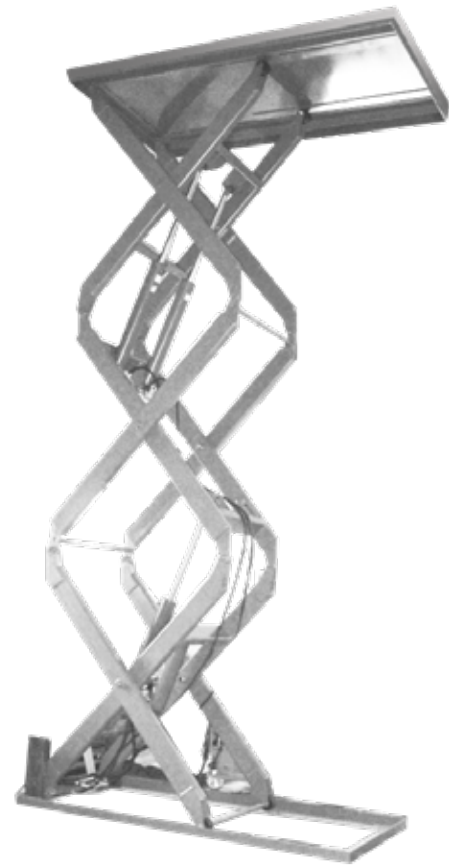
Model	Capacity	Platform Sizes	Lower Height	Raised Height
DSL-P-59-11	1,100 lbs	19.7" x 35.6"	14.25"	59"





Stainless Steel Triple Scissors Lift Tables

Capacities 1,000 to 10,000lbs - From 72" up to 126" lift height



Features

- Raise up to 10,000 lbs of men and material to heights of 216"
- Fits heavy loads in small footprint and will go where no other heavy equipment can travel
- Stationary manlifts or as mezzanine lifts for your facility
- Quad lifts as well as stainless steel models for clean rooms.



Stainless Steel Ground Level Scissor Lifts

Capacities up to 4,500 lbs



Features

- Life time no lubrication
- Formed Platform
- Rugged welded frames
- Overload Protection with built in pressure relief valves
- Delrin rollers
- North American Components



Options

- Conveyor
- Ball Transfer
- Safety Skirts
- Photo Eyes
- Tilts
- Low Profile
- Galvanized
- Custom Paint
- Custom Sizes

Flow through platforms available

32" Lift

Model	Capacity	Platform sizes	Base sizes	Lower height	Raised height	Shipping weight
SL SLGL 32-20	2,000 lbs	44" x 48"	63" x 54"	3/8"	32"	1,400 lbs
SL SLGL 32-201	2,000 lbs	48" x 48"	67" x 54"	3/8"	32"	1,600 lbs
SL SLGL 32-40	4,000 lbs	42" x 48"	63" x 54"	1/2"	32"	1,410 lbs
SL SLGL 32-401	4,000 lbs	48" x 48"	67" x 54"	1/2"	32"	1,650 lbs
SL SLGL 32-60	6,000 lbs	48" x 48"	63" x 54"	1/2"	32"	1,750 lbs



Stainless Steel Semi Portable Ground Level Lift

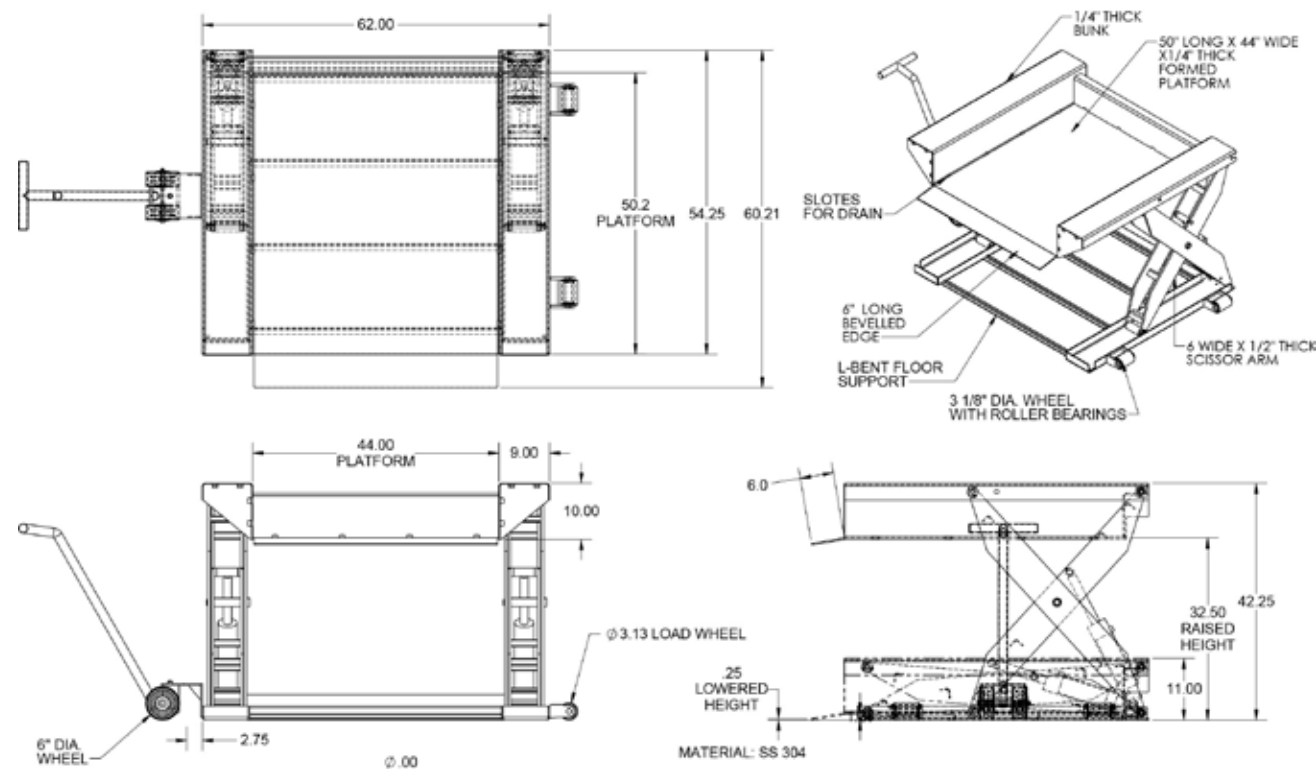
Lift Capacity up to 4,000 lbs



Features

- Up to 4,000lbs capacity
- Ground level loading
- Move when empty for sanitation purposes
- 304 stainless steel
- Stainless steel cylinders
- Full continuous welds
- Wash down motor

Drawings



Stainless Steel Scissors Lift & Tilt

Capacities to 4,000



Features

- Stainless steel lift and tilt
- Capacities to 4000 lbs
- Tilt angle up to 75 degrees
- Lift heights to 120 inches for ingredients

Options

- Operator Adjusted
- Explosion Proof





Stainless Steel Portable Tote Tilter & Straddle Tote Tilter



Features

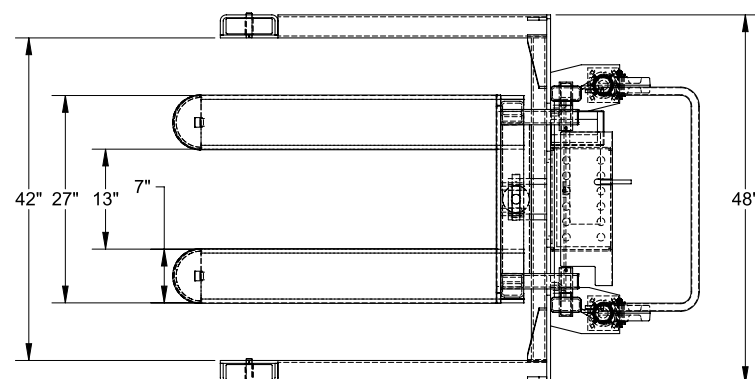
- 304L and 316L Stainless Steel or Epoxy finished
- Up to 90 degrees of tilt angle
- Straddle and fork over styles available
- 2,500lbs capacity
- Ergonomics height of 32" to bottom of tote 110 V and 24 V DC

Specifications

Capacity	2,500 lbs
Construction	Stainless Steel
Lowered height	6.5"
Dump height	34" to 48"
Forks	6" wide x 25" long 15" between forks
Power pack	24 volt DC with hand controls
Tilt angle	85°
Paint	White epoxy



Drawings



Stainless Steel Sanitary Front Loading Ground Level Tilter

2,000 to 3,000 lbs capacity



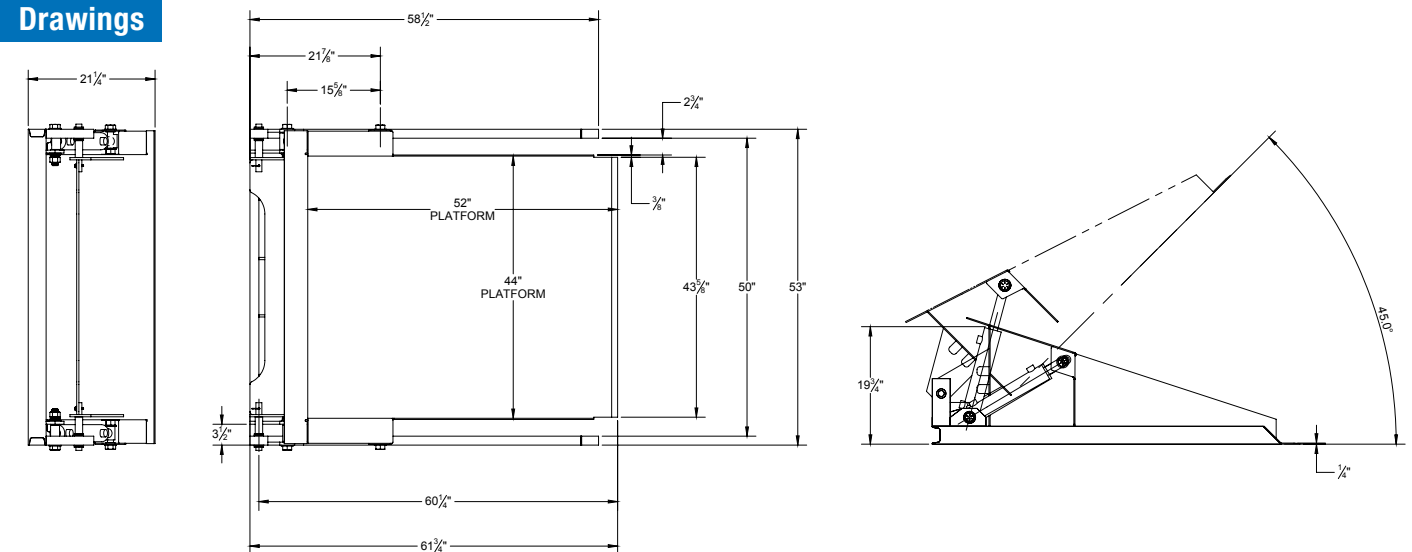
Features

- 304 Stainless steel
- 45° and 75° tilt angles
- Sanitary no weld platform
- Capacity 2,000 lbs to 4,000 lbs
- Washdown motors
- No enclosed metal and no tube

Options

- Stainless steel motor
- Electro polish
- Sloped stainless control panels
- 316 Stainless steel
- Stainless steel cylinders

Drawings



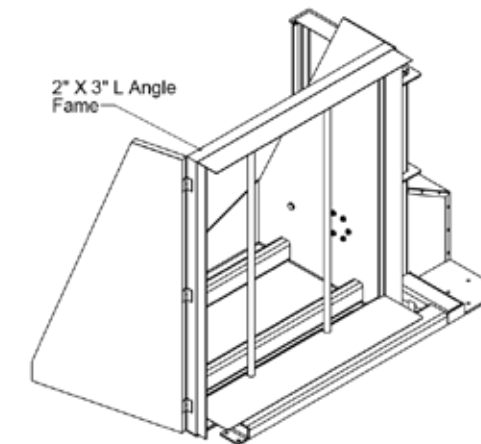
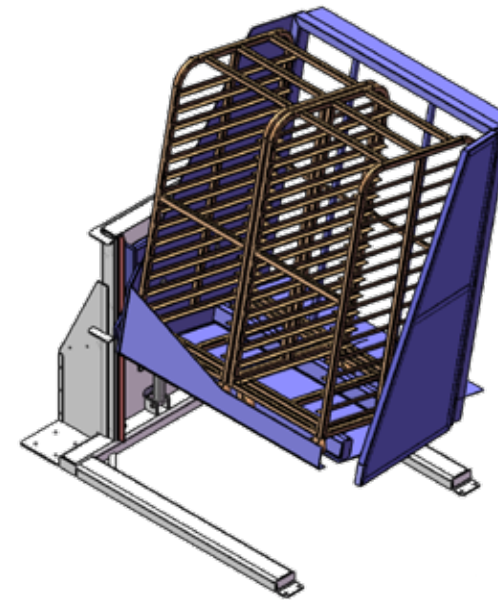
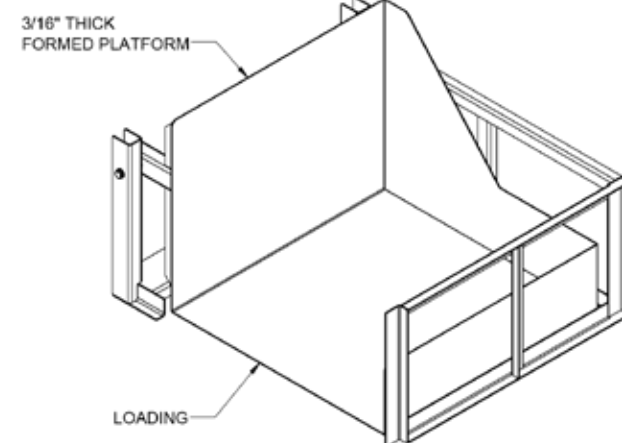
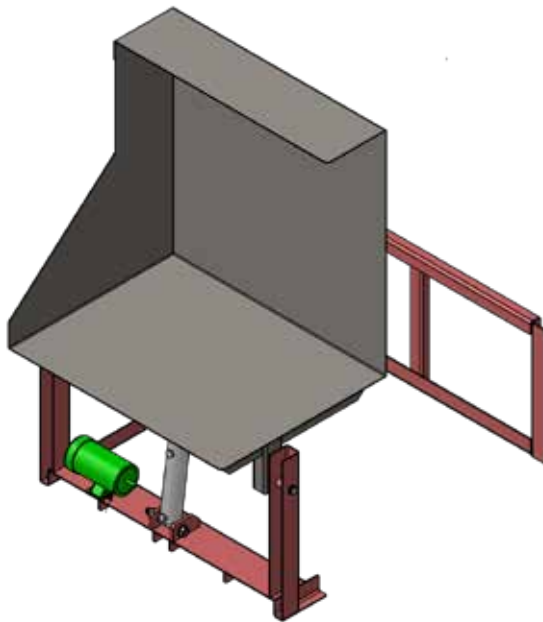
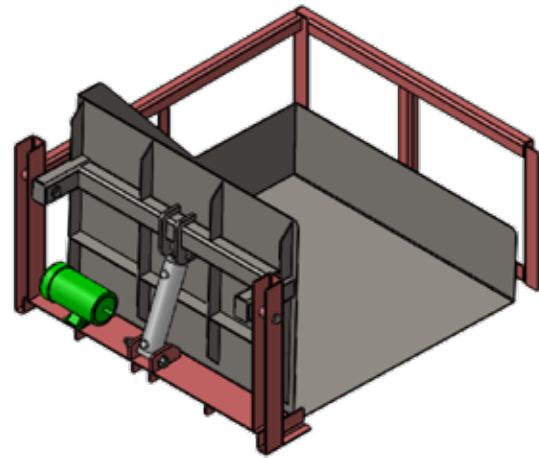


Stainless Steel Side Loading Ground Level Tilter

Stainless Steel Front Loading Lift & Tilt 2,000 lbs capacity

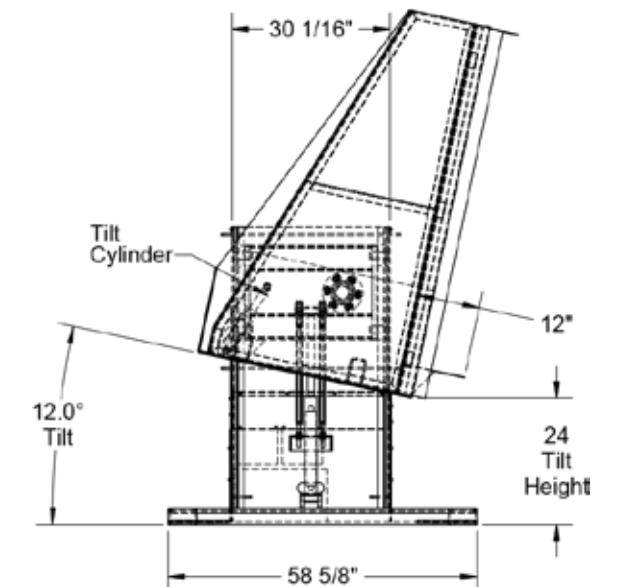
Features

- Side loading
- Stainless steel construction
- 90° Tilt angle
- Stainless steel cylinder
- Wash down motor
- NEMA 4 controls



Features

- 304 Stainless steel
- Adjustable lift
- Adjustable lift
- 2,000 lbs capacity
- Ground level loading
- Adjustable tilting angle





Stainless Steel High Point Tilter

1,000/2,000/3,000 lbs



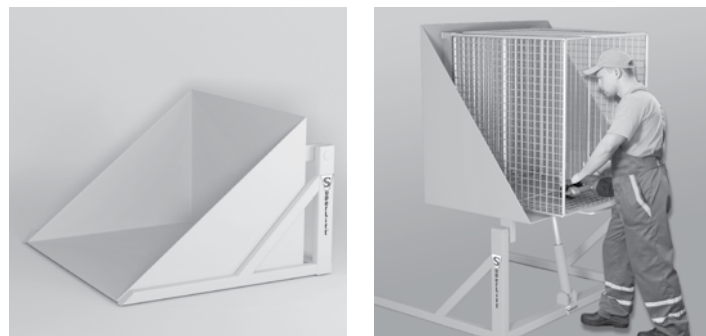
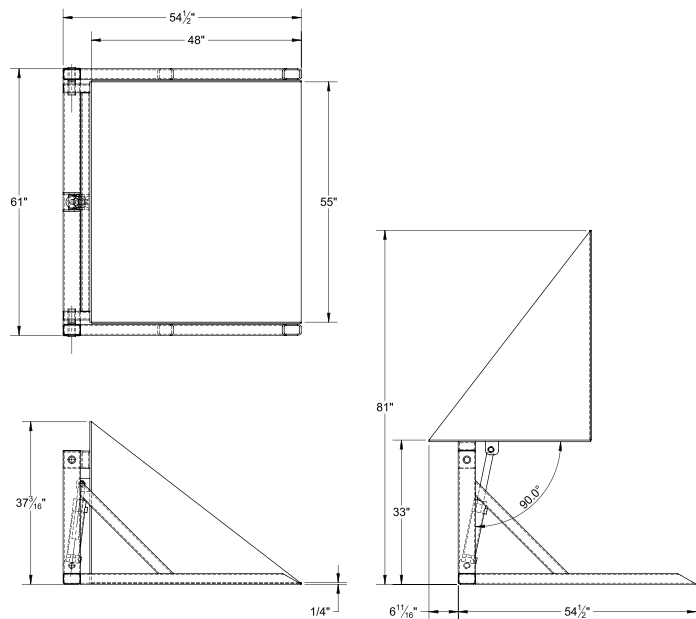
Features

- Ground level loading with pallet truck up to 90 degree tilt angle at 33 inches
- 30 inch reach max in tilted position to end of back plate
- Electric hydraulic
- Hand control standard
- A/C 110/1/60 volt (standard) Hand or foot control
- A/C 460/575/3/60 vol (optional) Hand or foot control

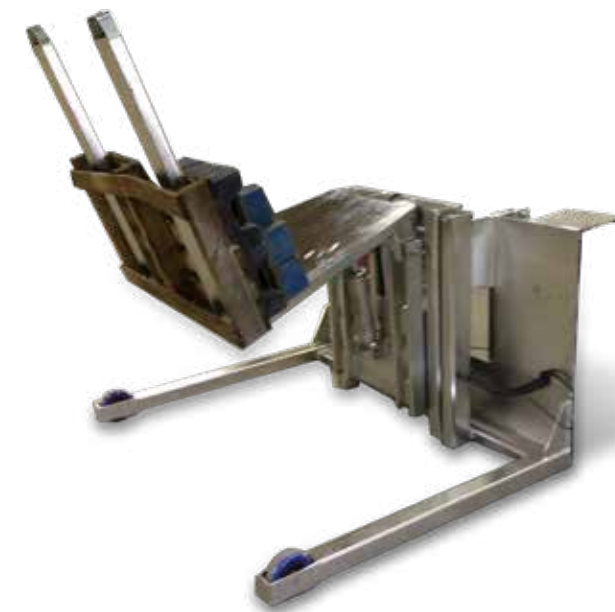
Options

- Increase/restrict tilt angle
- Full plated platform
- Increase/reduce platform size
- Semi-portable c/w dolly handle

Drawings



Stainless Steel IBC Lift & Tilt Ergo Positioner

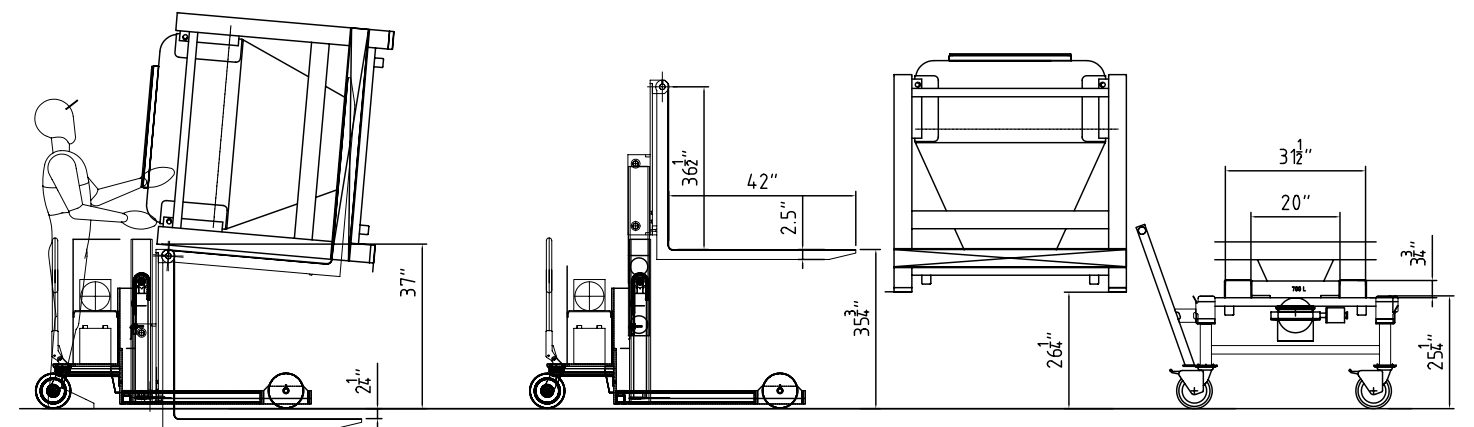


Features

- Stainless steel construction and lift heights to 144"
- Ensures the IBC is in the perfect position for maintenance and cleaning
- Portable push around or portable power driven
- Made in North America
- 100% Stainless steel 304L and 316L
- Available in painted, galvanized and steel it paint
- ?? 230/460 volt or 24 volt DC



Drawings





Stainless Steel Pneumatic Tilter



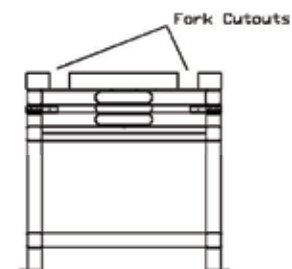
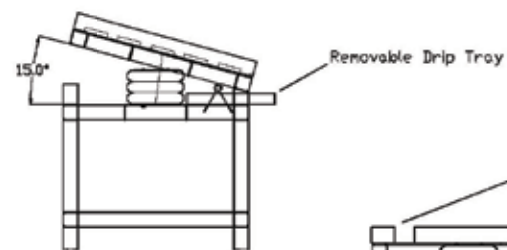
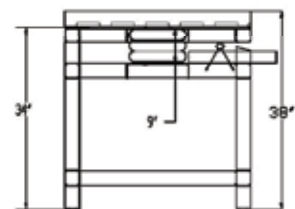
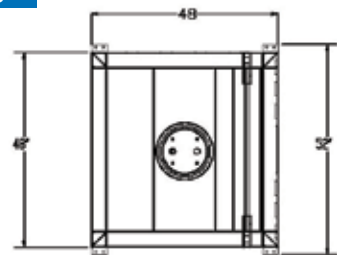
Features

- 100% Stainless steel frame
- Available in 304L and 316L stainless steel
- Capacities 500 to 5,000 lbs
- Finishes 2B, electro polished and 35 RA
- Clean room compliant
- Food, pharmaceutical & other washdown applications
- Floor mounted or stand mounted
- cGMP Models available
- Custom designs
- UL and CE approved
- Air bag powered

Options

- cGMP
- Epoxy coatings, galvanized, nickel plated and linexcoatings available
- Rider platforms
- Horizontal travel models
- Straddle trucks, counterbalance fork over and walkie reach trucks are all available

Drawings



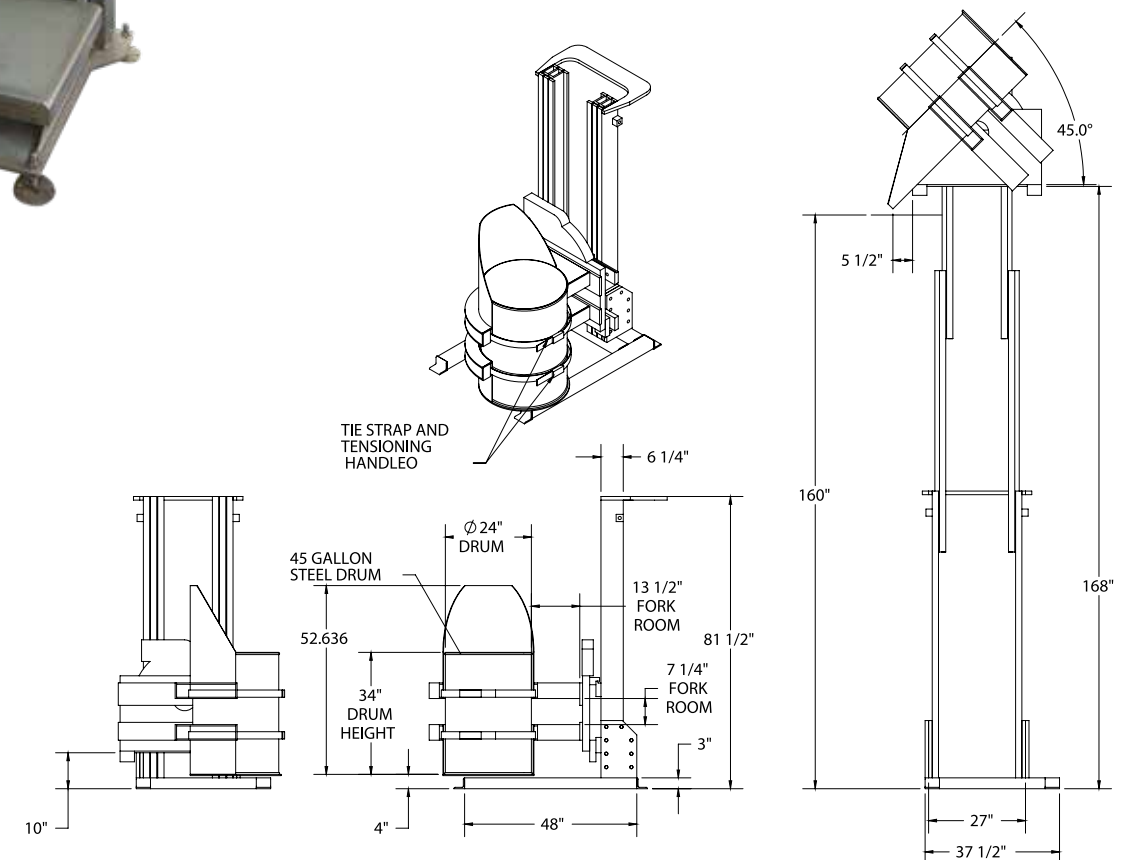
Stainless Steel Pneumatic Column Ingredients Lift

350 lbs capacity



Features

- 304L stainless steel
- Capacities to 350 lbs
- Lift heights to 36 inches
- Ergonomic design
- Fully washdown
- Pneumatic stainless cylinder
- No pinch points
- Sanitary design





Stainless Steel Ground Level Mezzanine Column Lift

Capacity up to 3,000 lbs



Lift height to 120"

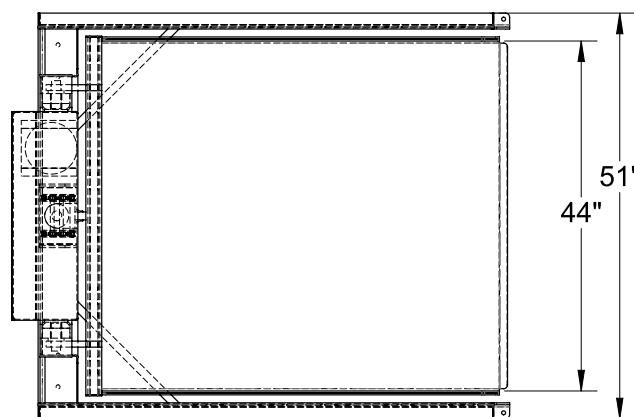
Features

- 304 Stainless steel
- Sanitary no weld platform
- Capacity up to 3,000 lbs
- Wash down motors
- No enclosed metal and no tube
- Front load and Side Loading available Stainless steel motor

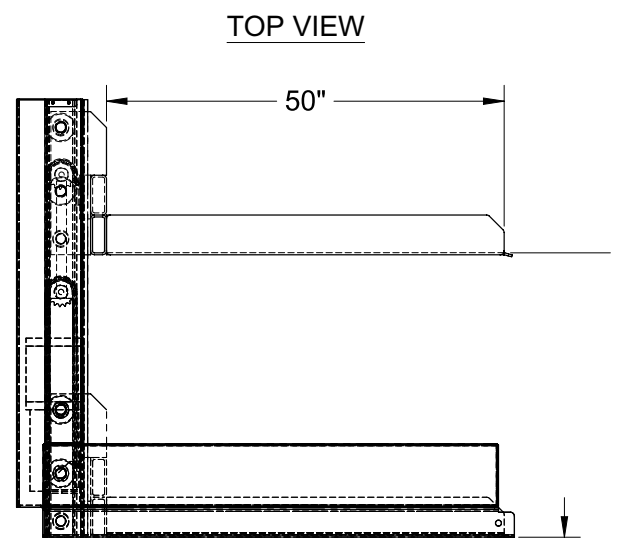
Options

- Electropolish
- Sloped stainless control panels
- 316L Stainless steel
- Stainless steel cylinders

Drawings



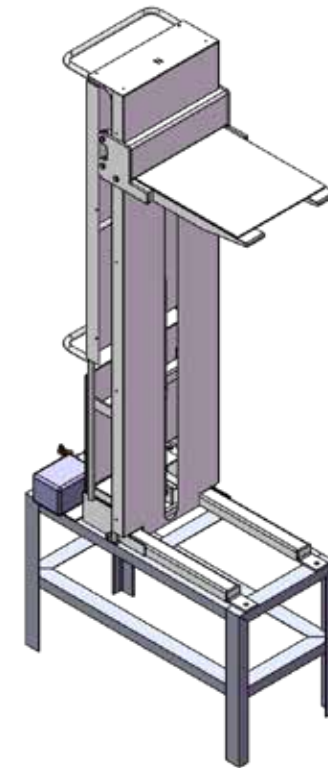
TOP VIEW



FRONT VIEW

Stationary Light Duty Column Lift

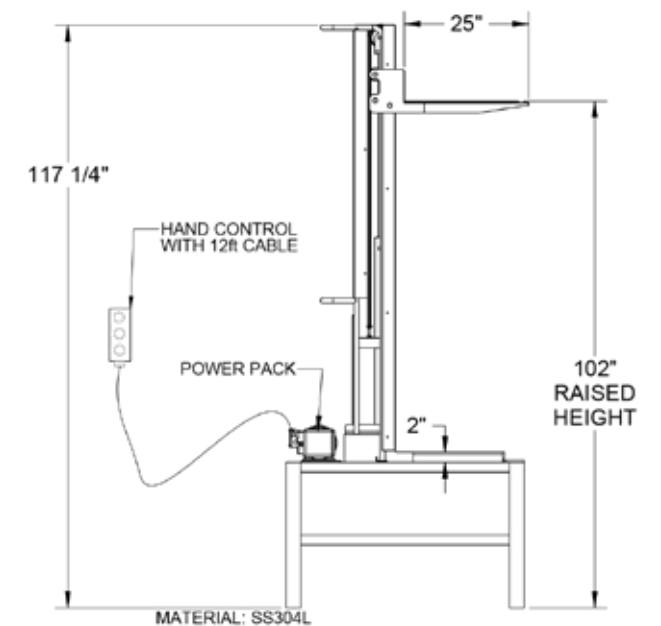
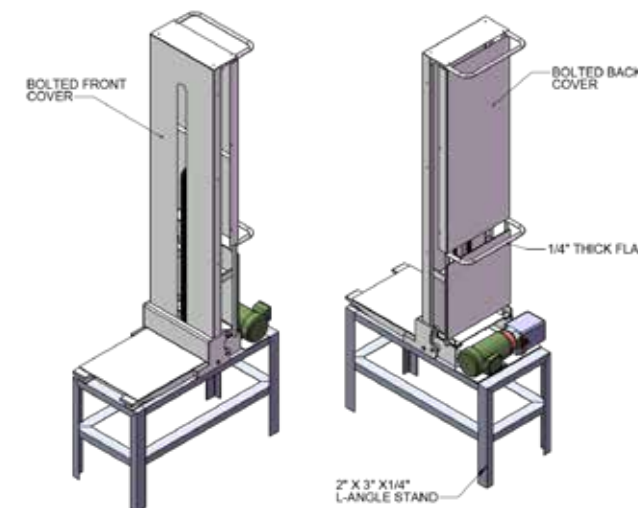
400 lbs capacity - 92" & 102" lift heights



Features

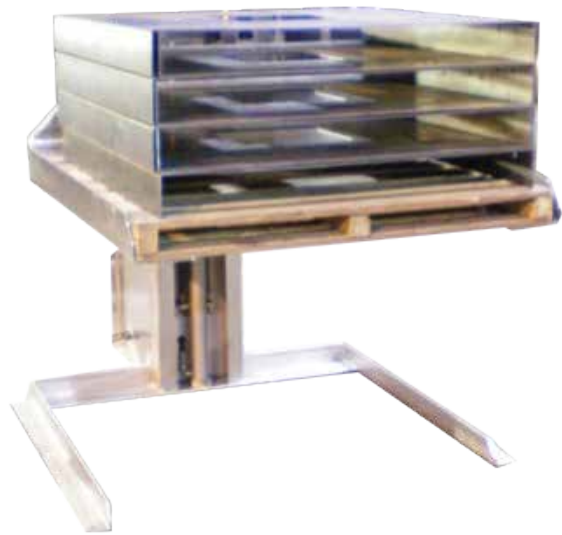
- Capacity 400lbs
- Fork 25" long x 20" OD x 4" width
- Lowered height 32"
- Raised height 102"
- Power pack 110v wash down motor with
- Hand control

Drawings



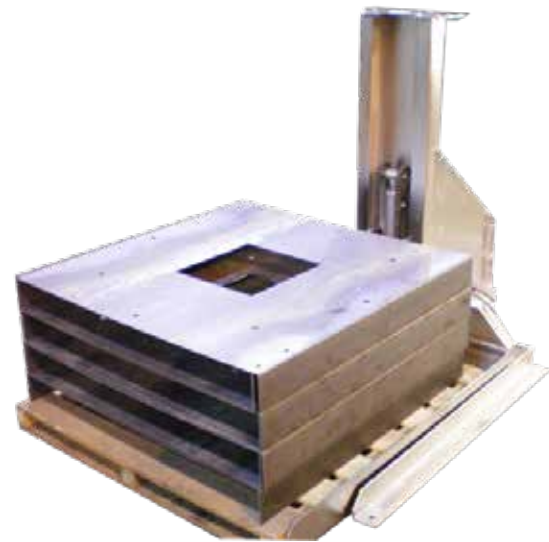


Stainless Steel Light Duty Column Lift 1,000 lbs capacity



Features

- 304 Stainless steel
- 36" and 48" Lift heights
- Wash down power pack
- Clean room compliant
- UL and CSA approved
- Electro polish finish



Stainless Steel Ground Level Column Lift 2,500 lbs capacity

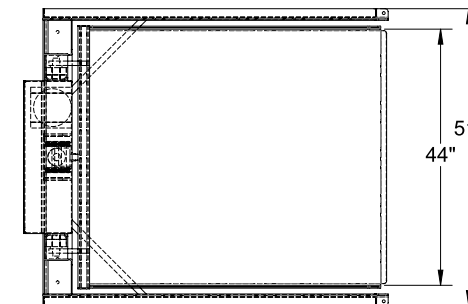


Features

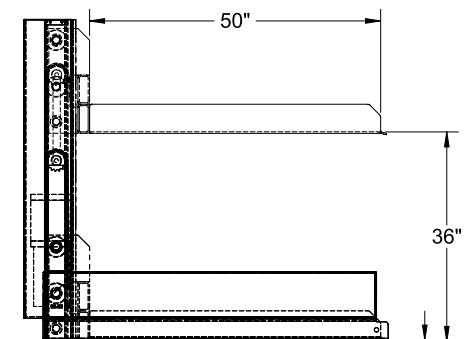
- Life time no lubrication
- Velocity fuses on all cylinders
- Reinforced platforms
- Fully welded frames
- Overload protection with built in pressure relief valves
- Delrin rollers
- North America components

Options

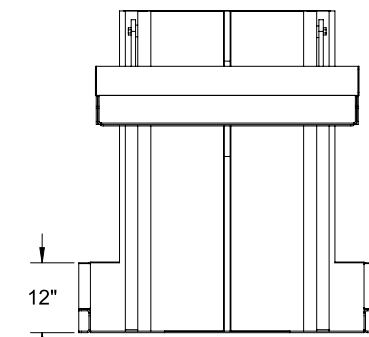
- Ball Transfer
- Photo Eyes
- Electro-mechanic toe guards
- Stainless Steel and Galvanized
- Custom Sizes
- Rotating Platforms



TOP VIEW



FRONT VIEW



SIDE VIEW



Stainless Steel Column & Mezzanine Lifts

600 lbs to 6,000 lbs capacity



Features

- 304L and 316L stainless steel
- Ground level loading
- Front and side loading models
- Lift heights 2 to 240 inches
- Sanitary design reduces cleaning time
- Capacities from 500 lbs to 6,000 lbs
- Operator controlled and automated models
- Meets ANSI standards, TSSA standards available
- cGMP and USDA

Options

- Standard and polished finishes
- Clean room compliant
- Epoxy coated and galvanized available
- Painted mild steel also available
- Stainless steel enclosures and mezzanines are available





ELIMINATOR DUMPERS THE CLEANEST DUMPERS IN THE INDUSTRY

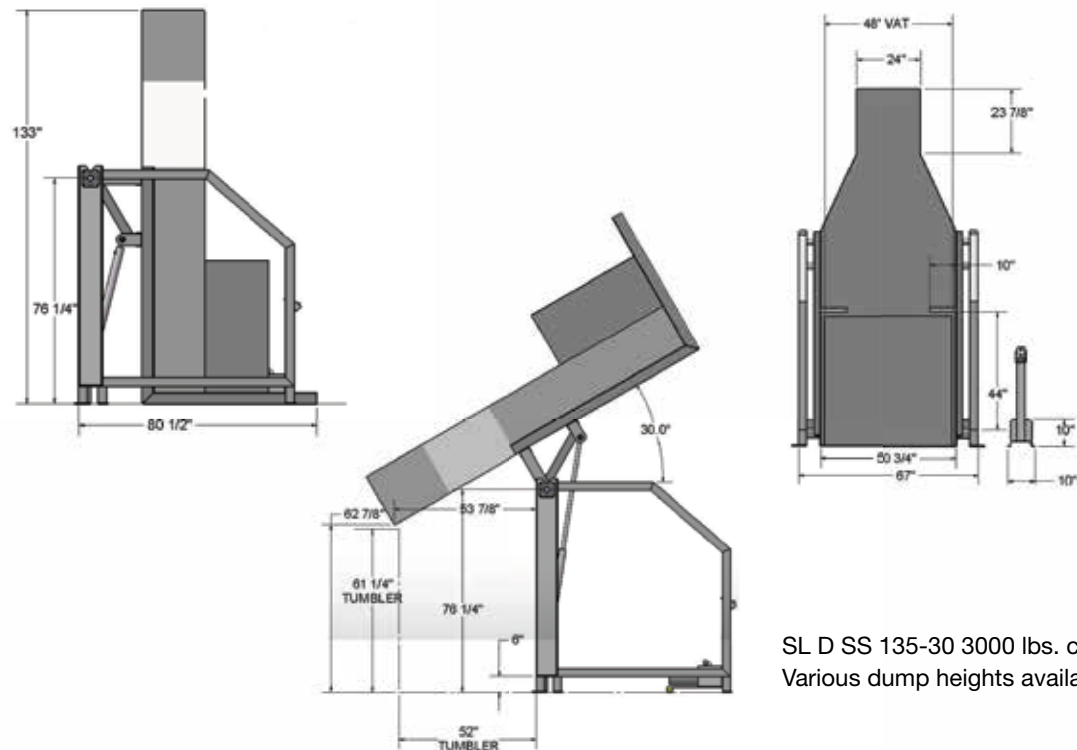
Stainless Steel Ground Level Dumpers



Features

- 100% Stainless steel Angle + Plate Design and no tube is used in the design
- Available in 304L and 316L stainless steel
- Capacities to 3,000 lbs
- Finishes 2B, electro polished
- For washdown applications
- Custom designs
- UL approved
- Faster sanitation times

Drawings



SL D SS 135-30 3000 lbs. capacity
Various dump heights available

Stainless Steel Ground Level Column Dumpers

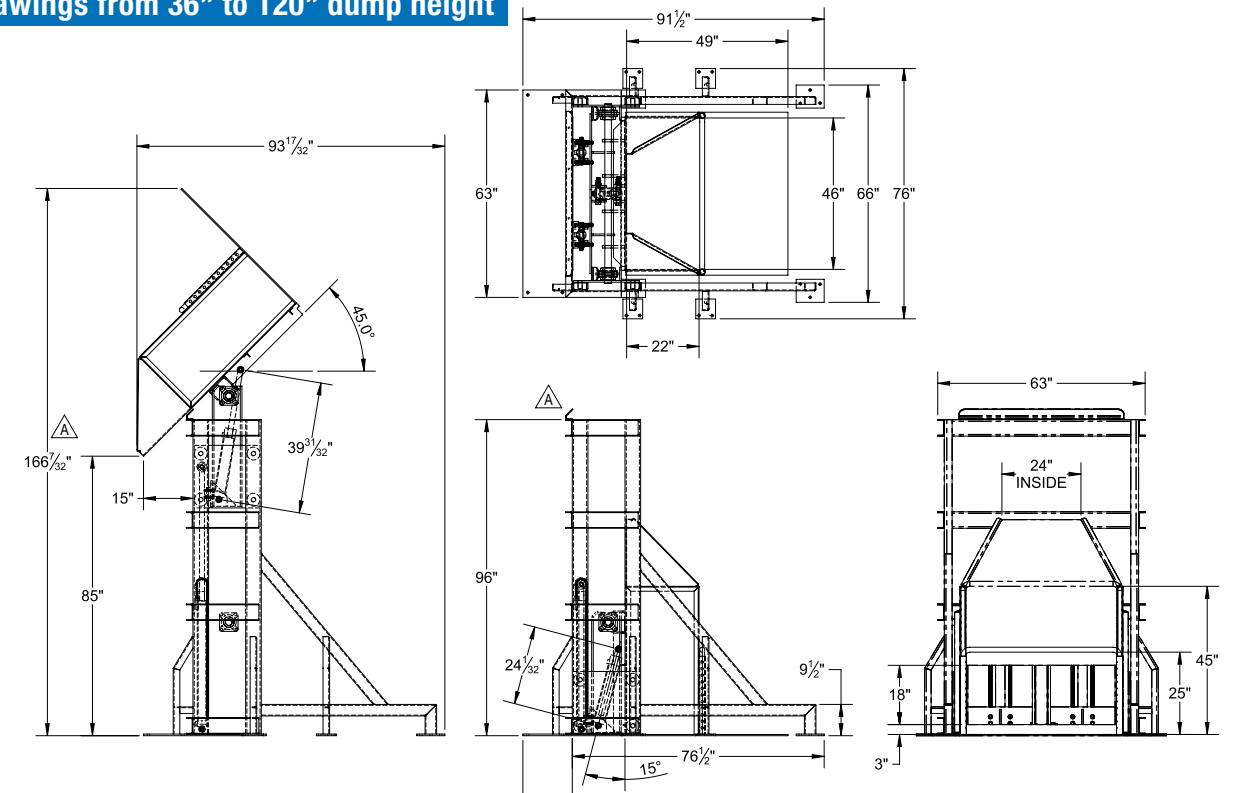


Features

- 500 lbs to 3,500 lbs capacity
- No tube or enclosed material
- 304L or 316L stainless steel
- Dump angle to 135°
- Up to 10 feet dump heights
- Ground level loading
- Faster sanitation times

Eliminates the possibility of listeria or bacteria

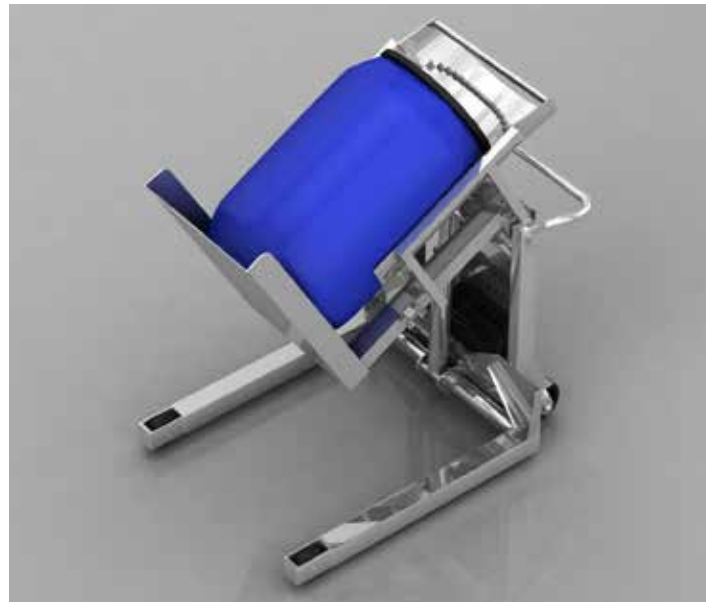
Sample Drawings from 36" to 120" dump height





Stainless Steel Portable Tipper/Dumpers

Sanitary Design for Drums, IBC's and Combo's

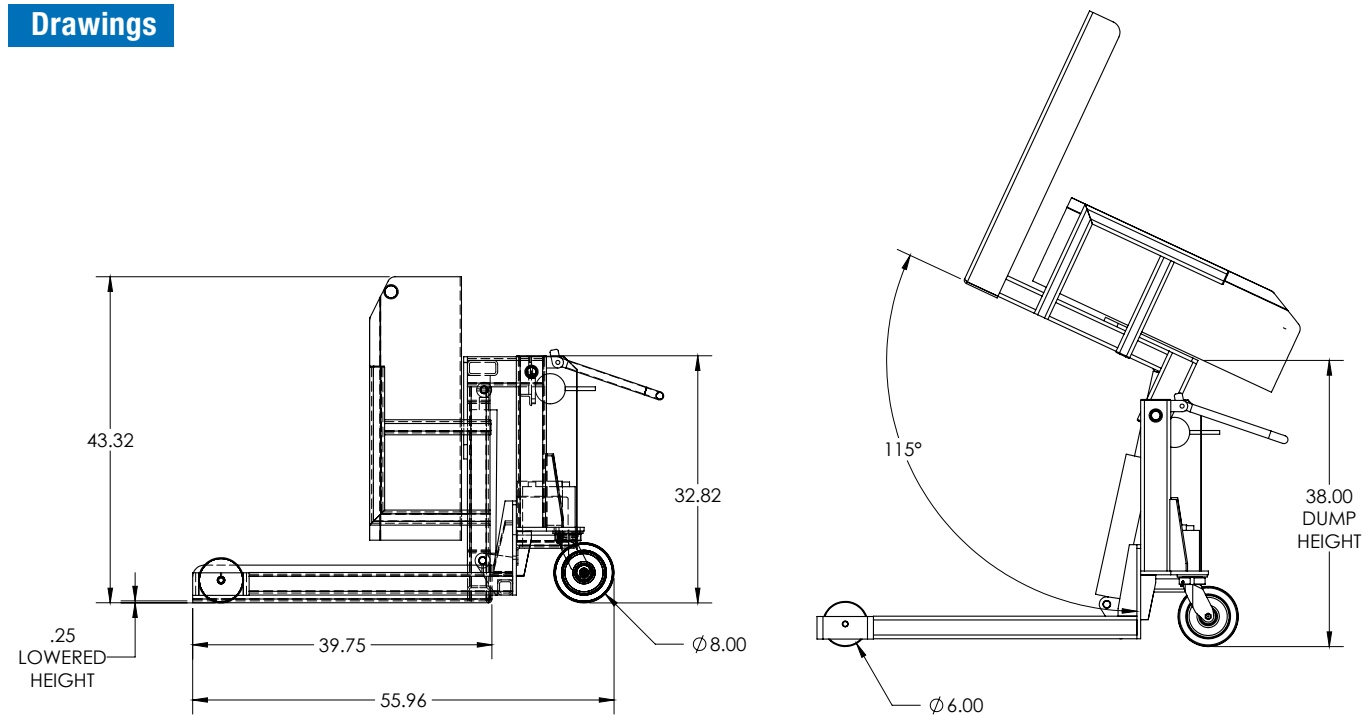


Features

- 38", 48" and 60" tipping height
- Up to 115 degree tipping angle
- 1,000 lbs capacity
- Stainless Steel

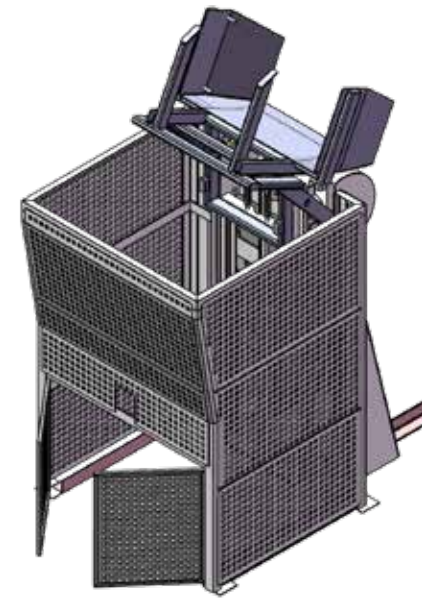


Drawings



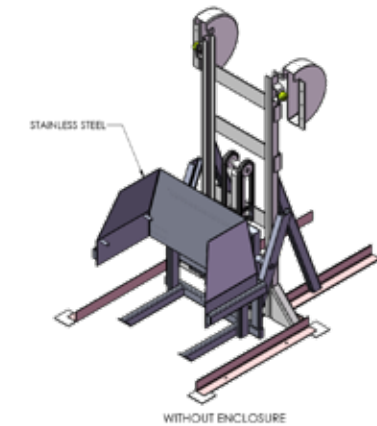
Stainless Steel Fully Enclosed Dumpers

3,500 lbs Capacity - Dump Heights Up To 120"

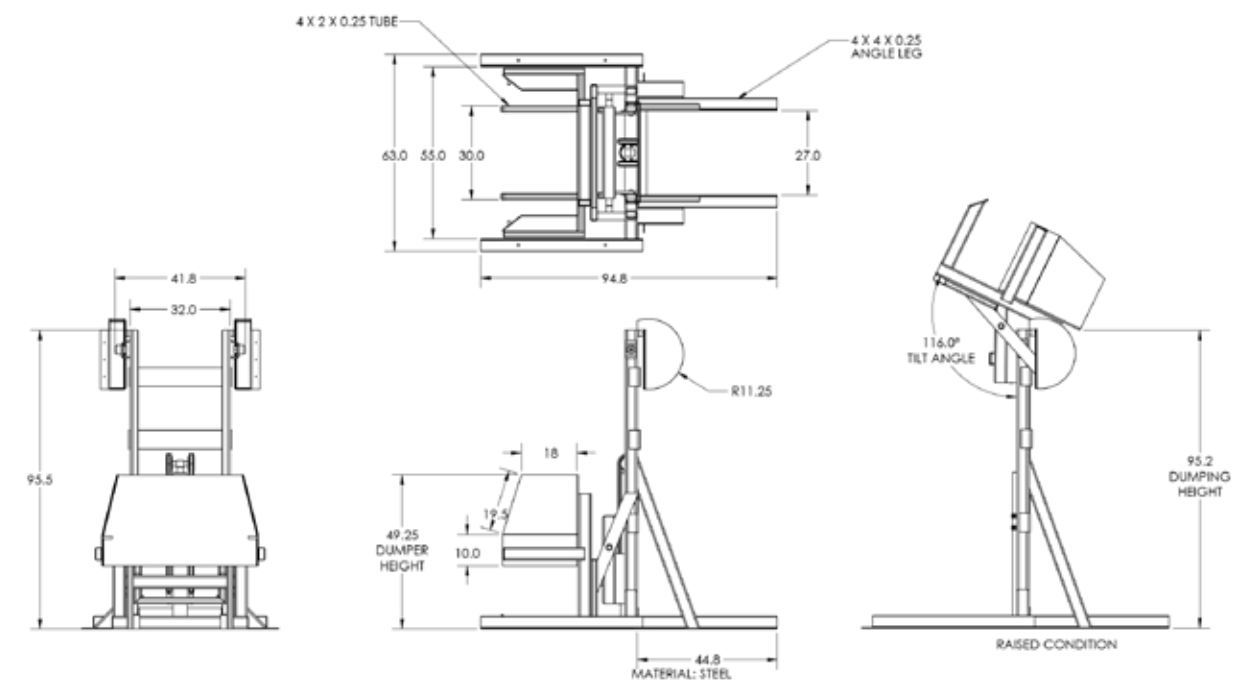


Features

- 304 and 316 stainless steel available
- Fully enclosed with interlocks
- Automatic dumping
- Safety loading



Drawings





Stainless Steel Push Stacker Portable Ingredients Lift



Features

- 100% Stainless steel frame carriage, forks and undercarriage
- Available in 304L and 316L stainless steel
- Capacities 500 to 2,500 lbs
- Finishes 2B, electro polished and 35 RA
- Clean room compliant
- For Food, pharmaceutical,
- Custom fork sizes
- cGMP Models available
- Lift heights to 189 inches
- Custom designs
- UL and CE approved chemical and other washdown applications

Technical data

Model	Capacity	Voltage	Height	Fork
SL SS PS 10	1,000 lbs	24 V	20" - 120"	
SL SS PS 20	2,000 lbs	24 V	20" - 120"	36"-72" long
SL SS PS 25	2,500 lbs	24 V	20" - 120"	

Stainless Steel Electric High Lift Scissor Truck 3,300 lbs capacity



Features

- World class quality and performance
- For use in meat and other food industry, dairy canning and all areas where corrosive acids and saline solutions are used
- Single stage cylinder
- No decrease of capacity
- No risk of leakage
- No dangerous dropping of second stage cylinder
- With built-in charger or built-out charger on customer's request
- Custom Paint
- Custom Sizes

	ACS1558M	ACS1554M
Type	Electric	Electric
Rated Capacity	1,500kg 3,300 lbs	1,500kg 3,300 lbs
Max. Fork Height	800mm 315"	800mm 315"
Min. Fork Height	85 ±w 2mm 33.5" ± 0.75"	85 ± 2mm 33.5" ± 0.75"
Size of Fork	160mm x 50mm 63" x 19.6"	160mm x 50mm 63" x 19.6"
Width Overall Fork	680mm 26.7"	540mm 21"
Length of Fork	1150mm 452.7"	1150mm 452.7"
Fork Roller	80mm x 70mm 31.4" x 27.5"	80mm x 70mm 31.4" x 27.5"
Steering Wheel	180mm x 50mm 70.8" x 19.6"	180mm x 50mm 70.8" x 19.6"
Battery	12V/60AH	12V/60AH
Lifting Motor	0.8 KW	0.8 KW
Net Weight	165kg 286.6lb	160kg 352lb



Stainless Steel Manual Pallet Truck

27" x 48" Forks - 5,000 lbs capacity



Features

- 304L and 316L Stainless Steel
- Up to 4,000 lb capacity
- Wider forks to 36" wide
- Longer forks to 96" long
- Narrow or wider forks
- North American Stainless

20.5" x 48" Forks available



Stainless Steel Clean Room Straddle Stacker

Capacities Up To 4,500 lbs



Features

- 100% Stainless steel frame carriage, forks and undercarriage
- Available in 304L and 316L stainless steel
- Capacities 500 to 5,000 lbs
- Finishes 2B, electro polished and 35 RA
- Clean room compliant
- For Food, pharmaceutical, chemical and other washdown applications
- Custom fork sizes
- cGMP Models available
- Lift heights to 189 inches
- Custom designs
- UL and CE approved

Options

- Capacities up to 4,500lbs
- cGMP
- Other lift height
- Straddle trucks, counterbalance fork over and walkie reach trucks are all available



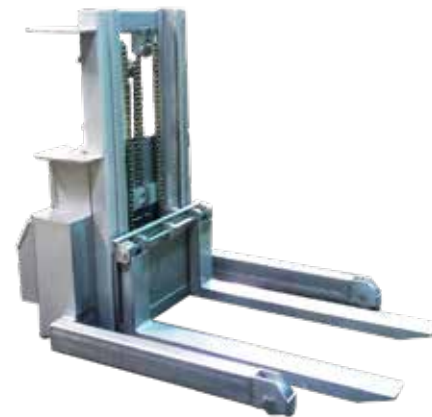


Stainless Steel Tight Turning Straddle Stacker 1,000 to 3,000 lbs capacity

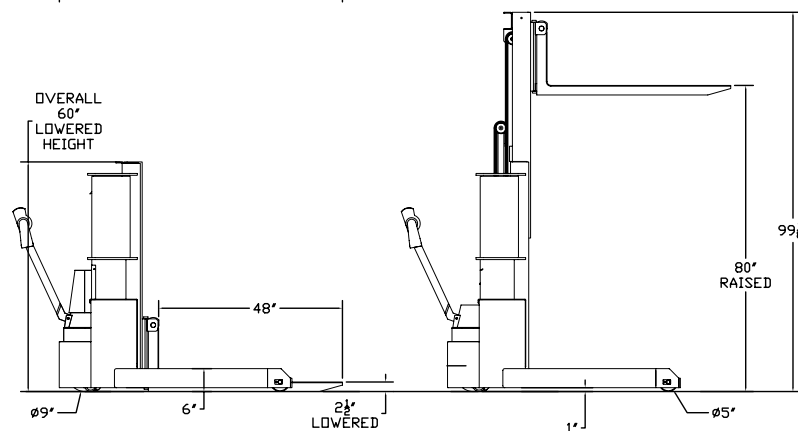
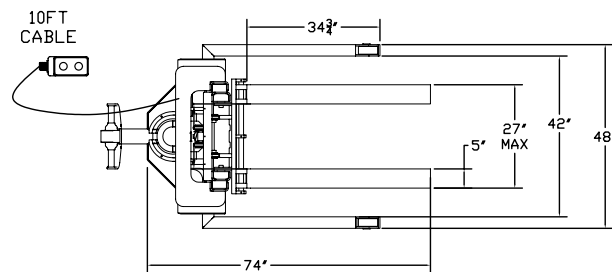


Features

- Heavy capacity for lifting IBC's and other ingredients pallets with the smallest footprint available.
- 1,000 to 3,000 lbs capacity
- Built in charger
- 304L and 316L stainless
- 83" lowered mast height with lift height to 144"
- Single, double and triple mast



Drawings



Stainless Steel Pharmaceutical Grade Pallet Truck - 4,500 lbs Capacity | 27" x 48" Forks



Features

- 100% Stainless steel frame carriage, forks and undercarriage
- Available in 304L and 316L stainless steel
- Capacities 500 to 10,000
- Finishes 2B, electro polished and 35 RA
- Clean room compliant
- For Food, pharmaceutical, chemical and other demanding application
- Custom fork for lengths and widths
- cGMP Models available
- 24 Volt E and EE ratings galvanized, powder coated and epoxy steel it painted models available

Options

- Stainless steel Platform trucks to 6,000 capacity
- Available in lift heights to 36"
- Custom sizes to 10,000 lbs capacity



Stainless Steel Pallet Truck 4,500 lbs Capacity



Features

- 316 Stainless Steel
- 4,500lbs capacity
- Full stainless steel construction with battery and charger

Stainless Steel Uplift Pallet Trucks Capacity 3,300 lbs



Features

- 3,000 lbs capacity
- 304 L
- 27" x 48" forks
- Lithium battery
- Small profile for clean room and RTE food application

- Manufactured entirely of stainless steel and specially designed for corrosive environments and other applications
- In compliance with high standards of hygiene, such as food processing and pharmaceutical industries

Options

- 316L Stainless steel
- Rider platforms
- Capacities to 10,000 lbs

General data		
Manufacturer's type designation	PTE15N	
Drive	Battery	
Operator type	Pedestrian	
Load capacity/rated load	1.5 T	
Load centre distance	23.6"	
Load distance centre or drive axle to fork	37.2"	
Wheelbase	46.5"	
Weight		
Service weight	271lbs	277lbs
Axle loading, laden front/rear	1,102lbs/2,475lbs	1,380lbs/2,204lbs
Axle loading, unladen front/rear	211lbs/59.5lbs	218lbs/59lbs



Stainless Steel Reach Truck



Features

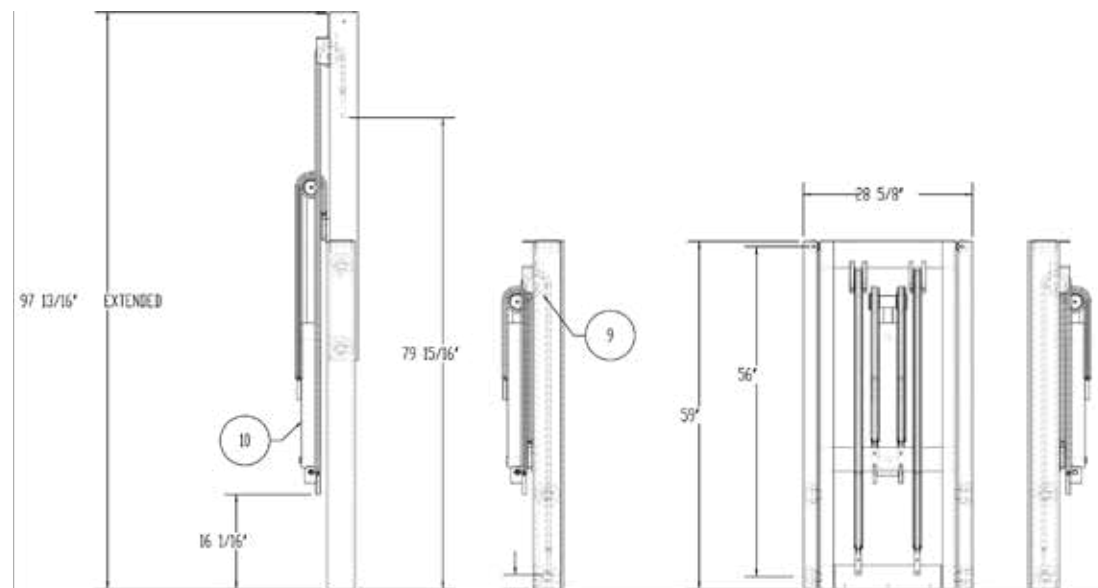
- Up to 3,000 lbs capacity
- 304L Stainless steel
- 24" reach mechanism
- Tilting forks

Options

- 316L Stainless steel
- Rider platforms



The speed control provides fingertip control for driving the truck



Stainless Steel Movable Mast Reach Truck 1,000 to 2,000 lbs capacity

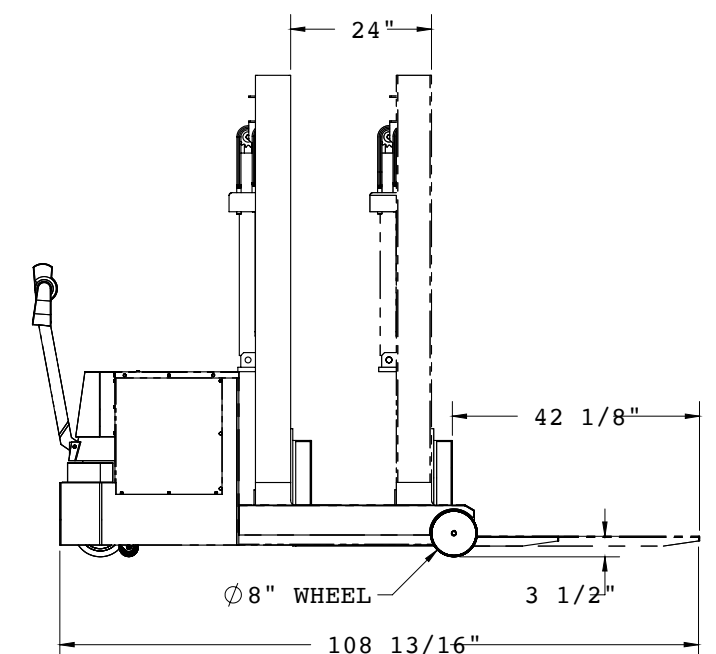
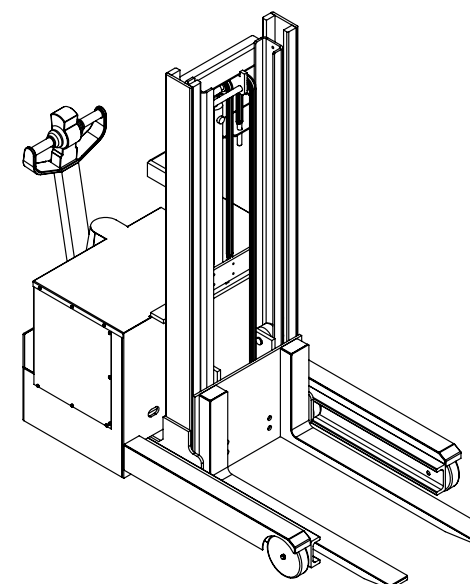


Features

- Movable Mast European Style
- Pantogram Scissor Style from North America
- 1,000 to 2,000 lbs capacity
- A/C Drives
- 304L or 316L Stainless Steel
- T.G. Welded Fully Welded



Drawings





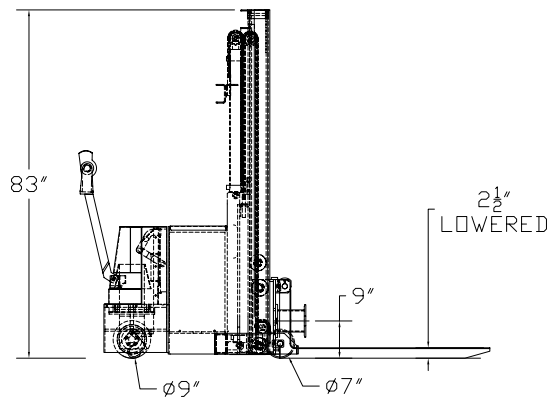
Stainless Steel Counterbalance Stacker

Stainless Steel Walkie Fork Over Stacker Up to 4,000 lbs



Features

- 100% Stainless steel frame carriage, forks and undercarriage
- Available in 304L and 316L stainless steel
- Capacities 500 to 5,000 lbs
- Finishes 2B, electro polished and 35 RA
- Clean room compliant
- For Food, pharmaceutical, chemical and other washdown applications
- Custom fork sizes
- cGMP Models available
- Lift heights to 189 inches
- Custom designs



Options

- cGMP
- Epoxy coatings, galvanized, nickel plated and linex coatings available
- Rider platforms
- Horizontal travel models
- Straddle trucks, counterbalance fork over and walkie reach trucks are all available

Technical data

Model	Capacity	Voltage	Height	Fork
SL SS WCB 10	1,000 lbs	24 V	36" x 154"	
SL SS WCB 20	2,000 lbs	24 V	36" x 154"	36"-72" long
SL SS WCB 25	2,500 lbs	24 V	36" x 154"	12"-48" wide
SL SS WCB 30	3,000 lbs	24 V	36" x 154"	



Features

- 100% Stainless steel frame carriage, forks and undercarriage
- Available in 304L and 316L stainless steel
- Capacities 500 to 4,000 lbs
- Finishes 2B, electro polished and 35 RA
- Clean room compliant
- For Food, pharmaceutical, chemical and other washdown applications
- Custom fork sizes
- cGMP Models available
- Lift heights to 189 inches
- Custom designs

Options

- cGMP
- Epoxy coatings, galvanized, nickel plated and linex coatings available
- Rider platforms
- Straddle trucks, counterbalance fork over and walkie reach trucks are all available
- Tight turning models for small clean rooms platforms





Stainless Steel Straddle Truck 3,000 lbs capacity

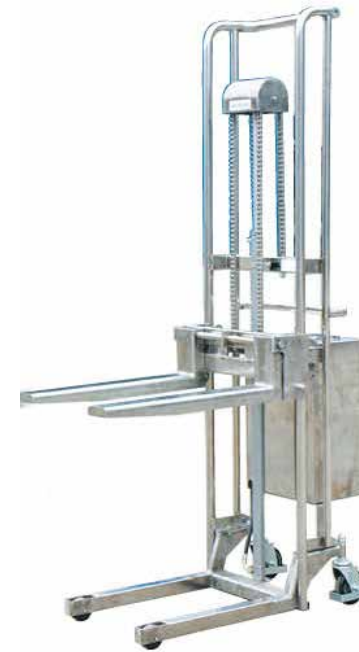


Features

- 304 Stainless steel
- 43" ID Straddle legs
- 51" OD Straddle legs
- 83" Lowered
- 114" Raised height
- Adjustable forks
- Battery and charger

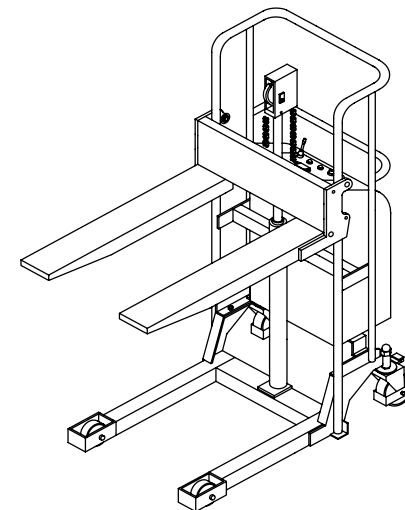


Stainless Steel Portable Light Duty Stacker 800 lbs capacity



Features

- 304 material, good for corrosive acids application
- Simple and easy operation
- Hand push drive
- Overload protection via pressure valve
- Safe operation and secure working conditions
- Stable chassis with 2 frame wheels and 2 steering casters
- Option platform sizes and various fork lengths available
- 72" Lift height



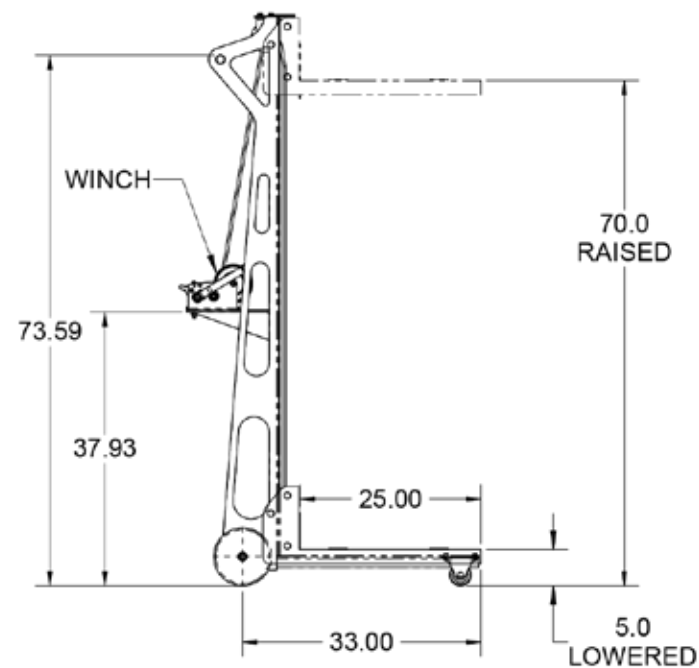
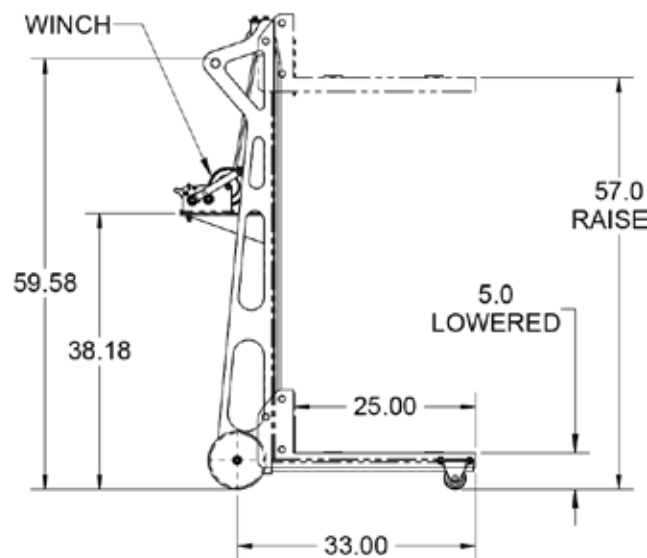


Stainless Steel Winch Lifts 57" and 70"



Features

- North American Stainless Steel
- Winch or Foot Pump Style
- Up to 80" Lift Height V Groove Platform
- Core Ram
- American Made Foot Pump
- With or Without Load Wheels



Stainless Steel Walkie Stacker with Drum Lift

Features

- 1,000 capacity
- 304 Stainless steel
- Powered grip





Stainless Steel Manual Drum Lift



Features

- Removes drums from Pallets and containment skids
- Capacity to 990 lbs or 450 Kg
- 100 % 304 L stainless steel
- Lockable casters, stainless steel cylinder
- Powered drive available



Technical data

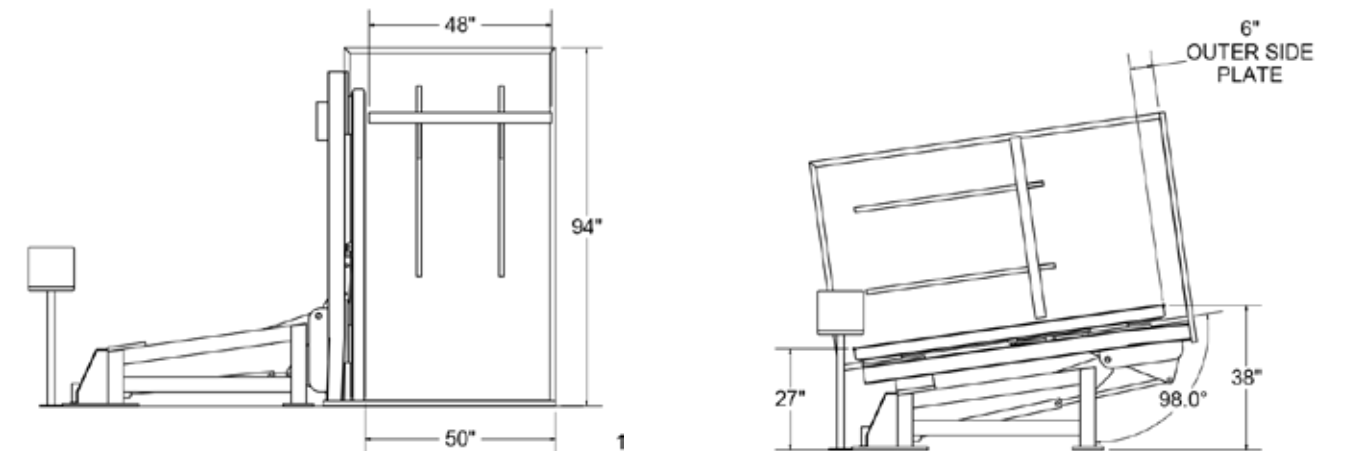
Model	SL SS DL
Lifting Capacity	450kg 992 lbs
Lifting Height	500mm 19.6"
Lifting per stroke	11.6mm 0.45"
Drum size	572mm (22.5"Diam) / 210Lifters (550gallon)
Net Weight	165kg 364 lbs



Stainless Steel Pallet & Standard Pallet Inverter

Features

- 3,000 to 4,500 lbs capacity
- Quality North American components & off the shelf parts for maintenance
- Load with a pallet truck
- Floor level access so the inverter can be loaded with a pallet rack
- Adjustable height clamp from 75" to 120"
- Faster cycle times allows operator to remove pallets and spacers in record times for fast return on investment
- Stainless steel is standard and mild steel, epoxy coated are available
- Off the shelf UL/CSA electrical panels your needs.





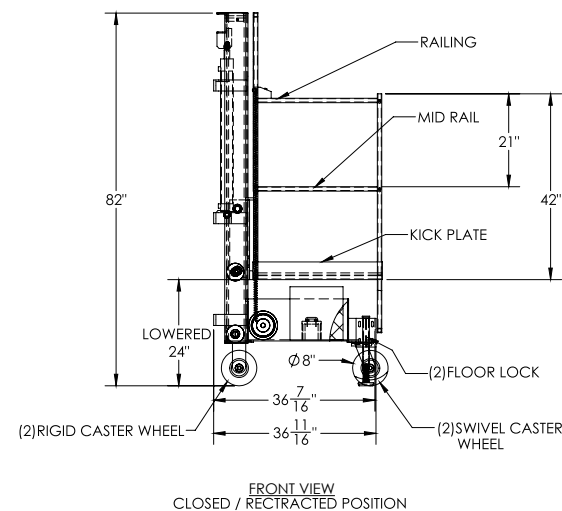
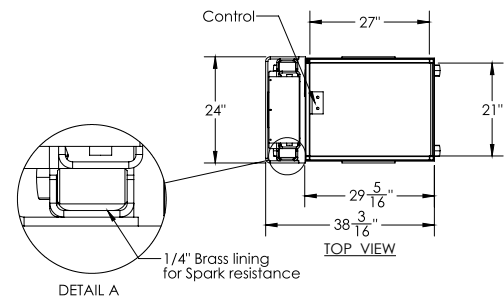
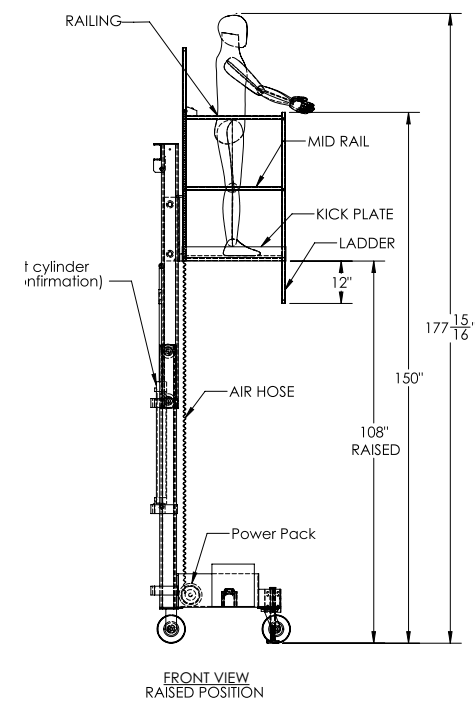
Stainless Steel Clean Room Manlift

Air powered and DC powered 500 lbs



Features

- Operates in factory air
- Fast operating time
- Single and two person models
- Slipnot flooring
- 100% stainless steel
- Various layout and heights available
- Air powered available
- Spark proof available
- Longer platform available



Stainless Steel Push Scissor Style Manlifts

Capacities to 1,000 lbs



Features

- Capacities to 1,000 lbs and lift heights to 144"
- Tube and non tube units available
- Delrin rollers and Delrin bushings





Stainless Steel Tugger 1,500 to 4,000 lbs capacity



Features

- Can be used in a wide variety of applications
- Very compact design makes the machine extremely manoeuvrable
- Very easy to connect the hook to the object in an instant with almost no effort
- High quality Curtis Speed Controller, which is programmable according to your needs
- Increased employee productivity
- Powered lift available



Electric Tug 3,300 lbs capacity



Features

- The very smart and compact design of the Superlift Electric Tug 3,300lbs allow easy pulling operations in low duty applications on short distances
- Foldable handle
- Includes battery and charger

Model	HG-127
Max. Moving Weight	3,330 lbs
Motor	24V/400W
Moving speed	3-6km/h
Curtis controller	24V/70A
Lead acid battery	12V/22Ahx2
Charger	24V/2A
Product size	54.5" x 26" x 40"
Packing size	28.3" x 25" x 24.8"
Net Weight	167 lbs



Portable battery



Foldable handle

Powered Galvanized Ramp

8,000 to 20,000 lbs capacity



Features

- Capacities from 8,000 to 20,000 lbs
- Perfect angles for lower and raised trailer exit
- Platform designed for safe and humane exit for animals
- Heavy duty construction with perforated floors for easy of sanitation
- Holding valves on cylinders
- Nema 4x controls
- Stainless hinges for longevity and easy maintenance



Sample drawings only

* Custom sizes available

