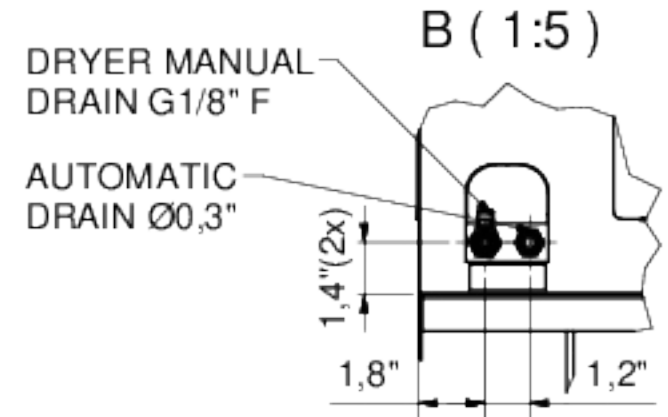
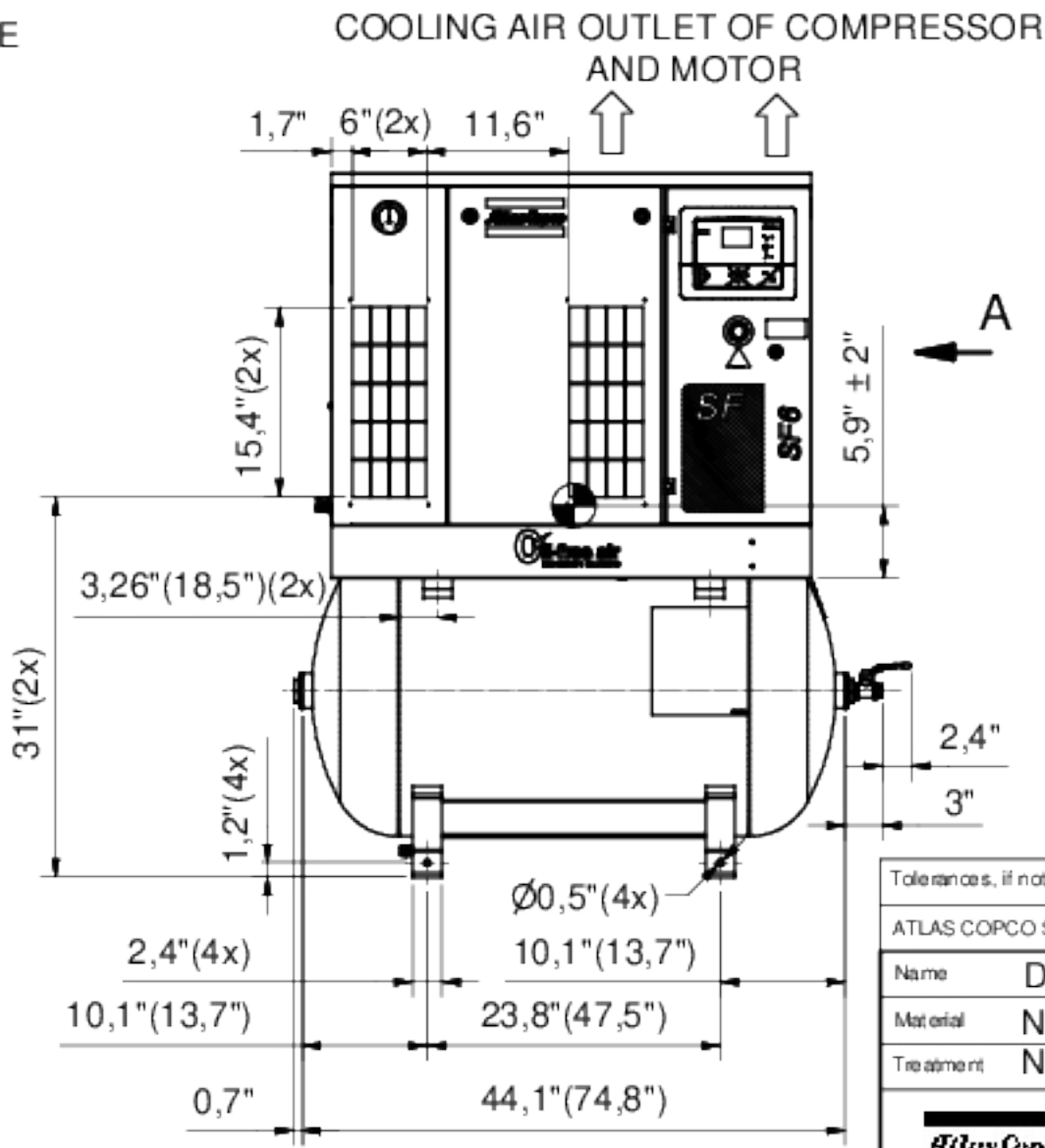
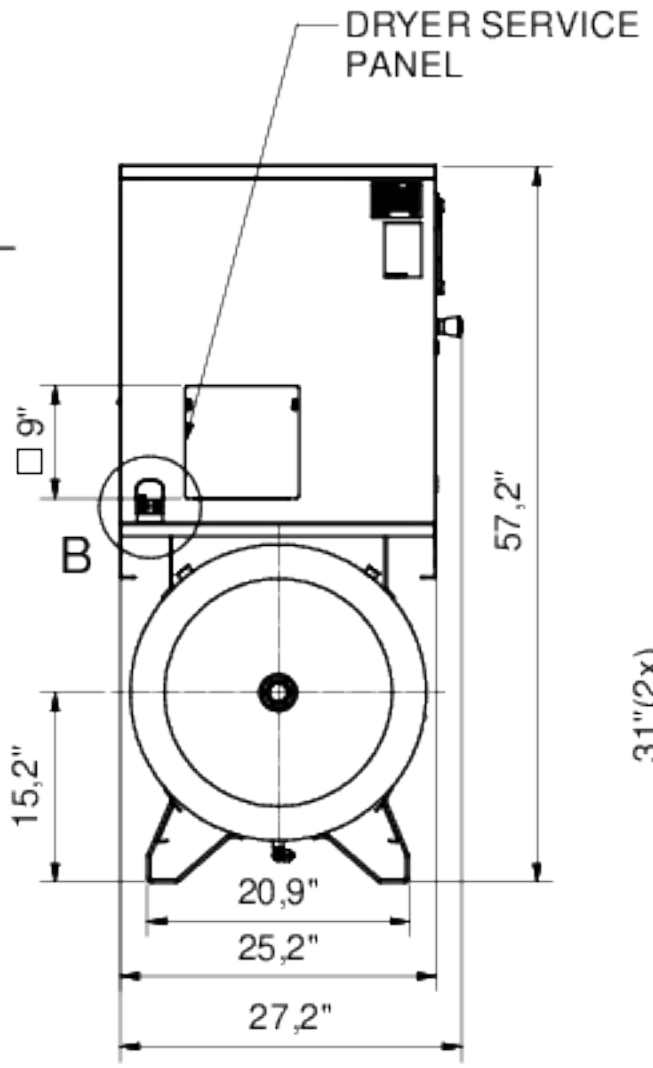
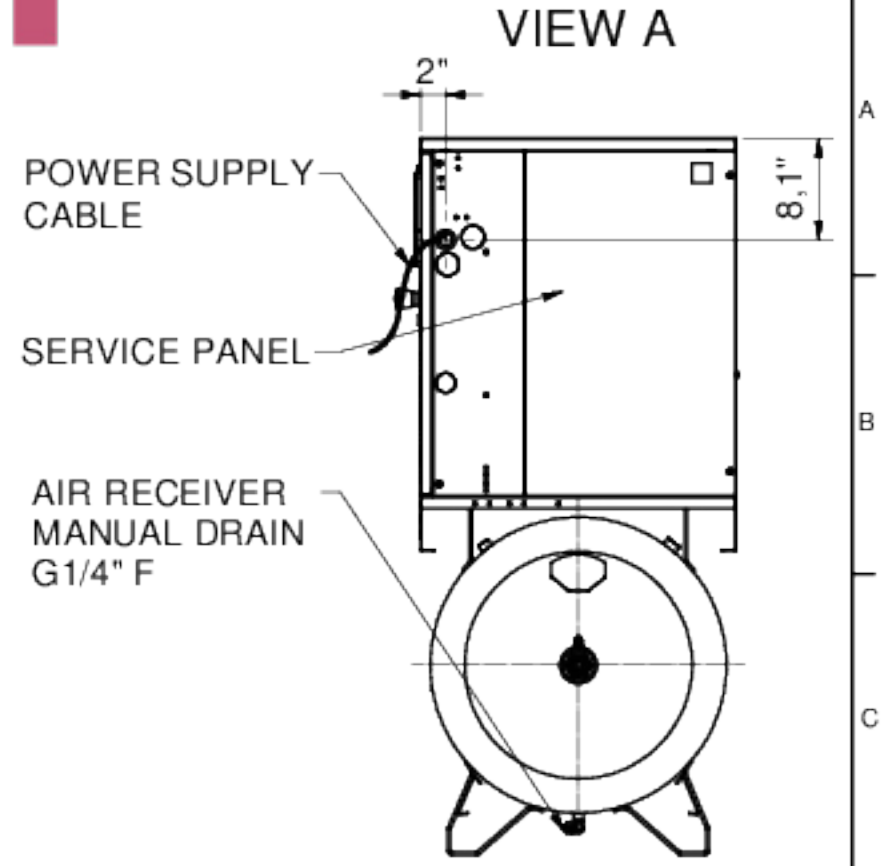
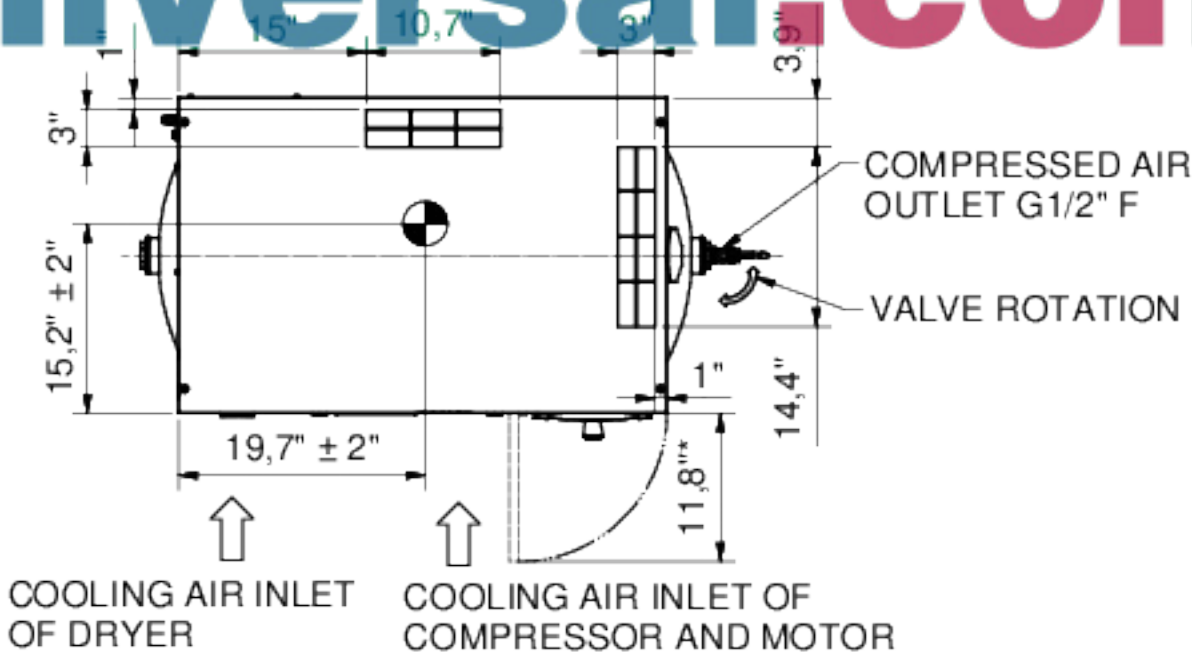
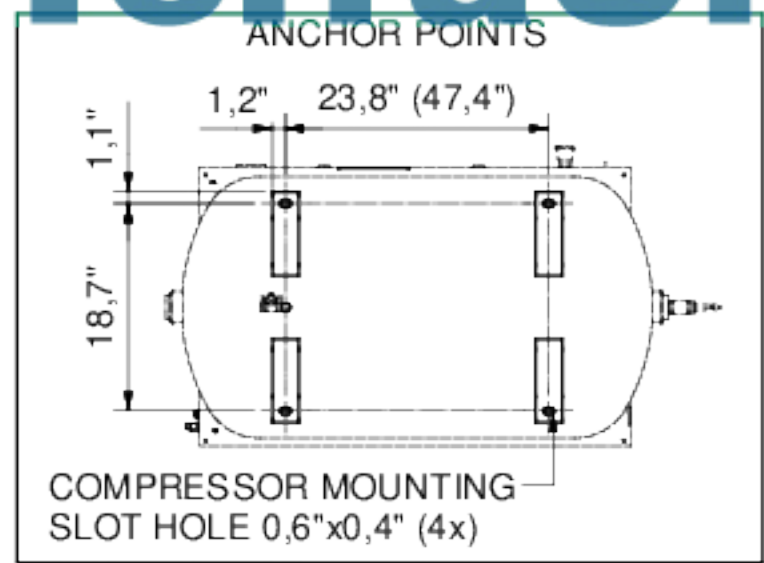


All materials supplied are in compliance with the requirements of the List of Prohibited Substances



**NOTE:**  
THE DIMENSIONS FOR 500L VESSEL ARE GIVEN IN THE BRACKETS IF THEY DIFFER FROM 272L VESSEL.

☉ - CENTRE OF GRAVITY

\* - DOOR FULLY OPEN

Approx Weight ± 110 (lbs)	
TYPE	272L (500L)
SF1 FF	509 (620)
SF2 FF	520 (630)
SF4 FF	538 (648)
SF6 FF	591 (701)

Tolerances, if not indicated, according to:							
ATLAS COPCO STANDARD CLASS							
Name	DIMENS. DRWG		SF1-6 TM FF - AC EP/EL -		Secrecy Class		
Material	NOT APPLICABLE		MB EP		110K / 2		
Treatment	Not Applicable		INV				
	Scale	1:15	Family	A3 Compare	Drawing owner		
	Drawn by	sgrator	Blank nr.	Replaces	All		
STATUS	Version Drwg	00.01	Blank wt.	0 Kg	Fini wt.	135.296 Kg	Designation
Des checked.	Prod checked.	Approved.	Date	2013-11-01		Sheet 1 / 1	
Approved					9820637605		

CONFIDENTIAL: This document is our property and shall not without our permission be altered, copied, used for manufacturing or communicated to any other person or company.

00		2014-05-06	Sethuram	9820637602	03.00
Ed	Position	Datum Date	Ingev./Goedg. Intr./Appd.	Parent 3D model	Ed. Version 3D