

GCX Mounting Assembly Installation Guide

Wall Channel CPU Mount



The purpose of this guide is to describe installation of CPU Mount and mounting of CPU.

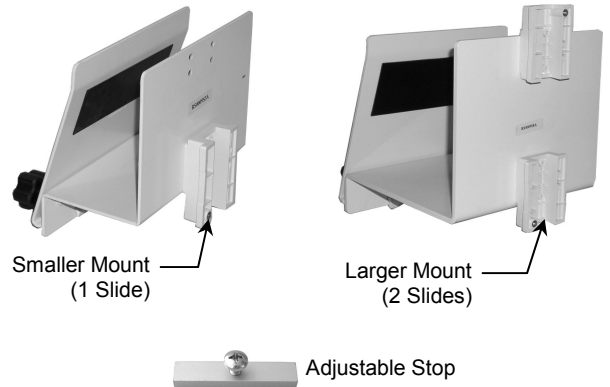
Installation Note: CPU Mounts are available in different sizes to accommodate a variety of CPU housings. Smaller CPU Mounts use one (1) Channel Slide for mounting in channel. Larger Mounts use two (2) Slides to support additional weight.

Parts Reference

The following parts and hardware are included with this installation kit (see photo for parts; tools & hardware not shown):

Item #	Description	Qty
1	CPU Mount with Slide (2 Slides on Larger Mounts)	1
2	Adjustable Stop	1
3	1/8" Hex Key	1
4	*1/4-20 Socket Head Cap Screw (SHCS)	2
5	*Flat Washer	2
6	*3/16" Hex Wrench	1

*See *Installation Note* below for hardware application.

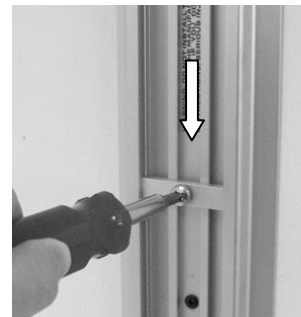
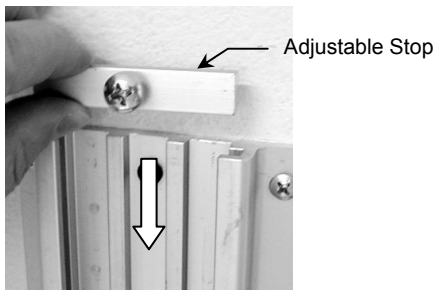


Tools Required: 1/8" and 3/16" hex keys (provided).

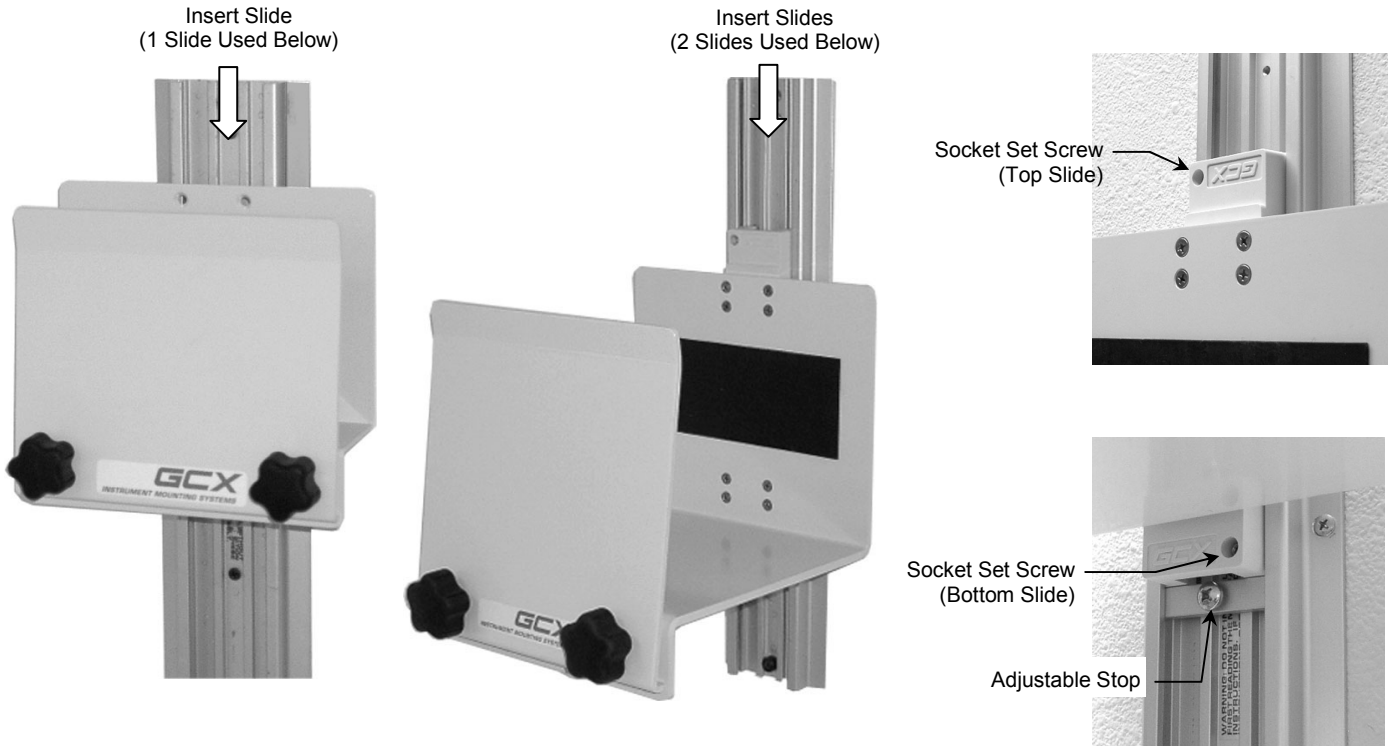
Installing the CPU Mount and Mounting the CPU

Installation Note: The CPU Mount is equipped at the factory with Clamping Knobs for securing the CPU in the Mount. Socket Head Cap Screws (SHCS) are provided as an alternative for applications requiring increased security. Simply remove the Clamping Knobs and replace them with two (2) Socket Head Cap Screws (SHCS) and flat washers (provided). A hex wrench is provided for this modification. Clamping Knobs are shown in this installation guide.

1. Insert Adjustable Stop in top of Channel and slide it to the desired CPU-mounting position. Secure Adjustable Stop in channel by tightening center screw.



2. Insert Channel Slide(s) into the channel and guide the CPU Mount to the desired height (or top of Adjustable Stop). Using the 1/8" hex wrench provided, tighten socket set screw on each Slide to secure Mount (below right).



3. Loosen the two (2) Clamping Knobs on front of CPU Mount to allow insertion of CPU. Slide CPU into Mount and tighten Clamping Knobs to secure CPU. A typical CPU mounting is shown below.

