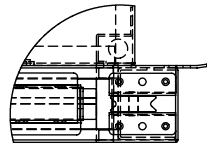
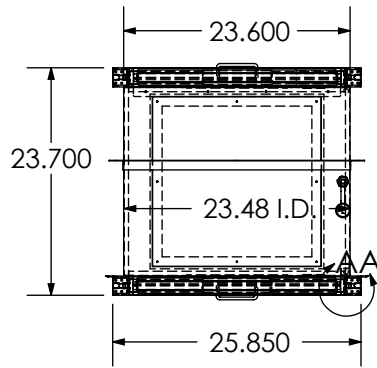
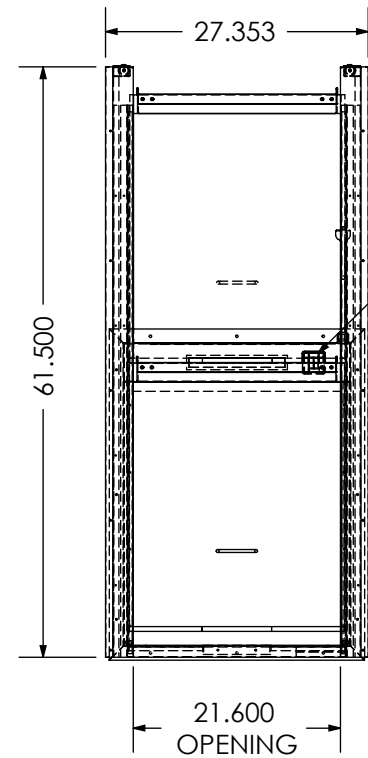


SIGN OFF

WALL CUT OUT
24.100W X 32.000H

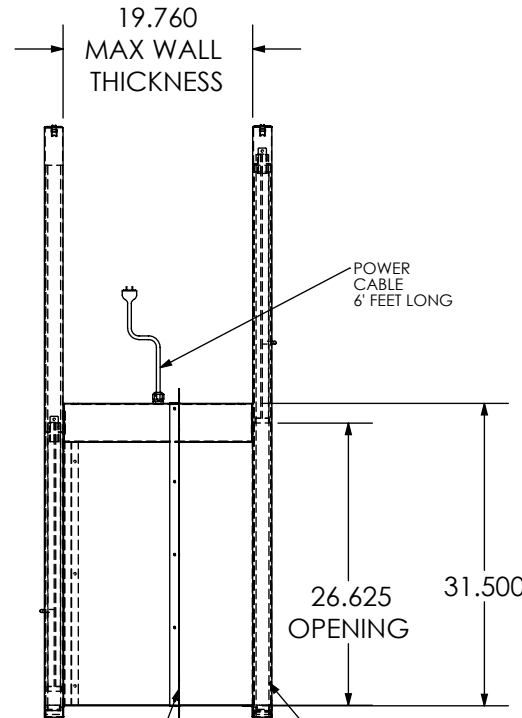


DETAIL AA
SCALE 1 : 5



MOUNTING BRACKET

LOGO INDICATOR



19.760
MAX WALL
THICKNESS

26.625
OPENING

31.500

ADJUSTABLE
MOUNT BRACKET

REMOVABLE FOR INSTALLATION
(SHIPPED LOOSE)

SLIDING DOOR
(X2)

MOUNTING BRACKET

COUNTER WEIGHT
INSIDE

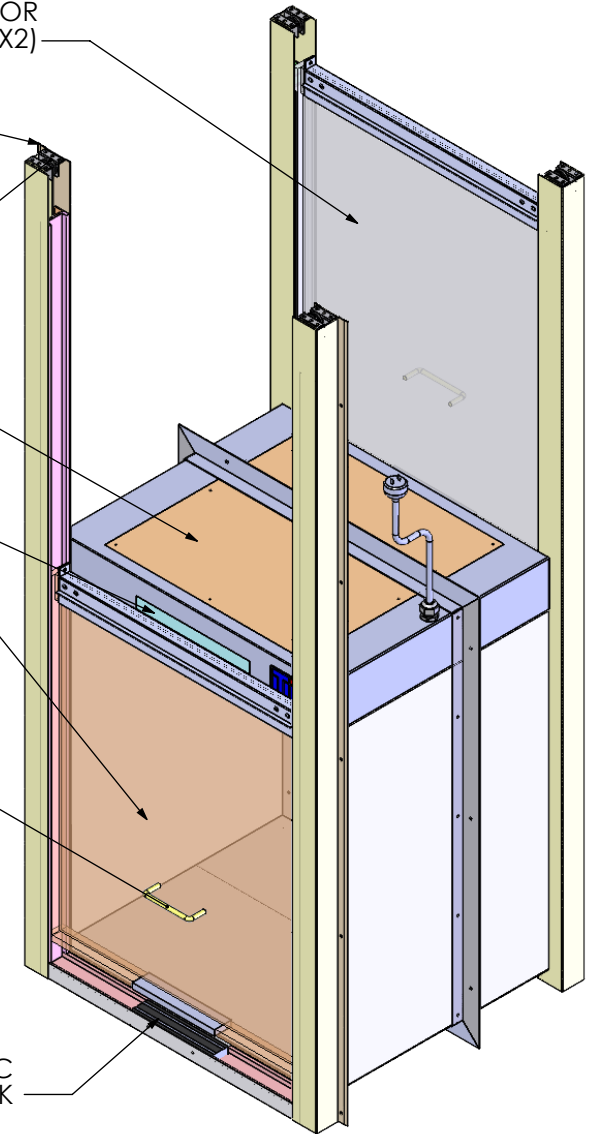
ACCESS
PANEL

BAR LIGHT

MANUAL
SLIDING DOOR
SD PVC
2 PLACES

DOOR HANDLE
PA01248

MAGNETIC
INTERLOCK



REVISIONS			
RV#	DESCRIPTION	DATE	BY
NC	INITIAL RELEASE	6-19-20	JR

MATERIAL SPEC.	FINISH SPEC.
304 SS	
SD-PVC	

UNLESS OTHERWISE SPECIFIED, DIMENSIONS ARE IN INCHES	
TOLERANCES ON:	
.XX DECIMALS ± .03	X' ± 1"
.XXX DECIMALS ± .010	X/X ± 1/64
SIGNATURES	
DATE	
ISSUED BY: JUAN R	7/13/2022
REF #: 265703-N1-1	



PROPRIETARY & CONFIDENTIAL
ALL RIGHTS RESERVED BY
TERRA UNIVERSAL
DISCLOSURE OR COPYING PROHIBITED

TITLE	
PASS THROUGH CLEAN SEAM SLIDE UP DOOR 304 SS SD PVC WINDOW OD 23.6 X 19.7 X 31.5	
A	2635-46
SCALE	SHEET 1 OF 24