



More information on the website
radwag.com/en/info,w1,YRW

SAL/STONE/H Stainless Steel Antivibration Table, SAL/T Steel Antivibration Table for PA-04/H Automatic Feeder, SAP/C Industrial Antivibration Table, SA/APP/C - Antivibration Table for Mass Comparators, SAL/H/PLUS Stainless Steel Laboratory Antivibration Table for PLUS Series Balances, SAL/STONE/C Antivibration Table, SAL/C Laboratory Antivibration Table, SAP/H Stainless Steel Industrial Antivibration Table, SAL/H Stainless Steel Laboratory Antivibration Table, SA/APP/H Antivibration Table for Mass Comparators stainless steel, SAL/C/PLUS Antivibration Table for PLUS Series Balances



SAL/STONE/H Stainless Steel Antivibration Table



SAL/T Steel Antivibration Table for PA-04/H Automatic Feeder



SAP/C Industrial Antivibration Table



SA/APP/C - Antivibration Table for Mass Comparators



SAL/H/PLUS Stainless Steel Laboratory Antivibration Table for PLUS Series Balances
 SAL/H Stainless Steel Laboratory Antivibration Table



SAL/STONE/C Antivibration Table



SAL/C Laboratory Antivibration Table
 SAL/C/PLUS Antivibration Table for PLUS Series Balances



SAP/H Stainless Steel Industrial Antivibration Table



SA/APP/H Antivibration Table for Mass Comparators stainless steel

The drawings, photos and graphics used are for illustrative purposes only.

Datasheet

	SAL/C/PLUS Antivibration Table for PLUS Series Balances WX-001-0156	SAL/STONE/C Antivibration Table WX-001-0078	SAL/STONE/H Stainless Steel Antivibration Table WX-001-0079
Construction			
Construction	mild steel St3S	mild steel St3S	Stainless steel AISI304
Load-bearing capacity	40 kg	150 kg	150 kg
Physical parameters			
Packaging dimensions W x D x H	820×711×816 mm	1200×800×970 mm	1200×800×970 mm
Net weight	68 kg (table 28 kg + stone 40 kg)	215 kg	215 kg
Gross weight	77,5 kg	242 kg	255 kg
Length	770 mm	1000 mm	1000 mm
Width	680 mm	650 mm	650 mm
Height	815±10 mm	815 mm	815 mm

Datasheet

	SAL/H/PLUS Stainless Steel Laboratory Antivibration Table for PLUS Series Balances WX-001-0155	SAP/H Stainless Steel Industrial Antivibration Table WX-004-0146	SAP/C Industrial Antivibration Table WX-004-0145
Construction			
Construction	Stainless steel AISI304	Stainless steel AISI304	mild steel St3S
Load-bearing capacity	40 kg	40 kg	40 kg
Physical parameters			
Packaging dimensions W x D x H	820×711×816 mm	820×681×816 mm	820×681×816 mm
Net weight	61 kg	55 kg	55 kg
Gross weight	77 kg	72,5 kg	72 kg
Length	770 mm	770 mm	770 mm
Width	680 mm	650 mm	650 mm
Height	815±10 mm	815±10 mm	815±10 mm

Datasheet

	SA/APP/C - Antivibration Table for Mass Comparators WX-002-0039	SAL/H Stainless Steel Laboratory Antivibration Table WX-001-0077	SA/APP/H Antivibration Table for Mass Comparators stainless steel WX-002-0040
Construction			
Construction	mild steel St3S	Stainless steel AISI304	Stainless steel AISI304
Load-bearing capacity	150 kg	40 kg	150 kg
Physical parameters			
Packaging dimensions W x D x H	710×470×225 mm	820×711×816 mm	710×470×225 mm
Net weight	128 kg	61 kg	128 kg
Gross weight	142 kg	65-70 kg	142 kg
Length	710 mm	770 mm	710 mm
Width	470 mm	680 mm	470 mm
Height	225 mm	815±10 mm	225 mm

Datasheet

	SAL/C Laboratory Antivibration Table WX-001-0076	SAL/T Steel Antivibration Table for PA-04/H Automatic Feeder WX-001-0107
Construction		
Construction	mild steel St3S	mild steel St3S
Load-bearing capacity	40 kg	40 kg
Physical parameters		
Packaging dimensions W x D x H	820×711×816 mm	820×681×816 mm
Net weight	61 kg	55 kg
Gross weight	72,5 kg	68,5 kg
Length	770 mm	770 mm
Width	680 mm	650 mm
Height	815±10 mm	815±10 mm

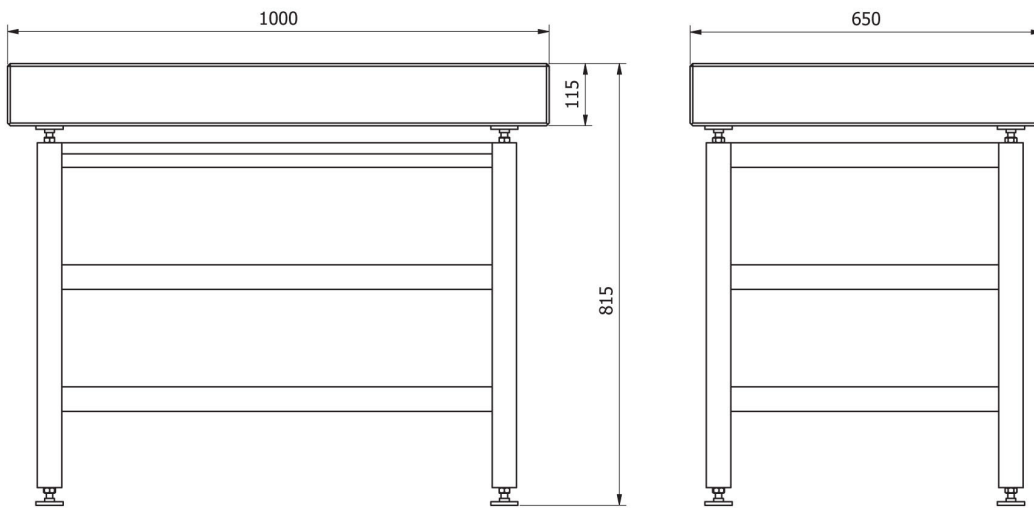
Compatible with (Additional Fee)

H315 HR Waterproof Platform Scale
 MA X7.IC.A Moisture Analyzer
 MUYA Modules
 MAS1 Modules
 XA 5Y.M.A.P Microbalance for pipettes calibration
 WPY Multifunctional Scale
 MYA 5Y.P Microbalance for pipettes calibration
 MA 5Y Moisture Analyzer
 Tunnel Detectors
 C315 Platform scale
 5Y.PM Precision Balance
 MYA 5Y.F Microbalance for Filters
 AS X7 Analytical Balance
 PS X7 Balances for PGC
 XA 5Y.M.A Microbalance
 WLC Precision Balance
 PS R2 Precision Balance
 WLC X7 Precision Balance
 H315 H Waterproof Platform Scale
 MAS Modules
 MPS Modules
 C32.PM Precision Balance
 Automatic Balances for. Pipettes Calibration
 MA X7.A Moisture Analyzer
 PS X7 Precision Balance
 XA 5Y.A Analytical Balance
 HY10.HRP.H Stainless steel High Resolution Scale
 Stainless Steel HRP EX.H Platforms
 WAY 5Y.KO Manual Mass Comparator
 UYA 5Y Ultra-Microbalance
 MA 5Y.IC Moisture Analyzer
 HRP Platforms High Capacity
 MA R Moisture Analyzer
 AS 5Y Analytical Balance

HY10.HRP High Resolution Scale
 AK-4 Automatic Mass Comparator
 PS 5Y Balances for PGC
 Stainless steel HRP.H platforms
 PS R2.H Precision Balance
 WTC Precision Balance
 WPY Scales for PGC
 XA 5Y.F Analytical Balance for Filters
 WLY Precision Balance
 UMA Automatic Mass Comparator
 HRP EX Platforms
 APP 5Y.KO Manual Mass Comparator
 Density Measurement
 WLC C/2 Precision Balance
 MYA 5Y Microbalance
 PS R1 Precision Balance
 XA 5Y Analytical Balance
 Manual susceptometers - Magnetization
 MA X2.A Moisture Analyzers
 5Y.PM.KB Manual Mass Comparator
 AS R2 PLUS Analytical Balance
 PS 5Y Precision Balance
 PUE 7.1.HRP High Resolution Scale
 PMV 5Y Moisture Analyzer
 Automatic susceptometers - Magnetization
 Automatic feeders
 XA 5Y.KO Manual Mass Comparator
 XA 5Y.M Microbalance
 UYA 5Y.KO Manual Mass Comparator
 AS R1 PLUS Analytical Balance
 UYA 5Y.F Ultra-Microbalance for Filters
 Nano-Comparator NANO.AK-4.500.5Y
 XA 5Y.M.A.S Microbalance for stents weighing
 WLY Scales for PGC

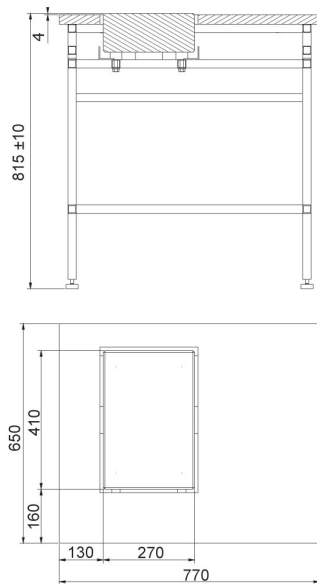
Device dimensions W x D x H

SAL/STONE/H Stainless Steel Antivibration Table, SAL/STONE/C Antivibration Table



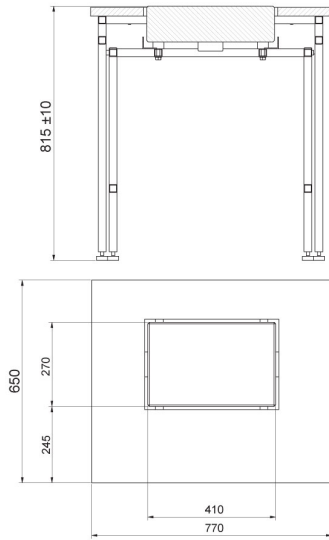
SAL/STONE

SAL/T Steel Antivibration Table for PA-04/H Automatic Feeder



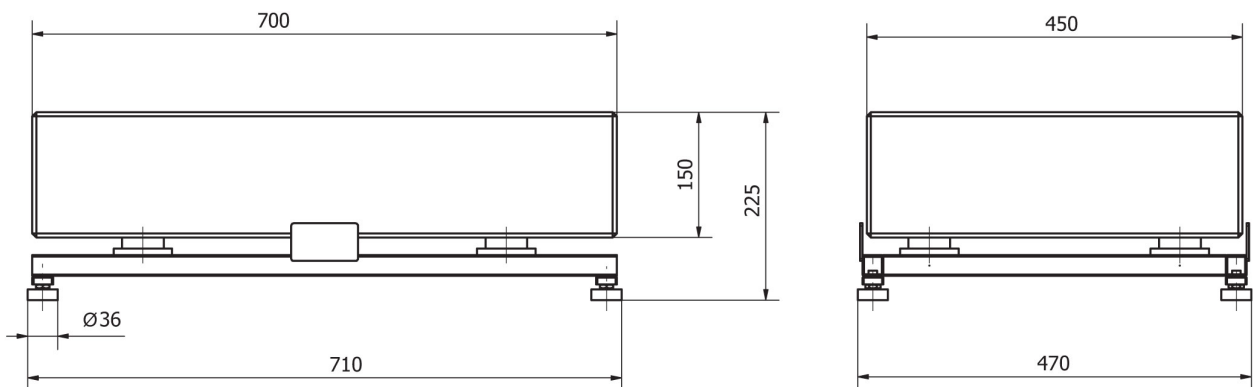
SAL/T

SAP/C Industrial Antivibration Table

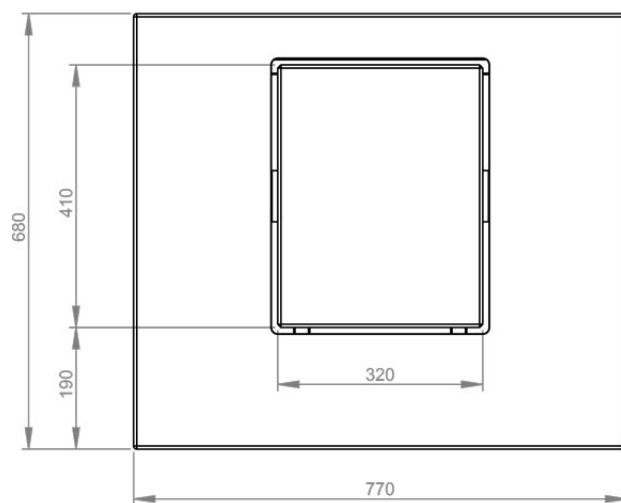
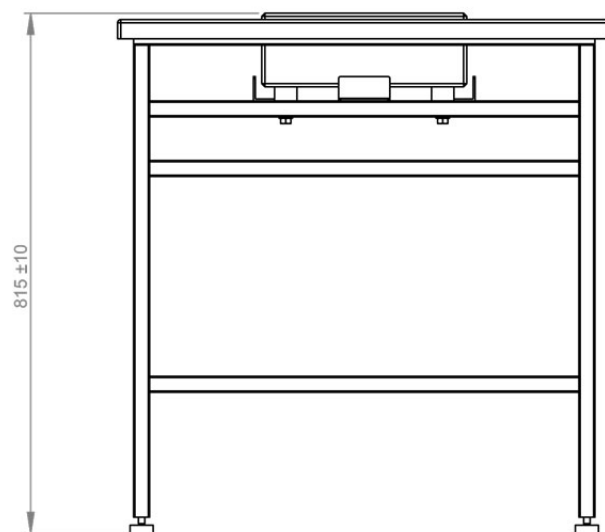


SAP/C

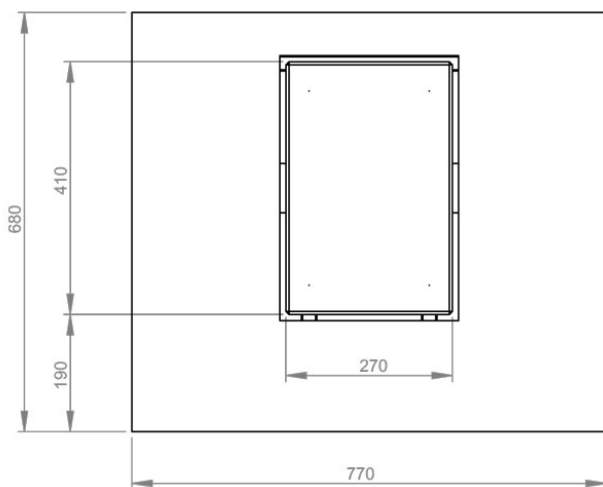
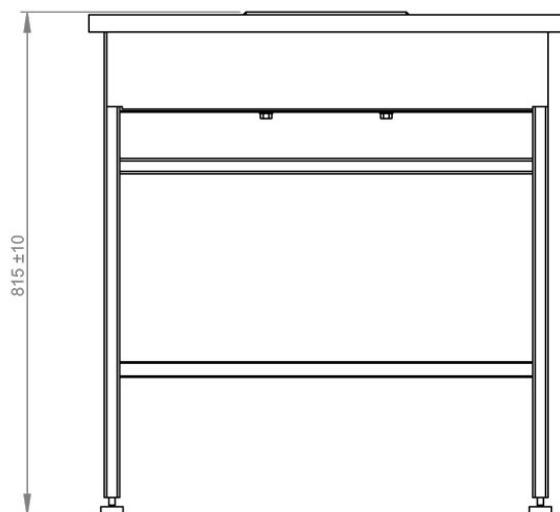
SA/APP/C - Antivibration Table for Mass Comparators, SA/APP/H Antivibration Table for Mass Comparators stainless steel



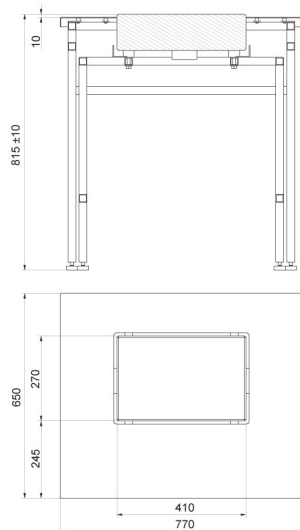
SAL/H/PLUS



SAL/C

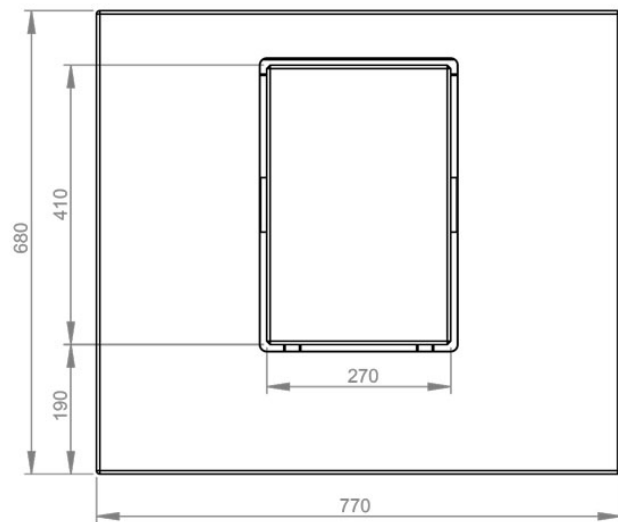
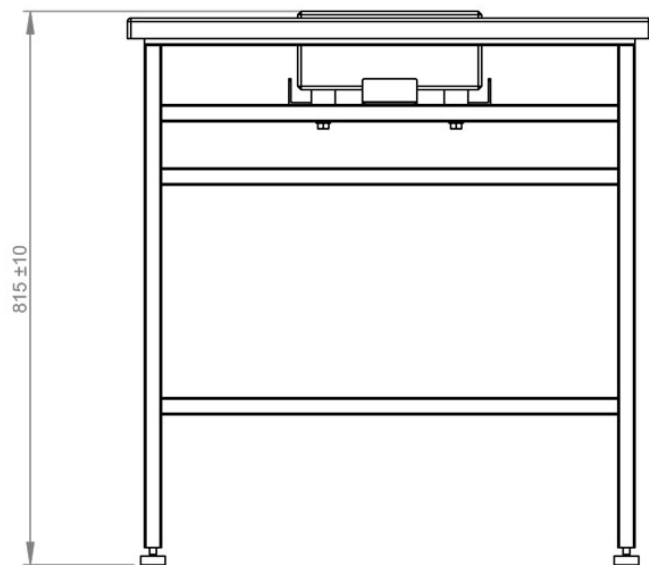


SAP/H Stainless Steel Industrial Antivibration Table



SAP/H

SAL/H



SAL/C/PLUS

