

4

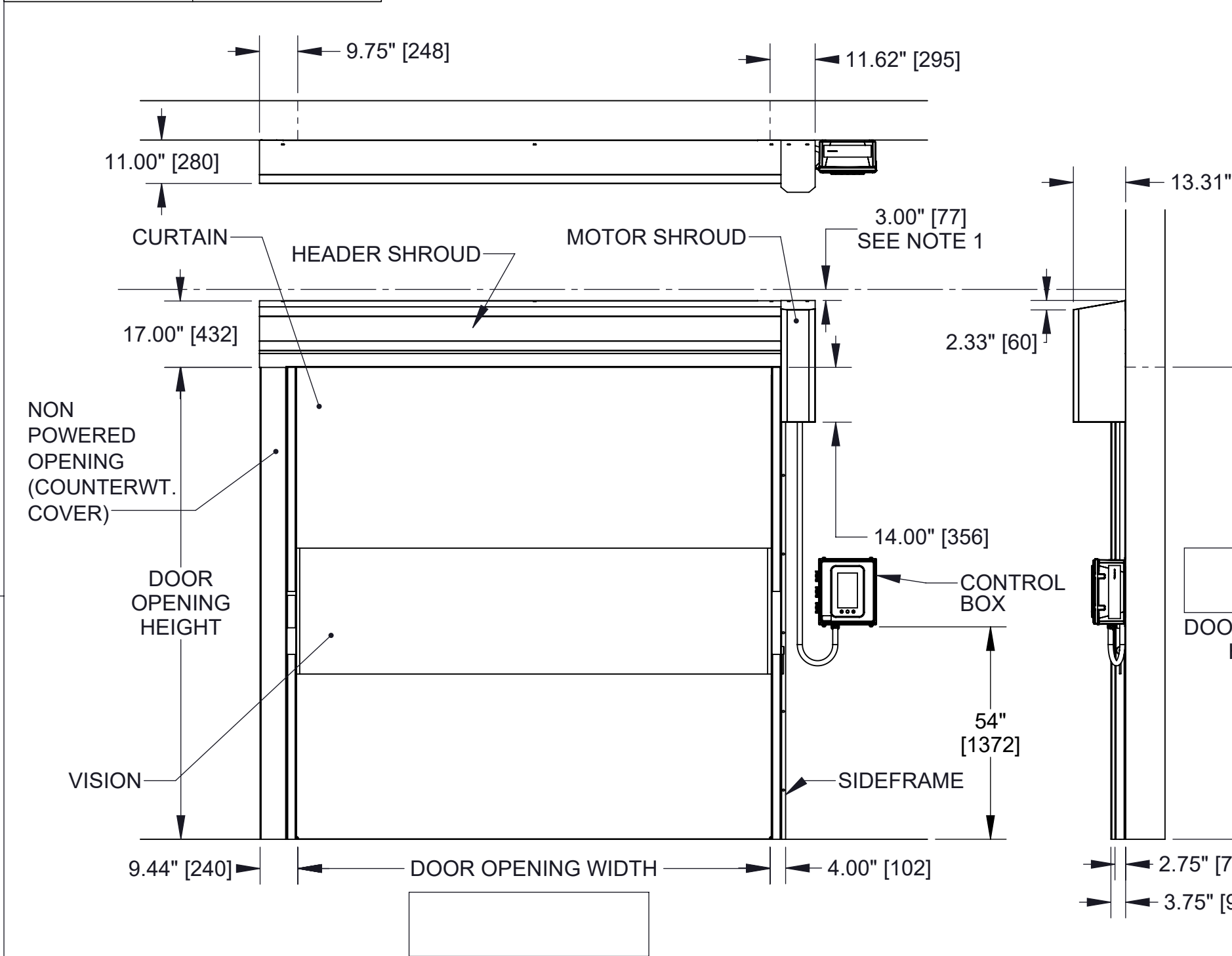
3

2

1

| | |
|---------------|----------------|
| NEXT ASSEMBLY | FINAL ASSEMBLY |
|---------------|----------------|

| REVISION HISTORY | | | | |
|------------------|-----------|--|-------|-----|
| REV. | DATE | NOTE | ECN | BY |
| C | 5/10/2024 | Removed Yellow, Green, & Orange from Curtain | 10247 | CDH |
| D | 5/24/2024 | ICOMM4 RELEASE | 10859 | QWM |
| E | 5/24/2024 | ISOROLL REBRAND | 10847 | CRK |



SPECIFICATIONS

SPEED: UP TO 65" [1651MM]/SEC WITH STANDARD VARIABLE FREQUENCY DRIVE.

SIZE: MAXIMUM: 12' [3658MM] wide x 12' [3658MM] high
MINIMUM: 3' [914MM] wide x 3' [914MM] high

CURTAIN MATERIAL: 27 OZ. VINYL BLUE GRAY RED WHITE
 30 OZ. URETHANE BLUE CARBON

SIDE FRAMES: STAINLESS STEEL

DRIVE SYSTEM: 1 H.P. MOTOR, VARIABLE FREQUENCY DRIVE, IP66 RATED MOTOR

ELECTRICAL REQUIREMENTS: SINGLE PHASE: 220V - 240V, 60 HZ
THREE PHASE: 208V, 60 HZ
 230V, 60 HZ
 400V, 50/60 HZ
 460V, 60 HZ
 575V, 60 HZ

VISION OPTIONS: 32" HIGH FULL-WIDTH (STANDARD)
 NONE

CONTROL BOX: I-COMM DIGITAL CONTROLLER, VARIABLE FREQUENCY DRIVE.
 POLYCARBONATE NEMA 4X (STD.) 15.375" [391] x 17.75" [451] x 8.3" [211]
 STAINLESS NEMA 4X WITH SLOPED TOP 16" [406] x 19" [483] x 8" [203]
STANDARD GRAPHICAL USER INTERFACE.

CURTAIN RETENTION: WEAR RESISTANT UHMW WIND GUIDES KEEP TENSION ON THE CURTAIN THE ENTIRE LENGTH OF THE SIDE FRAME. INCLUDES TRUE AUTO RE-FEED SYSTEM IN CASE OF ACCIDENTAL IMPACTS TO CURTAIN.

SAFETY FEATURES: SOFT EDGE TECHNOLOGY, THRU-BEAM PHOTO EYE MOUNTED AT 18" [457MM] CURTAIN SLACK SENSOR.

NOTE:
1. Header and motor shroud require a minimum of 3" of clearance above for installation
2. Dimensions shown in [] are in millimeters

| | | | |
|--|--|---|---------------|
| FINISH | | MATERIAL | |
| CONFIDENTIAL | | DRAWN BY DSL | |
| UNLESS OTHERWISE SPECIFIED DIMENSIONS ARE IN INCHES. | | DRAWN DATE 4/23/18 | |
| TOLERANCES: | | INITIAL ECN 7469 | |
| .X = ±.050 | | DATE ISSUED | |
| .XX = ±.010 | | REFERENCE | |
| .XXX = ±.005 | | ALL SHEETS ARE THE SAME REVISION STATUS | |
| ANGLE = ±1.0° | | DO NOT SCALE DRAWING | |
| THIRD ANGLE PROJECTION | | SCALE 1:32 | |
| © 2010 RITE-HITE® DOORS INC. | | PART# - | |
| | | RITE-HITE® DOORS INC. | |
| | | TITLE FINAL ASSEMBLY, ISOROLL | |
| | | NON POWERED OPENING COUNTERWEIGHT | |
| | | SIZE B | MODEL ISOROLL |
| | | DWG NO 7827A005 | REV E |
| | | SHEET 1 OF 1 | |

4

3

2

1