

4

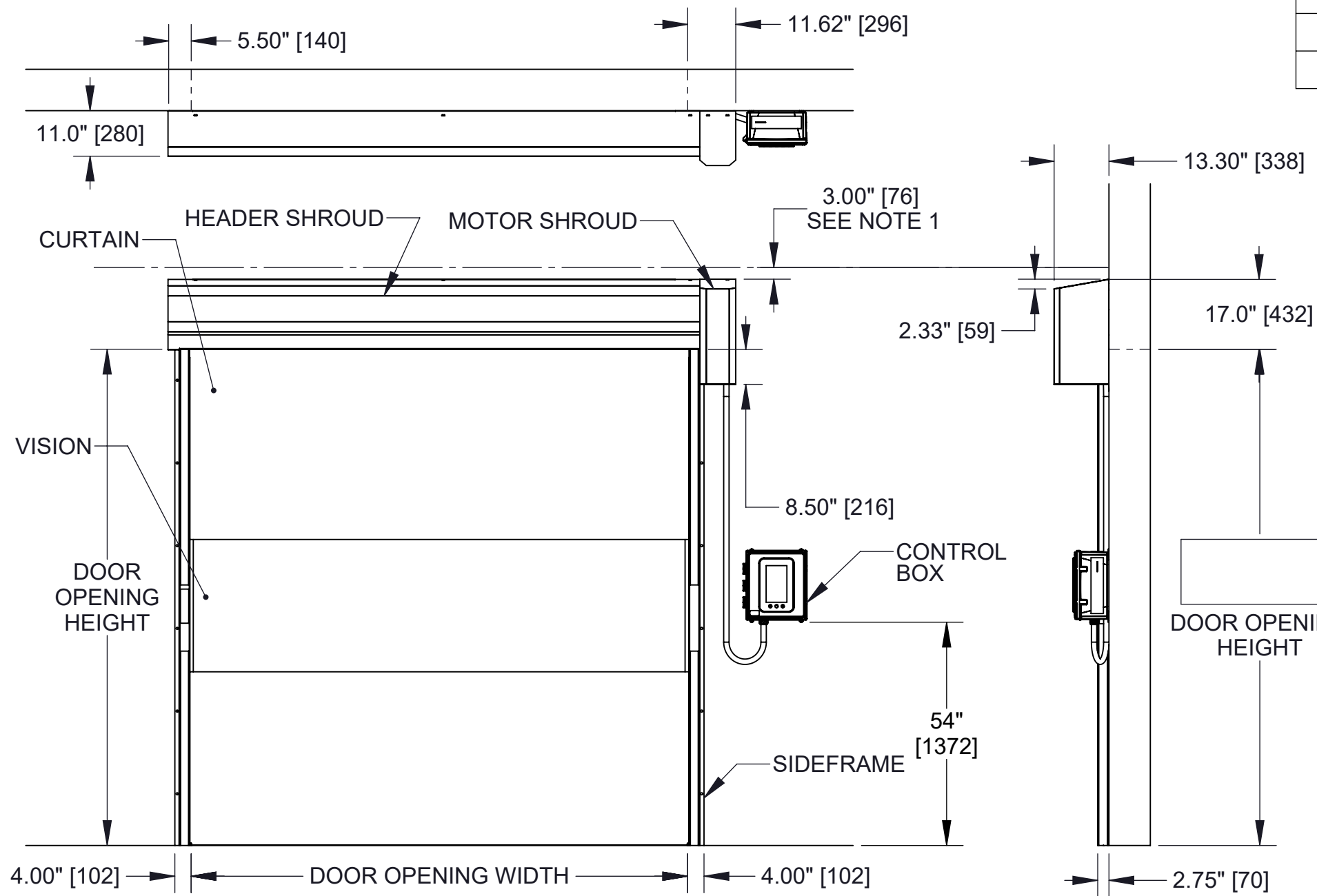
3

2

1

NEXT ASSEMBLY	FINAL ASSEMBLY
---------------	----------------

REVISION HISTORY				
REV.	DATE	NOTE	ECN	BY
C	5/10/2024	Removed Yellow, Green, & Orange from Curtain	10247	CDH
D	5/24/2024	ICOMM4 RELEASE	10859	QWM
E	5/24/2024	ISOROLL REBRAND	10847	CRK



SPECIFICATIONS

SPEED: UP TO 65" [1651MM]/SEC WITH STANDARD VARIABLE FREQUENCY DRIVE.

SIZE: MAXIMUM: 12' [3658MM] wide x 12' [3658MM] high
MINIMUM: 3' [914MM] wide x 3' [914MM] high

CURTAIN MATERIAL: 27 OZ. VINYL BLUE GRAY RED WHITE
 30 OZ. URETHANE BLUE CARBON

SIDE FRAMES: STAINLESS STEEL

DRIVE SYSTEM: 1 H.P. MOTOR, VARIABLE FREQUENCY DRIVE, IP66 RATED

ELECTRICAL REQUIREMENTS: SINGLE PHASE: 220V - 240V, 60 HZ
THREE PHASE: 208V, 60 HZ
 230V, 60 HZ
 400V, 50/60 HZ
 460V, 60 HZ
 575V, 60 HZ

VISION OPTIONS: 32" HIGH FULL-WIDTH (STANDARD)
 NONE

CONTROL BOX: I-COMM DIGITAL CONTROLLER, VARIABLE FREQUENCY DRIVE.
 POLYCARBONATE NEMA 4X (STD.) 15.375" [391] x 17.75" [451] x 8.3" [211]
 STAINLESS NEMA 4X WITH SLOPED TOP 16" [406] x 19" [483] x 8" [203]
STANDARD GRAPHICAL USER INTERFACE.

CURTAIN RETENTION: WEAR RESISTANT UHMW WIND GUIDES KEEP TENSION ON THE CURTAIN THE ENTIRE LENGTH OF THE SIDE FRAME. INCLUDES TRUE AUTO RE-FEED SYSTEM IN CASE OF ACCIDENTAL IMPACTS TO CURTAIN.

SAFETY FEATURES: SOFT EDGE TECHNOLOGY, THRU-BEAM PHOTO EYE MOUNTED AT 18" [457MM] CURTAIN SLACK SENSOR.

B

B

A

A

NOTE:
1.Header and motor shroud require a minimum of 3" of clearance above for installation
2.Dimensions shown in [] are in millimeters

FINISH		MATERIAL	
CONFIDENTIAL	UNLESS OTHERWISE SPECIFIED DIMENSIONS ARE IN INCHES.	DRAWN BY	DSL
		DRAWN DATE	4/23/18
THIS DOCUMENT IS THE PROPERTY OF RITE-HITE® DOORS INC. SUBJECT MATTER HEREIN IS CONFIDENTIAL. DO NOT USE, REPRODUCE, COPY OR DISCLOSE EXCEPT WITH WRITTEN CONSENT OF RITE-HITE® DOORS INC.	TOLERANCES: .X = ±.050 .XX = ±.010 .XXX = ±.005 ANGLE = ±1.0°	INITIAL ECN	7469
		DATE ISSUED	
© 2010 RITE-HITE® DOORS INC.	THIRD ANGLE PROJECTION	REFERENCE	
		ALL SHEETS ARE THE SAME REVISION STATUS	
		DO NOT SCALE DRAWING	
		RITE-HITE® DOORS INC.	
		TITLE: FINAL ASSEMBLY, ISOROLL	
		RIGHT HAND DRIVE	
SIZE	MODEL	DWG NO	REV
B	ISOROLL	7827A003	E
SCALE	1:32	PART# -	SHEET 1 OF 1

4

3

2

1