

Rite-Hite® Doors Light Communication

Collisions between forklifts and pedestrians are a common type of accident. Collisions between forklifts and doors result in high annual maintenance expenses and increased downtime at the opening. Rite-Hite Doors has a series of light communication products to help reduce these accidents.

Regulate Traffic Patterns

with a range of communication choices

Minimize the chance of collisions

and reduce blind spots anywhere vision is less than ideal

Visual management of door openings

to reduce energy costs and cross contamination between environments

Reduce door damage

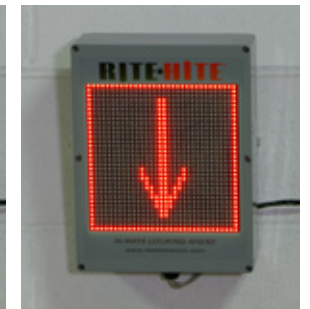
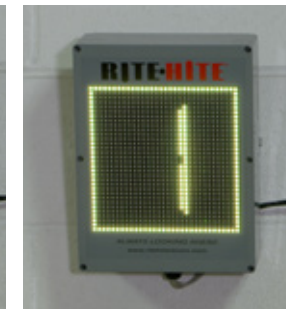
by displaying a clear signal to the forklift operator that a door is fully open or about to close



LED Virtual Vision



LED Countdown



LED Countdown

Specifications

All three options can be used on any Rite-Hite Door with an i-COMM II and an encoder *Older doors are upgradeable

LED Countdown

LED Countdown displays the status of the door. The adjustable countdown timer displays numbers in white and the adjustable pre-announce timer displays the final numbers in amber. Red arrows display when the door is opening or closing.

Includes:

- » (2) LED Countdown Displays in NEMA 4X enclosures with mounting brackets
- » (2) 50' (15240 mm) low voltage cables

LED Pre-Announce

LED Pre-Announce flashes amber as the pre-announce timer counts down and turns solid red as the door is closing.

Includes:

- » (4) Multi-colored LED strips
- » (4) 50' (15240 mm) low voltage cables
- » (1) Junction box with 35' (10668 mm) low voltage cable
- » IP68 rated

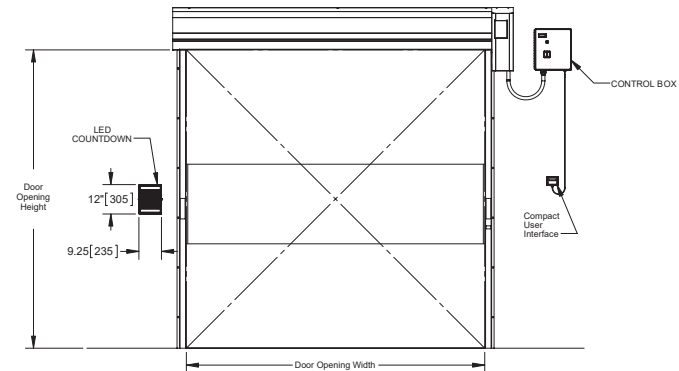
LED Virtual Vision

LED Virtual Vision utilizes motion sensors and LED strips to flash red when there is motion detected on the opposite side of a door

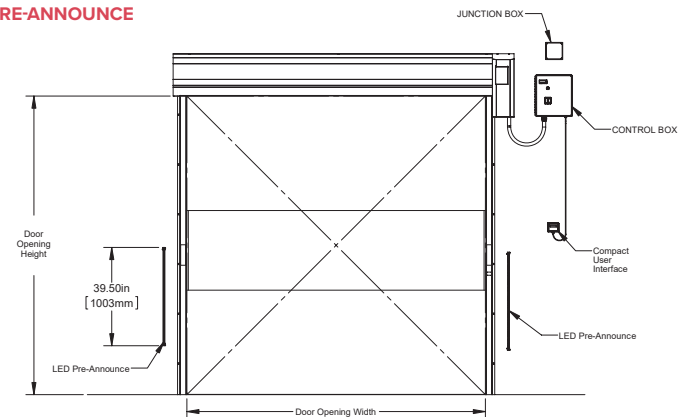
Includes:

- » (4) Red LED strips
- » (4) 50' (15240 mm) low voltage cables
- » (2) Falcon motion sensors

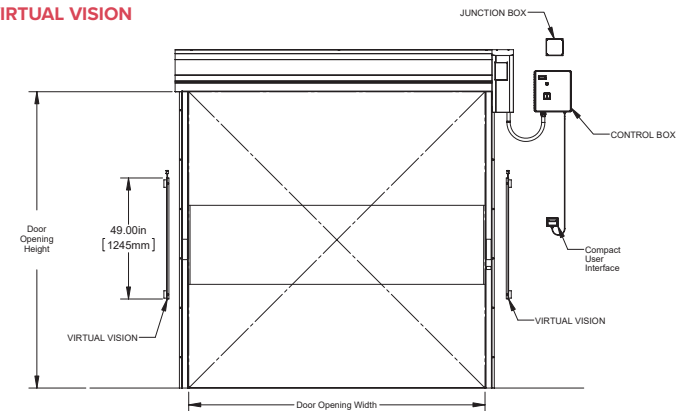
LED COUNTDOWN



LED PRE-ANNOUNCE



LED VIRTUAL VISION



RITEHITE
ALWAYS LOOKING AHEAD

D23LEDSS1221H1

Milwaukee, Wisconsin, USA

www.ritehite.com

P 414-355-2600 (800-456-0600)

F 414-355-9248

Rite-Hite® is a trademark of Rite-Hite Holding Corporation. Rite-Hite products are covered by one or more U.S. patents with other U.S. and foreign patents pending. Patent coverage: www.ritehite.com/patents. The information herein is provided as a general reference only regarding the use of the applicable products. The specifications stated here are subject to change. Manufactured by: Rite-Hite Products Corporation