

4

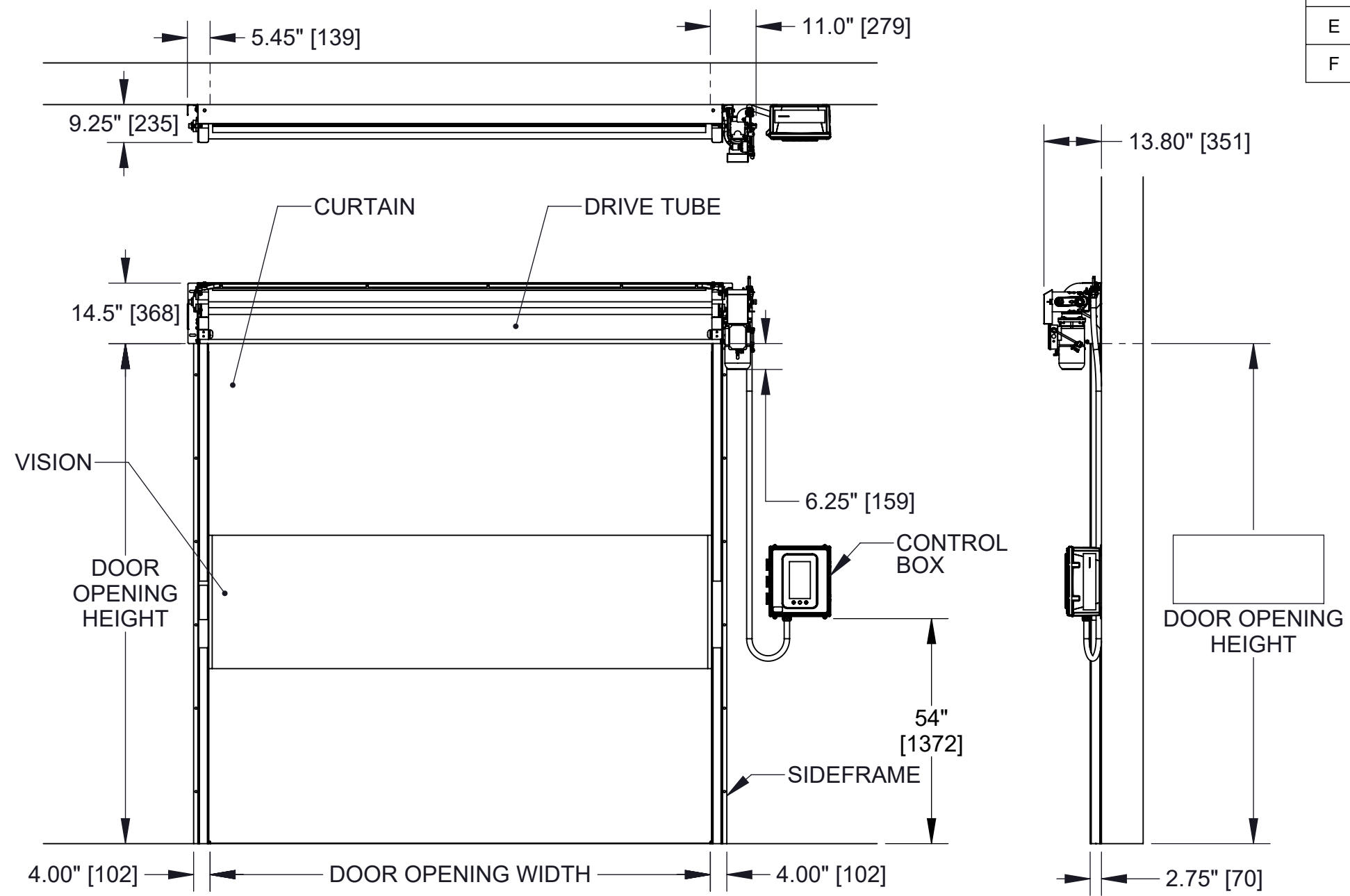
3

2

1

NEXT ASSEMBLY	FINAL ASSEMBLY

REVISION HISTORY				
REV.	DATE	NOTE	ECN	BY
D	5/10/2024	CORRECT MATES	10586	ALS
E	5/24/2024	ICOMM4 RELEASE	10859	QWM
F	5/24/2024	ISOROLL REBRAND	10847	CRK



**SPECIFICATIONS**

**SPEED:** UP TO 65" [1651MM]/SEC WITH STANDARD VARIABLE FREQUENCY DRIVE.

**SIZE:** MAXIMUM: 12' [3658MM] wide x 12' [3658MM] high  
MINIMUM: 3' [914MM] wide x 3' [914MM] high

**CURTAIN MATERIAL:**  27 OZ. VINYL  BLUE  GRAY  RED  WHITE  
 30 OZ. URETHANE  BLUE  CARBON

**SIDE FRAMES:** STAINLESS STEEL

**DRIVE SYSTEM:** 1 H.P. MOTOR, VARIABLE FREQUENCY DRIVE, IP66 RATED

**ELECTRICAL REQUIREMENTS:** SINGLE PHASE:  220V - 240V, 60 HZ  
THREE PHASE:  208V, 60 HZ  
 230V, 60 HZ  
 400V, 50/60 HZ  
 460V, 60 HZ  
 575V, 60 HZ

**VISION OPTIONS:**  32" HIGH FULL-WIDTH (STANDARD)  
 NONE

**CONTROL BOX:** I-COMM DIGITAL CONTROLLER, VARIABLE FREQUENCY DRIVE.  
 POLYCARBONATE NEMA 4X (STD.) 15.375" [391] x 17.75" [451] x 8.3" [211]  
 STAINLESS NEMA 4X WITH SLOPED TOP 16" [406] x 19" [483] x 8" [203]  
STANDARD GRAPHICAL USER INTERFACE.

**CURTAIN RETENTION:** WEAR RESISTANT UHMW WIND GUIDES KEEP TENSION ON THE CURTAIN THE ENTIRE LENGTH OF THE SIDE FRAME. INCLUDES TRUE AUTO RE-FEED SYSTEM IN CASE OF ACCIDENTAL IMPACTS TO CURTAIN.

**SAFETY FEATURES:** SOFT EDGE TECHNOLOGY, THRU-BEAM PHOTO EYE MOUNTED AT 18" [457MM]  
CURTAIN SLACK SENSOR.

B

B

A

A

**NOTE:**  
1. Dimensions shown in [ ] are in millimeters

FINISH		MATERIAL	
<b>CONFIDENTIAL</b>	UNLESS OTHERWISE SPECIFIED DIMENSIONS ARE IN INCHES.	DRAWN BY	DSL
	TOLERANCES: .X = ±.050 .XX = ±.010 .XXX = ±.005 ANGLE = ±1.0°	DRAWN DATE	4/23/18
		INITIAL ECN	7469
		DATE ISSUED	
THIS DOCUMENT IS THE PROPERTY OF RITE-HITE® DOORS INC. SUBJECT MATTER HEREIN IS CONFIDENTIAL. DO NOT USE, REPRODUCE, COPY OR DISCLOSE EXCEPT WITH WRITTEN CONSENT OF RITE-HITE® DOORS INC.	THIRD ANGLE PROJECTION	REFERENCE	
© 2010 RITE-HITE® DOORS INC.		ALL SHEETS ARE THE SAME REVISION STATUS	
		<b>DO NOT SCALE DRAWING</b>	
		SCALE 1:32	PART# -
		<b>RITE-HITE® DOORS INC.</b> TITLE: FINAL ASSEMBLY, ISOROLL RIGHT HAND DRIVE SIZE MODEL DWG NO REV <b>B ISOROLL 7827A001 F</b>	
		SHEET 1 OF 1	

4

3

2

1