

4

3

2

1

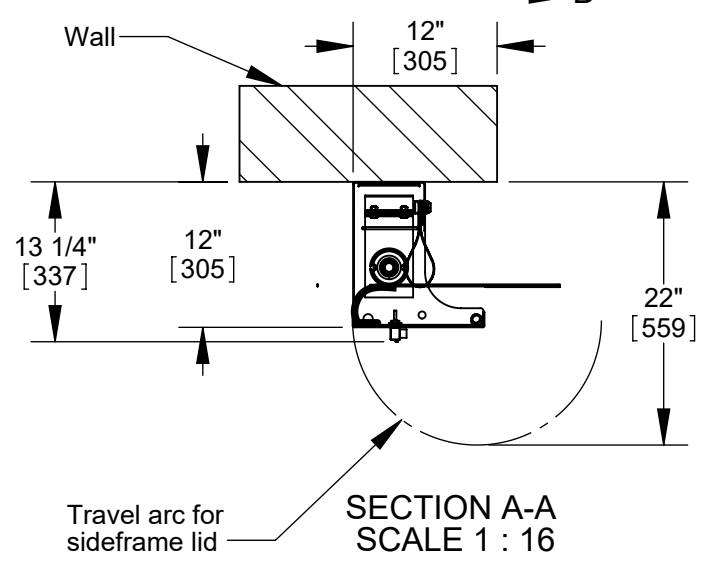
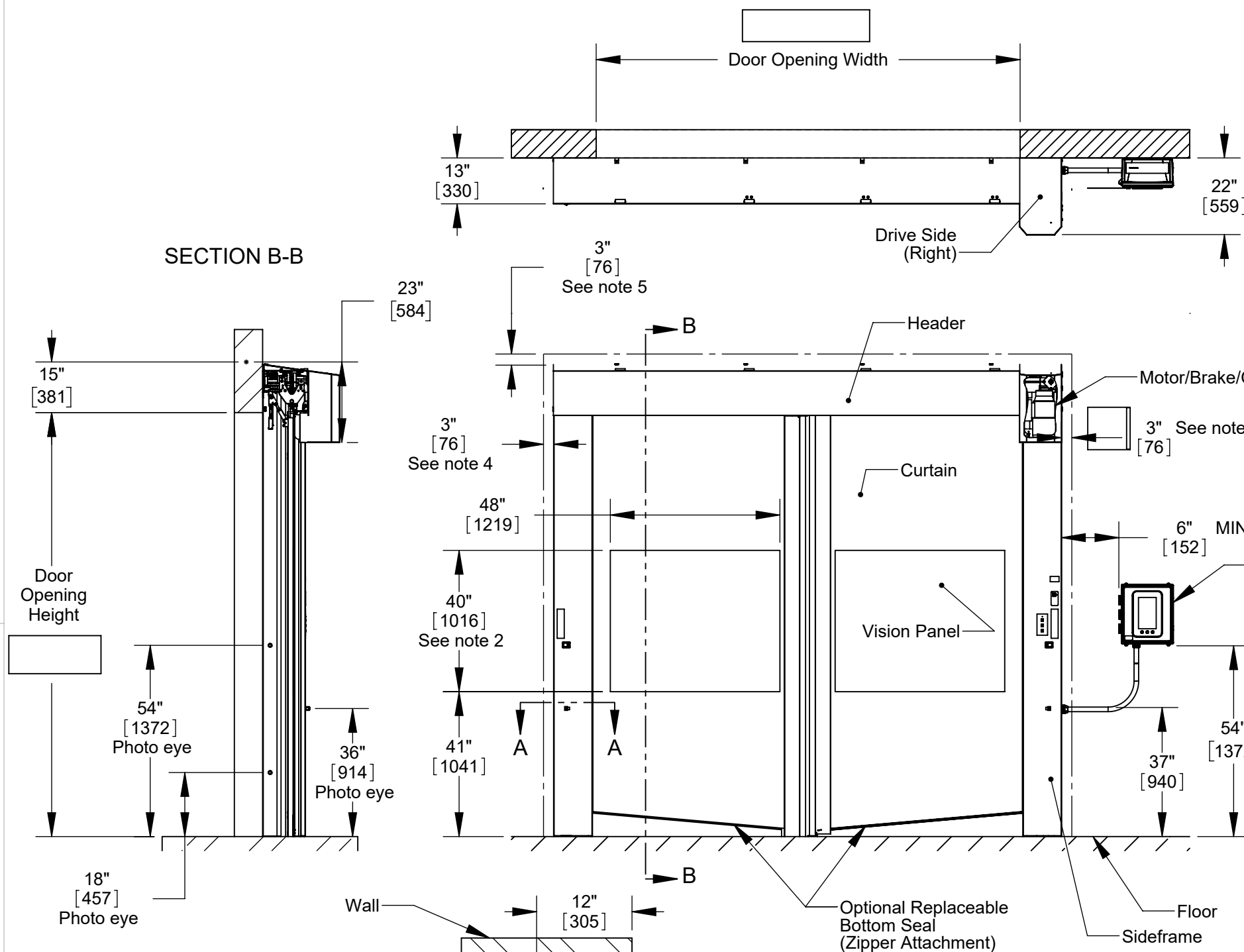
REVISION HISTORY				
REV.	DATE	DESCRIPTION	ECN	BY
E	9/6/2017	ICOMM3 UPGRADE	7391	CWAD
G	5/24/2024	ICOMM4 RELEASE	10859	QWM
H	5/24/2024	ISOSPLT REBRAND	10847	CRK

Consult Product Sell/Specification Sheet and Order Form for additional product specifications and all available options.

Notes:

1. Alternate dimensions in brackets are in millimeters.
2. Vision height is 32" [813] for doors less than 8' [2438].
3. Motor shroud requires min. 3" [76] of side clearance for access.
4. Recommended sideframe installation clearance is 3" [76].
5. Header shroud requires min. 3" [76] of top clearance for access.
6. POLYCARBONATE NEMA 4X (STD.) 15.375" [391] x 17.75" [451] x 8.3" [211], Stainless Control Box (opt.) 16" [406] x 19" [482] x 8" [203]. Step down transformer provided with 575V controls 9" [229] x 10" [254] x 7" [178]. Standard Graphical User Interface.
7. RIGHT HAND DRIVE (SHOWN)
 LEFT HAND DRIVE (7824A002)

APPROVED	<input type="checkbox"/> YES	<input type="checkbox"/> NO
Approved By: _____		
Date: _____		



DRAWN BY	RPB
DRAWN DATE	03/14/2009
INITIAL ECN	5868
DATE ISSUED	10/19/2016

RITE-HITE® DOORS INC.

TITLE: FINAL ASSY, ISOSPLT
RIGHT HAND DRIVE

SIZE	MODEL	DWG NO	REV
B	ISOSPLT	7824A001	H

SCALE 1:36 PART# SHEET 1 OF 1

© 2017 RITE-HITE® DOORS INC.

THIRD ANGLE PROJECTION

ALL SHEETS ARE THE SAME REVISION STATUS

DO NOT SCALE DRAWING

4

3

2

1

B

B

A

A