

# SARTORIUS

## Simplifying Progress

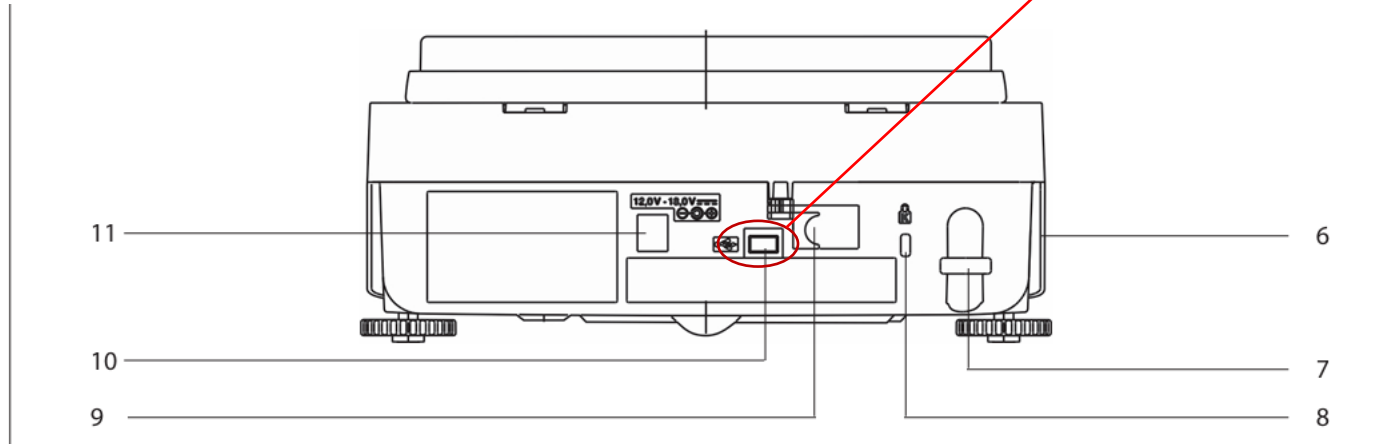
### Printers & Cables

March 2026



# Secura®, Quintix® or Practum®

mini-USB Port



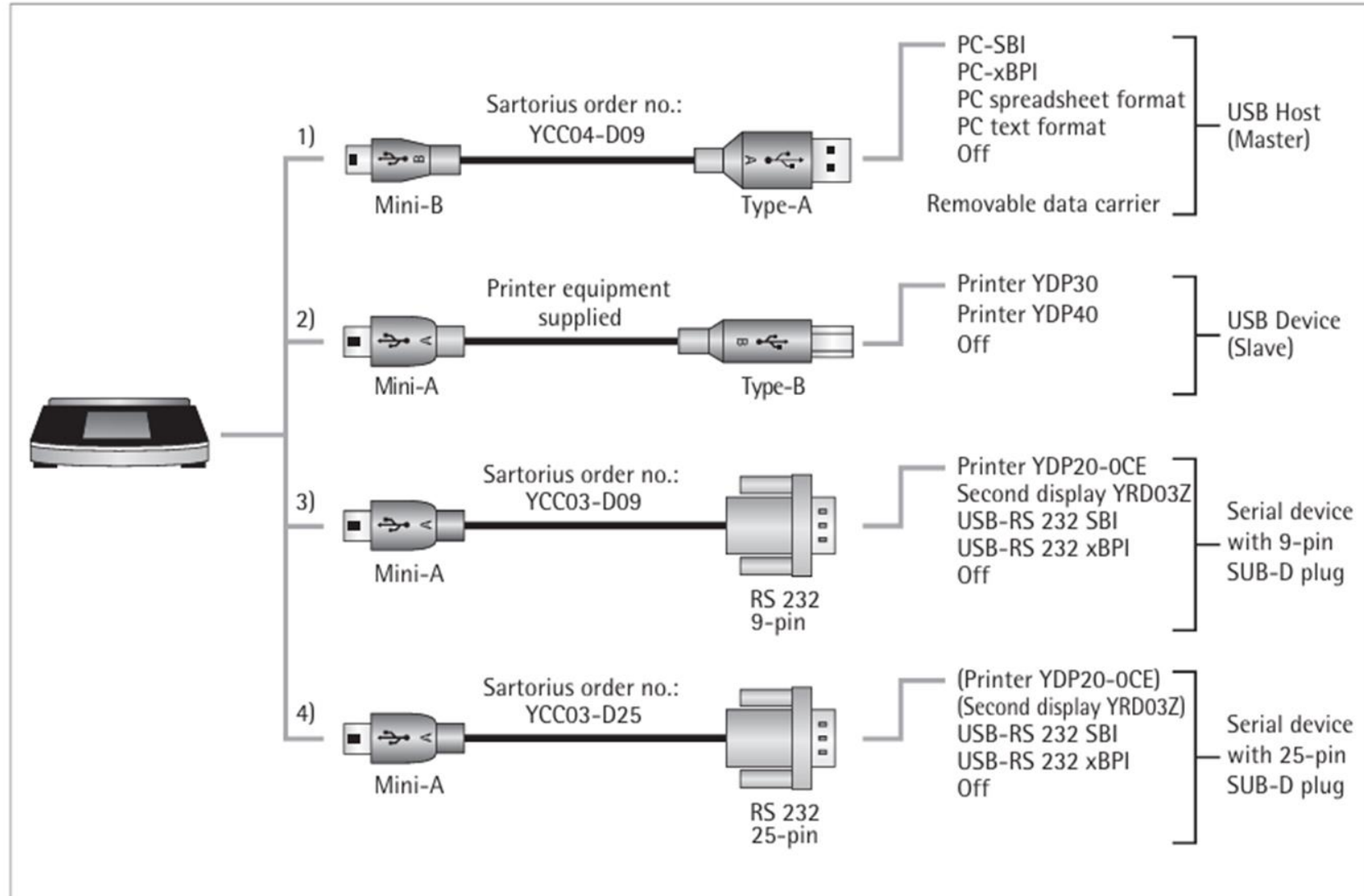
**Pos. Name and Function**

- 1 Weighing pan
- 2 Shield disk
- 3 Leveling feet
- 4 Touch screen
- 5 Level indicator (Quintix® and Practum® models)
- 6 Manufacturer's ID label and additional plate for verified models
- 7 Lug for attaching anti-theft locking device

**Pos. Name and Function**

- 8 Fastening point for an optional "Kensington" key lock
- 9 Menu access switch: locks various functions and units when balances are verified
- 10 USB port for mini AB
- 11 DC jack
- 12 Secura® models with readability of 0.1 mg:  
Pan draft shield
- 13 Draft shield

Secura<sup>®</sup>,  
Quintix<sup>®</sup> or  
Practum<sup>®</sup>



Secura®, Quintix® or Practum®

YDP20-0CE

YDP30

YDP40

YDP50

mini-USB to RS232 9-pin  
female  
Cat. No. YCC03-D09

mini-USB to USB type B  
Cat. No. 69Y03293

mini-USB to USB type B  
Cat. No. 69Y03293

Not Applicable

Note: additional power  
supply needed  
Cat. No. YEPS01-PS4

# Quintix® Pro

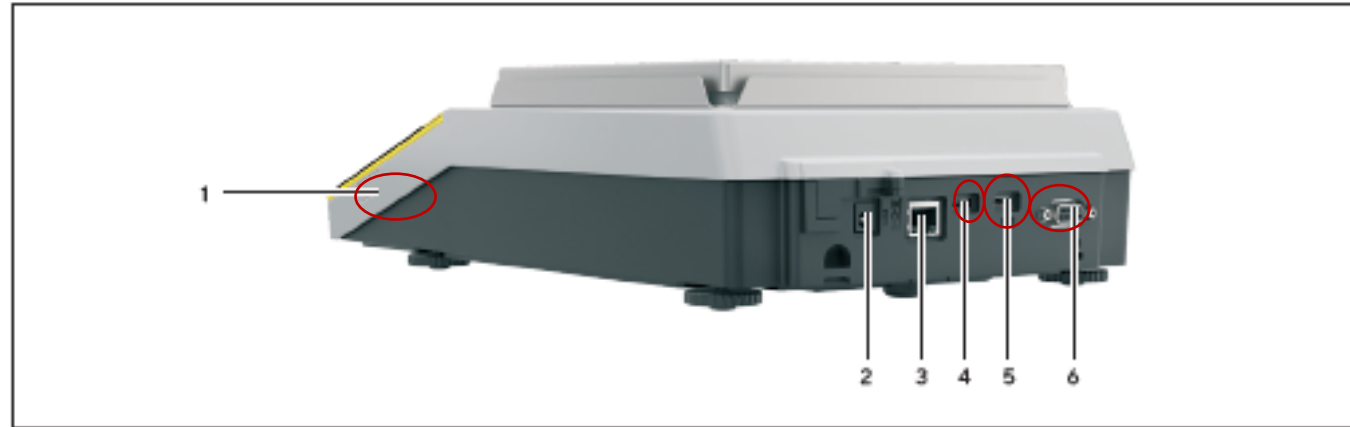


Fig. 4: Rear of Quintix® Pro (example)

Pos.	Name	Description
1	USB-C connection	For connecting accessories.
2	Power supply	
3	Ethernet connection	For connection to a network.
4	USB-C connection	For connecting accessories.
5	PC USB connection	For connection to a PC.
6	RS232 connection	For connection to a PC or an accessory. 9 Pin

## Quintix® Pro

YDP20-0CE

RS232 9-pin male to  
RS232 9-pin female  
Cat. No. YCC-D09MF

Note: additional power  
supply needed  
Cat. No. YEPS01-PS4

YDP30

USB type C to USB type B  
Cat. No. YCC-USB-C-B

RS232 9-pin male to RS232  
9-pin male  
Cat. No. YCC-D09MM

YDP40

USB type C to USB type B  
Cat. No. YCC-USB-C-B

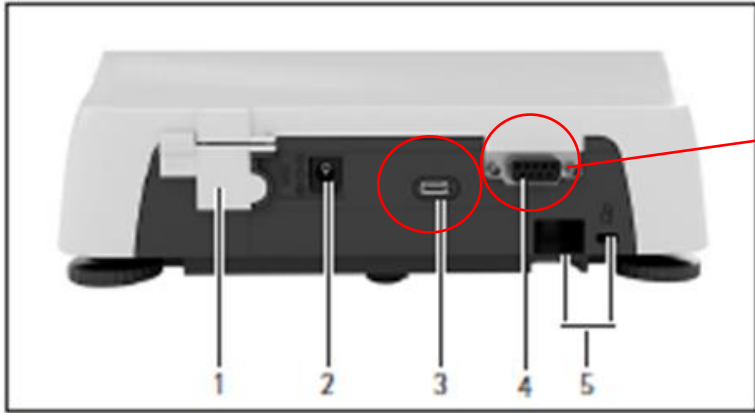
YDP50

USB type C to USB type B  
Cat. No. YCC-USB-C-B

RS232 9-pin male to  
RS232 9-pin male  
Cat. No. YCC-D09MM

# Entris® II

## 3.2 Device Connections



USB C Port AND RS232 9 Pin

Fig. 2: Precision balance with round draft shield (rear view)

Pos.	Designation	Description
1	Access switch	Protects the device from changes to the device settings. Is sealed for conformity-assessed devices
2	Power supply	Connection for power supply to the device
3	USB-C connection	For connection to a printer, PC, or a second display
4	RS232 connection	9-pin, for connection to a printer, PC, or a second display
5	Slot	For attaching an anti-theft device or a Kensington lock

## Entris® II

YDP20-0CE

RS232 9-pin male to  
RS232 9-pin female  
Cat. No. YCC-D09MF

Note: additional  
power supply needed  
YEPS01-PS4

YDP30

USB type C to USB type B  
Cat. No. YCC-USB-C-B

RS232 9-pin male to  
RS232 9-pin male  
Cat. No. YCC-D09MM

YDP40

USB type C to USB type B  
Cat. No. YCC-USB-C-B

YDP50

USB type C to USB type B  
Cat. No. YCC-USB-C-B

RS232 9-pin male to  
RS232 9-pin male  
Cat. No. YCC-D09MM

## Cubis II

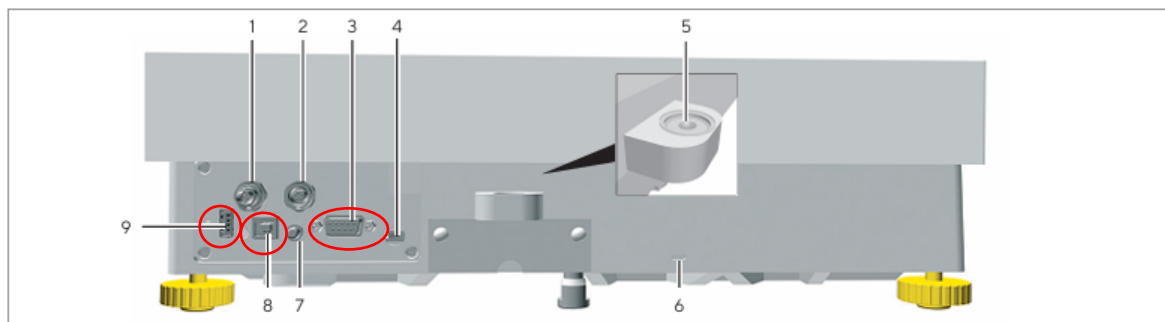


Fig. 3: Connections for weighing module

Pos.	Name	Description
1	Power supply	For connection to the power supply
2	Peripheral connection	For connecting Sartorius accessories
3	COM-RS232 connection	9-pin, for connection to a PC or PLC
4	Access switch	<ul style="list-style-type: none"> <li>- Protects the device from changes to the device settings.</li> <li>- Is sealed for conformity-assessed devices.</li> </ul>
5	Level	
6	Slot	For attaching a "Kensington" anti-theft device
7	On key	
8	USB-B connection	For connection to a PC
9	USB-A connection	For printers and for software updates via a USB mass storage device

## Cubis II - 5 and 6 place balances

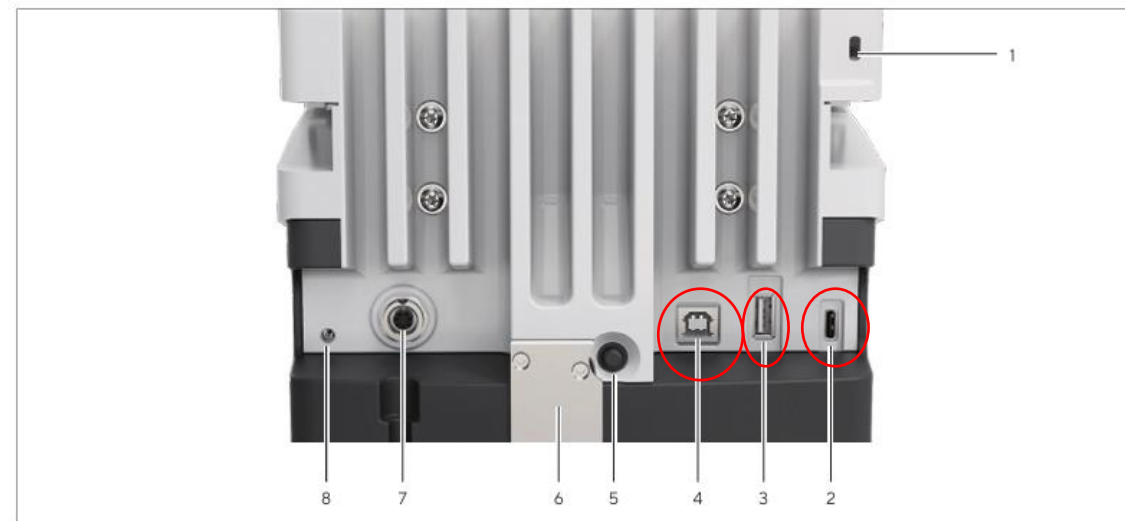


Fig. 5: Connections on the back of the device

Pos.	Name	Description
1	Slot	For attaching a "Kensington" anti-theft device.
2	USB-C connection	For connecting accessories.
3	USB-A connection	For connecting accessories.
4	USB-B connection	For connection to a PC.
5	On key	When using the customized switch-on settings: Switches the device on.
6	Access switch	Protects the device from changes to the device settings.
7	Control unit connection	Receives the connection cable for the control unit.
8	Power supply	

## CUBIS II

YDP20-0CE

YDP30

YDP40

YDP50

Not Applicable

Cubis II: USB C to USB B  
Cat. No. YCC-USB-C-B  
(shipped with Cubis II  
balances)

Not Applicable

Not Applicable

Cubis II: USB A to USB B  
Cat. No. 69MS0099

Cubis II: 9 pin RS232 Male to  
9 pin RS232 Male  
Cat. No. YCC-D09MM

CUBIS II 5 and 6 place balances  
(do not have RS232 port)

YDP20-0CE

YDP30

YDP40

YDP50

Not Applicable

Cubis II: USB C to USB B  
Cat. No. YCC-USB-C-B

Not Applicable

Not Applicable

Cubis II: USB A to USB B  
Cat. No. 69MS0099

Thank you.

Jackie Williams  
Channel Manager  
Jackie.Williams@Sartorius.com  
856-418-8491

**SARTORIUS**