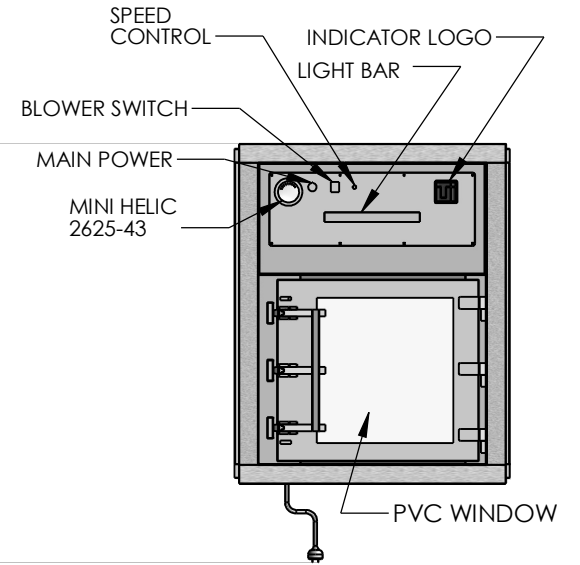
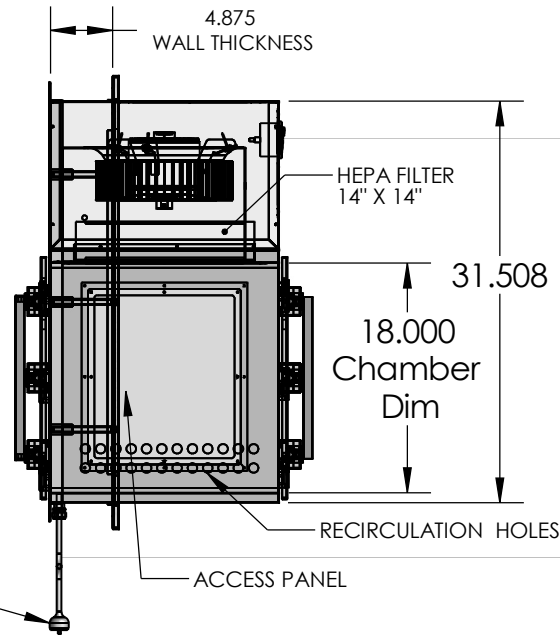
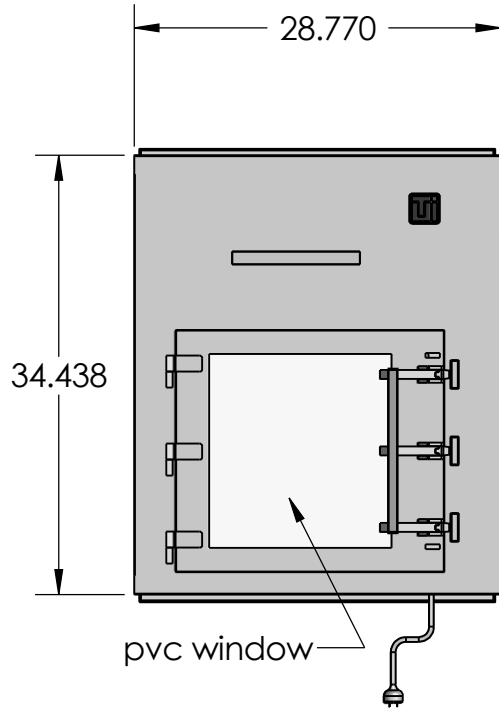
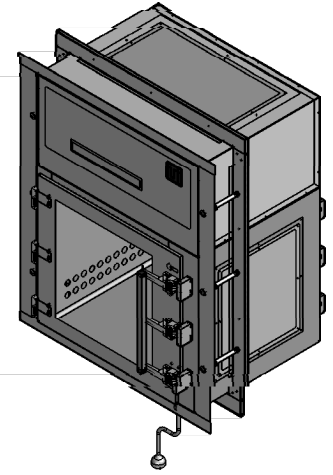
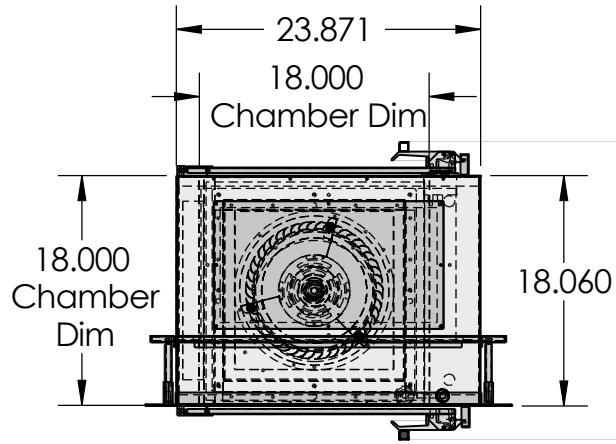


ALL SHOPS

WALL CUT OUT
26.875"W X 32.000"H



REVISIONS			
RV#	DESCRIPTION	DATE	BY
NC	INITIAL RELEASE	10-22-19	JR

MATERIAL SPEC.
316L SS

FINISH SPEC.

UNLESS OTHERWISE SPECIFIED, DIMENSIONS ARE IN INCHES	
TOLERANCES ON:	
.XX DECIMALS ± .03	X' ± 1"
.XXX DECIMALS ± .010	X/X ± 1/64
SIGNATURES	
ISSUED BY: JUAN R	DATE: 3/12/2020
REF #: -	



PROPRIETARY & CONFIDENTIAL
ALL RIGHTS RESERVED BY
TERRA UNIVERSAL
DISCLOSURE OR COPYING PROHIBITED

TITLE	
PASS-THROUGH SMART 316L SS RECIRCULATION AIR SHOWER ID 18 W X 18D X 18H	
A	6705-79-316
SCALE	SHEET 1 OF 25