

Micro
Vacuum

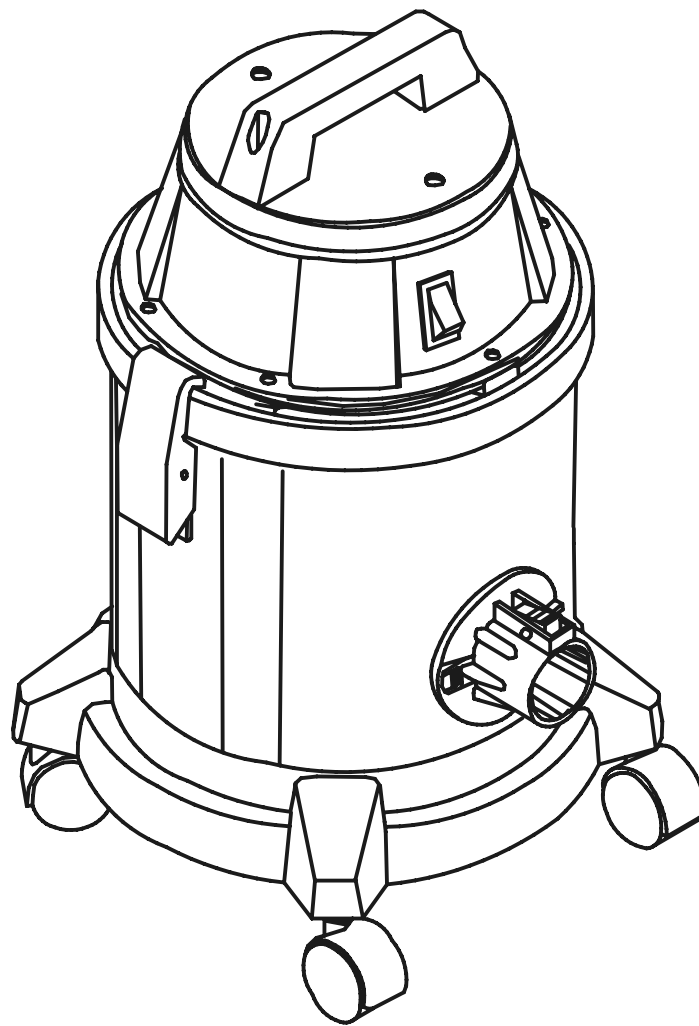
Model: C82904-07

OPERATION

SERVICE

PARTS

CARE



Minuteman[®]

FOR COMMERCIAL USE ONLY

IMPORTANT SAFETY INSTRUCTIONS

When using an electrical appliance, basic precautions should always be followed, including the following:

READ ALL INSTRUCTIONS BEFORE USING

WARNING - To reduce the risk of fire, electric shock, or injury:

- Do not leave appliance when plugged in. Unplug from outlet when not in use and before servicing.
- To avoid electrical shock, do not expose to rain, store indoors.

WARNING:

To reduce the risk of electrical shock - Do not use on wet surfaces. Do not expose to rain. Store indoors.

- Do not allow to be used as a toy. Close attention is necessary when used by or near children.
- Use only as described in this manual. Use only manufacturer's recommended attachments.
- Do not use with damaged cord or plug. If appliance is not working as it should, has been dropped, damaged, left outdoors, or dropped into water, return it to a service center.
- Do not pull or carry by cord, use cord as a handle, close a door on cord, or pull cord around sharp edges or corners. Do not run appliance over cord. Keep cord away from heated surfaces.
- Do not unplug by pulling on cord. To unplug, grasp the plug, not the cord.
- Do not handle plug or appliance with wet hands.
- Do not put any object into openings. Do not use with any opening blocked; keep free of dust, lint, hair, and anything that may reduce air flow.
- Keep hair, loose clothing, fingers, and all parts of body away from openings and moving parts.
- Do not pick up anything that is burning or smoking, such as cigarettes, matches, or hot ashes.
- Do not use without dustbag and/or filters in place.
- Turn off all controls before unplugging.
- Use extra care when cleaning on stairs.
- Do not use to pick up flammable or combustible liquids such as gasoline or use in areas where they may be present.
- Connect to a properly grounded outlet only. See grounding instructions.

SAVE THESE INSTRUCTIONS

INSPECTION

Carefully unpack and inspect your machine for shipping damage. Each unit is tested and thoroughly inspected before shipment, and any damage is the responsibility of the delivery carrier who should be notified immediately.

ELECTRICAL - 115 Volt

This machine is designed to operate on a standard 15 amp, 115 volt, 60 hz, AC circuit. Voltages below 105 volts AC or above 125 volts AC could cause serious damage to the motor.

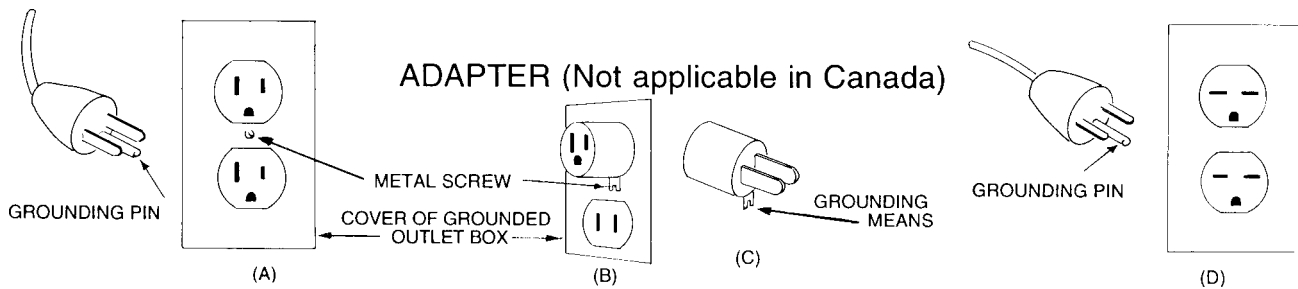
GROUNDING INSTRUCTIONS

This appliance must be grounded. If it should malfunction or breakdown, grounding provides a path of least resistance for electric current to reduce the risk of electric shock. This appliance is equipped with a cord having an equipment-grounding conductor and grounding plug. The plug must be plugged into an appropriate outlet that is properly installed and grounded in accordance with all local codes and ordinances.

DANGER

Improper connection of the equipment-grounding conductor can result in a risk of electric shock. Check with a qualified electrician or service person if you are in doubt as to whether the outlet is properly grounded. Do not modify the plug provided with the appliance — if it will not fit the outlet, have a proper outlet installed by a qualified electrician.

This machine is for use on a nominal 120 volt circuit and has a grounding plug that looks like the plug illustrated in Sketch A. Make sure that the machine is connected to an outlet having the same configuration as the plug. No adapter should be used with this appliance.



WARNING

This vacuum may contain potentially hazardous dust depending on its application. Special handling of contaminated disposal bags and filters is recommended. Disposal must be in compliance with local EPA regulations

USER MAINTENANCE INSTRUCTIONS

All service and repair should be performed by qualified vacuum service representative or electrician. No user serviceable components are employed in the electrical vacuum lid head assembly. No lubrication of the motor is required.

CLOTH BAG & HOSE ASSEMBLY

Cloth bag and hose assembly are user maintenance items and can be replaced when worn out. For optimum performance, empty and clean filter bag regularly. A clogged and dirty bag restricts the flow of air and results in reduced vacuum. The hose assembly can be maintained by wiping off with a dampened cloth of mild liquid soap and water, then allowed to dry.

CORD STORAGE

While not in use storage can be accomplished by winding cord around motor lid assembly. Cord should be completely unwound from lid assembly during operation.

- Do not use with damaged cord or plug. If appliance is not working as it should, has been dropped, damaged, left outdoors, or dropped into water, return to service center.
- Do not pull or carry by cord, use cord as handle, close a door on cord, or pull cord around sharp edges or corners. Do not run appliance over cord. Keep cord away from heated surfaces.
- Do not unplug by pulling cord. To unplug, grasp the plug, not the cord.
- Do not handle plug or appliance with wet hands.
- Always unplug the machine when removing the motor head off the tank. This equipment should be stored indoors and not exposed to rain.

Always unplug the machine when removing the motor head off the tank. This equipment should be stored indoors and not exposed to rain.

OPERATION AND FILTER CARE INSTRUCTIONS

The Minuteman Critical Filter Vacuum has been specifically designed to clean up fibrous asbestos, mold, and lead dust of all types. Special filters reduce the incidence of airborne dust that would be created by any other method of cleaning.

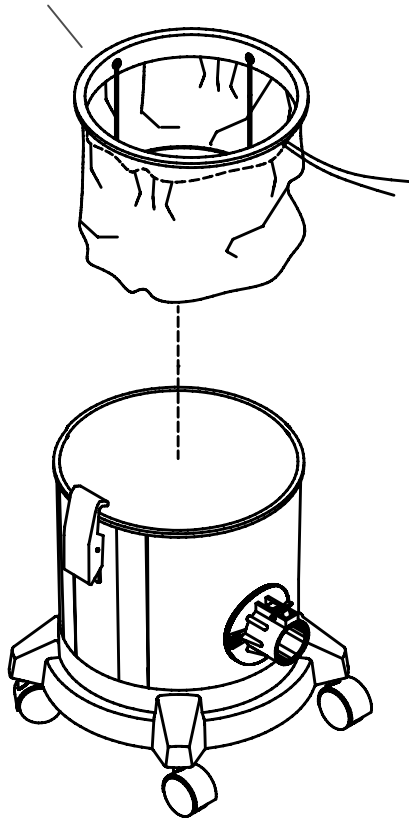
- During the removal of hazardous dust, do not sweep, scoop, shovel, or in any manner handle other than by vacuuming.
- Do not at any time attempt to bypass, remove, substitute, or by any other means change the filters used in this vacuum. Use only approved Minuteman vacuum filters and filter bags.
- Before attempting to use and before cleaning, be certain that you fully understand the instructions given for the setting up or cleaning/changing of filters of this vacuum.
- Since each facility has its own individual and unique cleaning problems, it is suggested that you use the following guidelines in determining the length of time between filter changes.
- In light cleaning situations change filters once a day unless you have determined by checking that a shorter or longer period of time would be necessary to meet 10 pounds of material.

TANK/FILTER SET-UP PROCEDURE

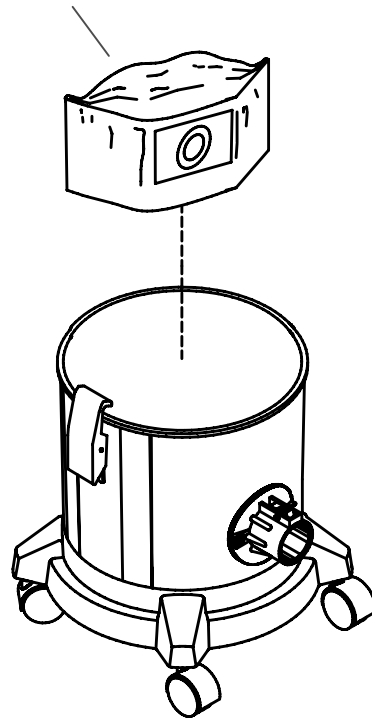
1. Take the paper bag that has the cardboard collar attached and open it by gently pulling the folds apart.
2. You will notice two creases on the top side of the collar; carefully bend the ends down (toward) the bag.
3. Insert this bag into the tank and push it to the bottom.
4. Locate the cardboard collar around the intake tube and gently work it up past the raised ring that runs around the tube.
5. Place the optional cloth filter bag onto and into the tank.
6. Position the lid on the tank as shown on the next page.
7. Snap the lid latches into place.

For proper cleaning of tank and removal/changing of filters, see "Procedure for Removing Contaminated Filters and for Cleaning of Contaminated Tank".

CLOTH BAG ASSEMBLY 829094



DISPOSABLE PAPER FILTER BAGS 384003PKG



The Mico Vac comes standard with a disposable paper filter bag or an optional cloth bag assembly. When using a paper filter bag, make sure the latches are positioned over the raised tabs. When using the cloth bag, position the latches over the lower lid portion.



LATCH POSITION SHOWN FOR USE WITH CLOTH BAG ASSEMBLY 829094

PROCEDURE FOR REMOVING CONTAMINATED FILTERS AND FOR CLEANING OF CONTAMINATED TANK

For the benefit of your health, you should always wear personal protective clothing and respiratory protection any time you are using or cleaning this vacuum.

1. Unplug machine from power source.
2. Carefully and slowly remove lid only (be sure you have not accidentally lifted the cloth filter bag at the same time). Set the lid/filter assembly aside.
3. Gently tap the inside of the cloth bag to loosen any particles that may be on the opposite surface. Do this all around the inside surface of the bag.
4. Gently remove the cloth bag and set aside.
5. Using a cloth, dampened with water (not soaking wet), wipe down all of the exposed surfaces inside of the tank; put the cloth aside, do not discard.
6. Carefully and “very” slowly, push the paper bag down and off of the intake tube, using the attached cardboard collar. After the collar is removed from the intake tube, take the damp cloth and wipe off any surfaces that were not previously cleaned; at this time, re-wipe the entire inside of the tank and dispose of cloth in the plastic bag.
7. **CAUTION:** Hazardous materials must be disposed of properly. Never throw contaminated debris in your usual trash receptacle. Place debris in a plastic bag or can marked “HAZARDOUS MATERIALS” and take to a hazardous waste handler.
8. For proper assembly of new filters, see “Tank/Filter Set-Up Procedure”.

CHANGING THE BLACK FOAM PREFILTER

The black filter should be changed, using all of the precautions previously mentioned. The filter should be changed when any of the following takes place:

1. Anytime there is an indication of a filter tear during normal operation of the unit. This tear could be in any of the filters used.
 - a. paper dust containment bag
 - b. cloth filter bag

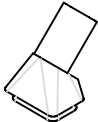
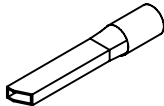
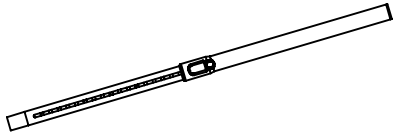
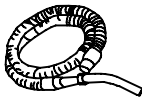
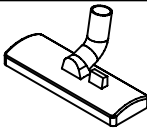

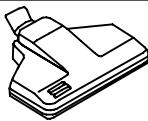
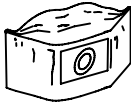
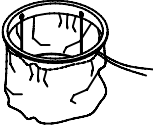

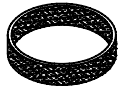
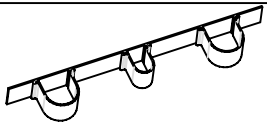
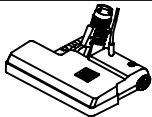
These tears would show up during the tank clean-out procedure, or....

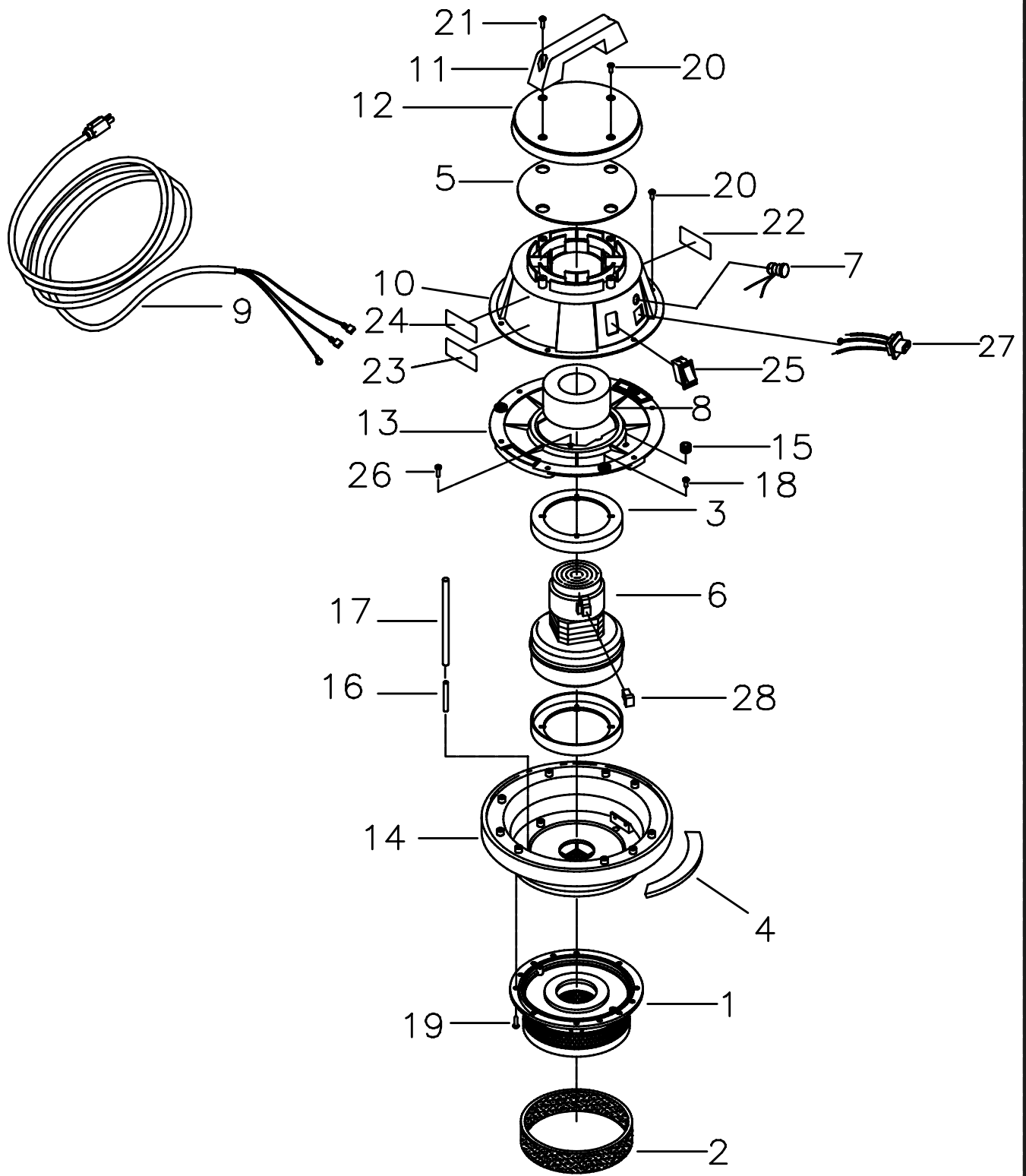
2. Every other tank clean-out period.

To change the prefilter, do the following before you do Step #3 of the normal clean-out procedure:

- a. Wipe down all of the exposed surfaces on the underside of the removed lid, using the dampened wiping cloth (see Step #6).
3. To install prefilter Item 1 simply slide black foam sleeve over HEPA canister.

TOOLS AND ACCESSORIES

	PART NO.	DESCRIPTION
A		829563 DUST BRUSH 1-1/4"
B		829562 CREVICE TOOL
C		829565MCH TELESCOPING WAND
D		829849 HOSE ASSY 1-1/4" x 8'
E		829561 COMBINATION FLOOR TOOL
F		829564 UPHOSTERY TOOL (OPTIONAL)
G		829096 TURBO BRUSH (OPTIONAL)
H		384003PKG DISPOSABLE PAPER REPLACEMENT FILTER BAGS
I		829094 BAG ASSEMBLY COMPLETE (OPTIONAL)
J		110025 FILTER, HEPA-MICROVAC
K		110027PKG PRE-FILTER SLEEVE 6/PKG
L		829097 TOOL KIT CARRIER 1.25
M		807756 14" ELECTRIC POWER HEAD (OPTIONAL)



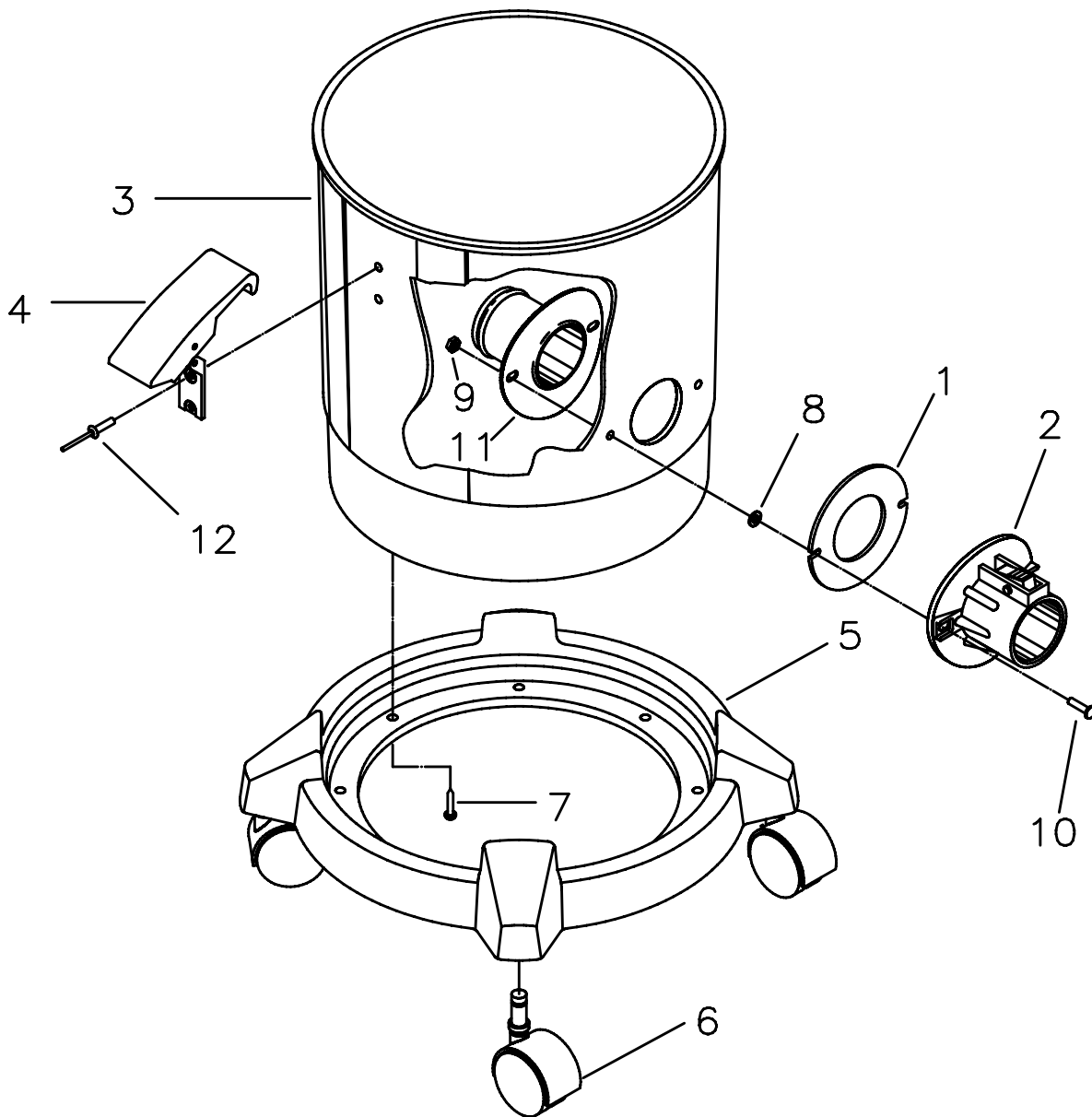
PARTS LIST

ITEM	PART NO.	REQ'D	DESCRIPTION
1	110025	1	FILTER, HEPA-MICROVAC
2	110027	1	PREFILTER SLEEVE, ALLERVAC - SINGLE
3	290017	2	MOLDED VAC MOTOR GASKET
4	290031	1	LID GASKET 294/6 DIECUT
5	290032	1	DOME SEAL 296
6	380001-4	1	MOTOR-VAC BYPASS 120V (ECM) W/ WIRES
7	740088	1	SWITCH-VAC LIGHT SENSOR
8	380064	1	RING, FOAM
9	381020	1	CORD-16GA-3 50FT MED GREY
10	829091	1	COVER-MOTOR 4G DRY
11	460001	1	HANDLE BASIC 460 BLACK
12	460101	1	MOTOR CAP- BLACK
13	460104MCH	1	MOTOR HOLDOWN 829SERIES
14	460120	1	MOTOR PAN ASY 829SERIES
15	700287	1	GROMMET
16	829099	1	TUBE SS .125 X 1.5
17	800071	1	CLEAR TUBBING 12" LONG
18	711125	3	SCR-ST-B 10 X .50 NI
19	711160	9	SCR-HI/LO #10 X 5/8 ZINC
20	711161	8	SCR-HI/LO #10 X 3/4 ZINC
21	711162	2	SCR-HI/LO #10 X 1 1/2 ZINC
22	715029	1	DECAL-NAME PLATE SERIAL
23	715446	1	DECAL-HEPA FILTER
24	715009	1	DECAL-WARNING TO AVOID
25	809754	1	SWITCH-ROCKER
26	828893	1	RIVET-BAP KTR64BX
27	831801-2	1	RECEPTACLE ASY, FEMALE W/PIGGYBACKS
28	380005	1	CARBON BRUSH REPLACEMENT (ECM)

To install prefilter Item 1 simply slide black foam sleeve over HEPA canister.

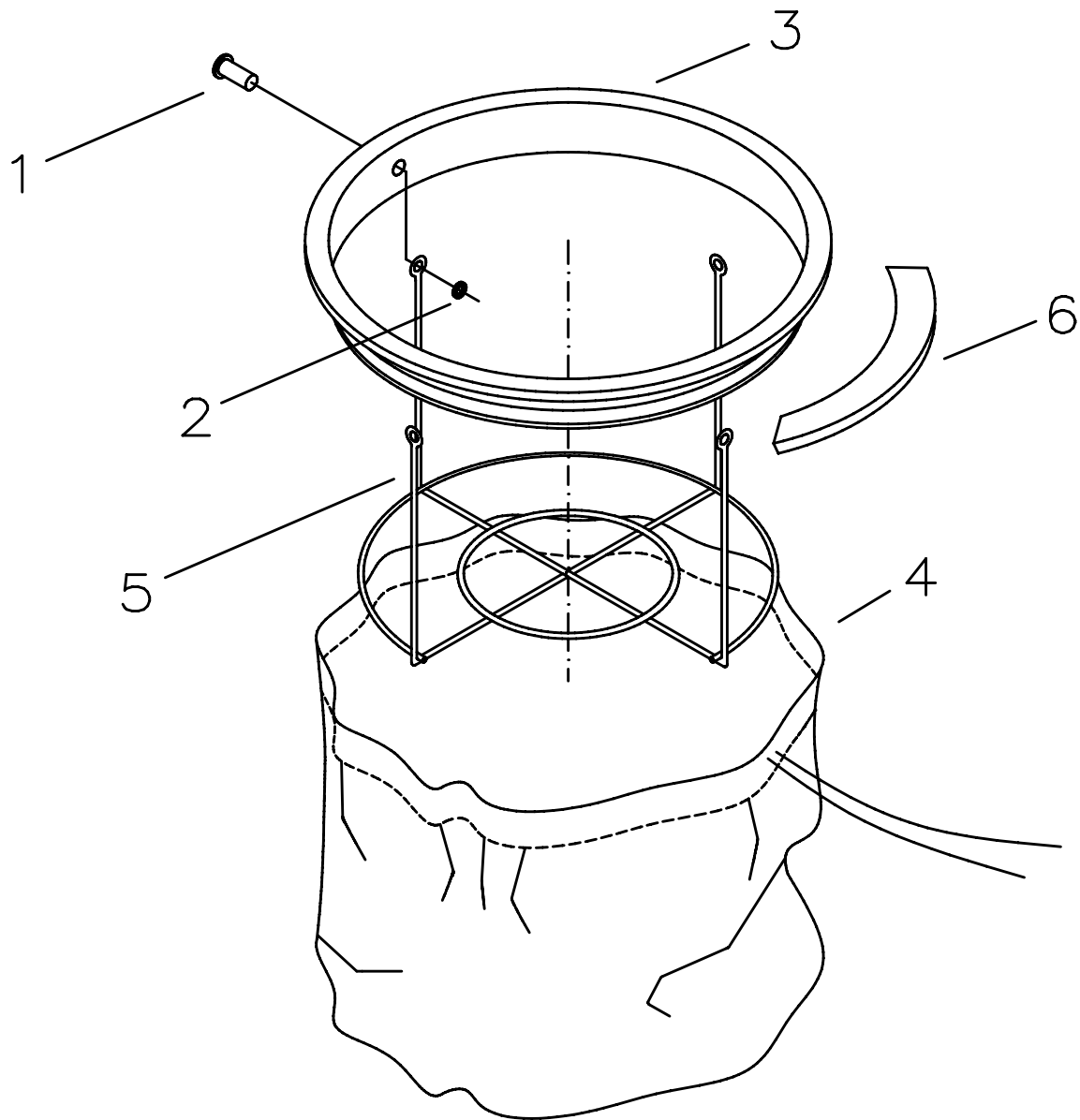
WARNING

This vacuum may contain potentially hazardous dust depending on its application. Special handling of contaminated disposal bags and filters is recommended. Disposal must be in compliance with local EPA regulations.



PARTS LIST

ITEM	PART NO.	REQ'D	DESCRIPTION
1	390087	1	GASKET DIECUT VNN
2	390110	1	INTAKE ASSEMBLY ALUMINUM
3	460111	1	TANK 4GAL LOW INTAKE
4	460114	2	LATCH POLY TNK
5	460115	1	DOLLY, PLAST VAC TNK BLK
6	460118	4	CASTER
7	711160	4	SCR-HI/LO #10 X 5/8 ZINC
8	712320	2	WSR .20 X .45 X .048 NYL
9	712638	2	NUT HEX 10-24 SS NYLOC
10	712824	2	SCR-MC 10-24 X .75 TRUSS HD ST
11	750118	1	INTAKE ASSY TUBE 4/6 GAL
12	828893	4	RIVET-BAP KTR64BX



Parts List

ITEM	PART NO.	REQ'D	DESCRIPTION
1	711909	4	RIVET-POP .19 X .44 AL
2	712764	4	WSR #10 SS
3	760244MCH	1	PLASTIC BAG FRAME W/HOLE
4	805043	1	BAG ONLY 4G
5	829093	1	BAG FRAME 4G
6	390005	1	GASKET 4/6 GAL 1TO1
***	829094	1	BAG ASY COMP



Minuteman International Made Simple Commercial Limited Warranty

Minuteman International, Inc. warrants to the original purchaser/user that the product is free from defects in workmanship and materials under normal use. Minuteman will, at its option, repair or replace without charge, parts that fail under normal use and service when operated and maintained in accordance with the applicable operation and instruction manuals. All warranty claims must be submitted through and approved by factory authorized repair stations.

This warranty does not apply to normal wear, or to items whose life is dependent on their use and care, such as belts, cords, switches, hoses, rubber parts, electrical motor components or adjustments. Parts not manufactured by Minuteman are covered by and subject to the warranties and/or guarantees of their manufacturers. Please contact Minuteman for procedures in warranty claims against these manufacturers.

Special warning to purchaser — Use of replacement filters and/or prefilters not manufactured by Minuteman or its designated licensees, will void all warranties expressed or implied. A potential health hazard exists without original equipment replacement.

All warranted items become the sole property of Minuteman or its original manufacturer, whichever the case may be.

Minuteman disclaims any implied warranty, including the warranty of merchantability and the warranty of fitness for a particular purpose. Minuteman assumes no responsibility for any special, incidental or consequential damages.

This limited warranty is applicable only in the U.S.A. and Canada, and is extended only to the original user/purchaser of this product. Customers outside the U.S.A. and Canada should contact their local distributor for export warranty policies. Minuteman is not responsible for costs or repairs performed by persons other than those specifically authorized by Minuteman. This warranty does not apply to damage from transportation, alterations by unauthorized persons, misuse or abuse of the equipment, use of non-compatible chemicals, or damage to property, or loss of income due to malfunctions of the product.

If a difficulty develops with this machine, you should contact the dealer from whom it was purchased.

This warranty gives you specific legal rights, and you may have other rights which vary from state to state. Some states do not allow the exclusion or limitation of special, incidental or consequential damages, or limitations on how long an implied warranty lasts, so the above exclusions and limitations may not apply to you.

Cord Electric Group Three years parts, two years labor, ninety days travel (Not to exceed two hours)

- Exceptions**
 - Port-A-Scrub, one year parts, six months labor
 - MPV 13, one year parts
 - MPV 14 and 18, two years parts, one year labor
 - RapidAir blower, one year parts, one year labor
 - Explosion-Proof Vacuum, one year parts, one year labor
 - Pneumatic Vacuums, three years parts, one year labor

Battery Operated Group Three years parts, two years labor, ninety days travel

- (Not to exceed two hours)
- Exceptions**
 - Sweepers, one year parts, one year labor, ninety days travel
 - (Not to exceed two hours)

Internal Combustion Group One year parts, one year labor, ninety day travel

(Not to exceed two hours)

Replacement Parts Ninety days

Batteries 0-3 months replacement, 4-12 months pro-rate

Polypropylene Plastic Tanks Ten years, no additional labor



A Member of the Hako Group of Companies

World Headquarters

Minuteman International, Inc.
111 South Rohlwing Road
Addison, Illinois 60101

Phone 630-627-6900

Fax 630-627-1130

www.minutemanintl.com

Minuteman Canada, Inc.

2210 Drew Road
Mississauga, Ontario
L5S 1B1

Phone 905-673-3222

Fax 905-673-5161

987620

Created 11/06

Printed in U.S.A.