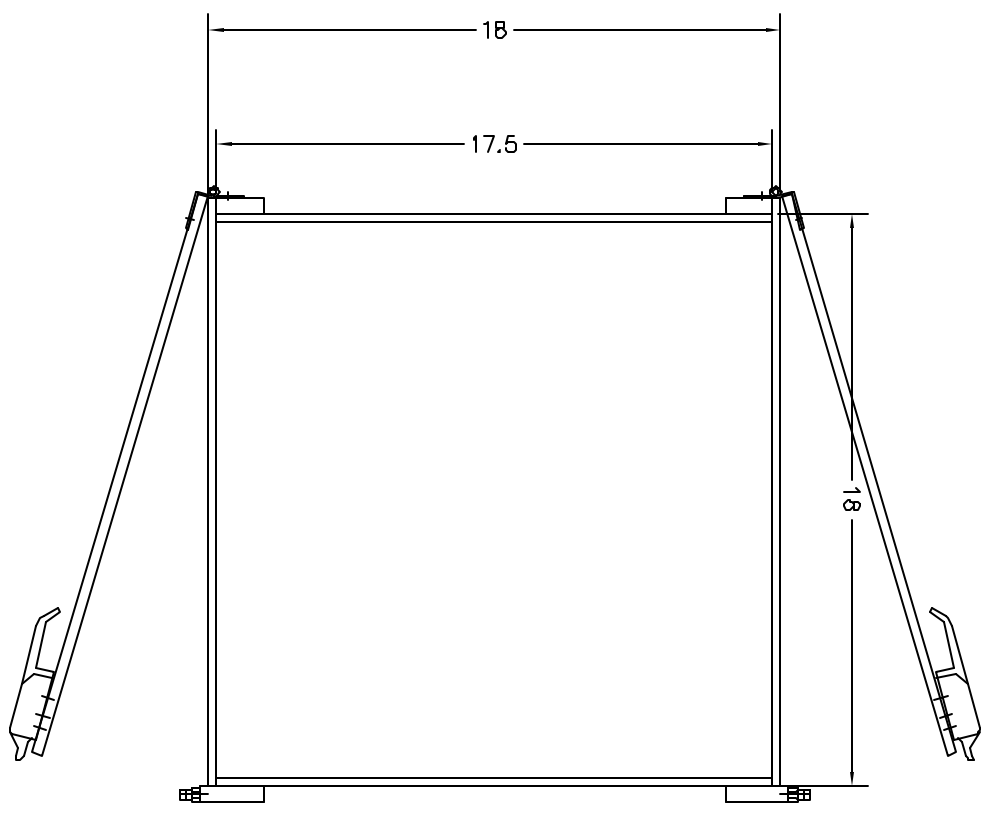



LIR	DESCRIPTION	DATE	APPD	-1	UNLESS OTHERWISE SPECIFIED, DIMENSIONS ARE IN INCHES. TOLERANCES ON
NC	INITIAL RELEASE	09.05.01			XX DECIMALS ± X±
					XXX DECIMALS ± X/X ±
					DATE
					DRAWN, SIGNATURES DATE
					ENGRS. RAJWANT BRAR 05.05.01
					PROPRIETARY & CONFIDENTIAL
					TERRA UNIVERSAL
					DEVELOPER OR OWNER PROPRIETED
					TITLE
					PASS THROUGH, ACRYLIC
					18" Wx18" Dx18" H
					SCALE NONE
					1992-44-46320
					SHEET 1 OF 2



PASS THROUGH, ACRYLIC
18" Wx18" Dx18" H



LIR	DESCRIPTION	DATE	APPD	-1	UNLESS OTHERWISE SPECIFIED, DIMENSIONS ARE IN INCHES	TITLE
NC	INITIAL RELEASE	09.05.01		CONFIG	TOLERANCES ON	PASS THROUGH, ACRYLIC
				MATERIAL SPEC	XX DECIMALS ±	18" Wx18" Dx18" H
				1/4" CLEAR ACRYLIC	XX DECIMALS ±	
				FINISH SPEC	X/X ±	
					SIGNATURES	
					DRAWN, RAJWANT BRAR	DATE
					ENGRS	05.05.01
						
				PROPRIETARY & CONFIDENTIAL TERRA UNIVERSAL DISCLOSURE OR COPIES PROHIBITED		
				NEXT ASSY USED IN SCALE NONE 128735 A 1992-44-46320 PASS THROUGH SHEET 2 OF 2		