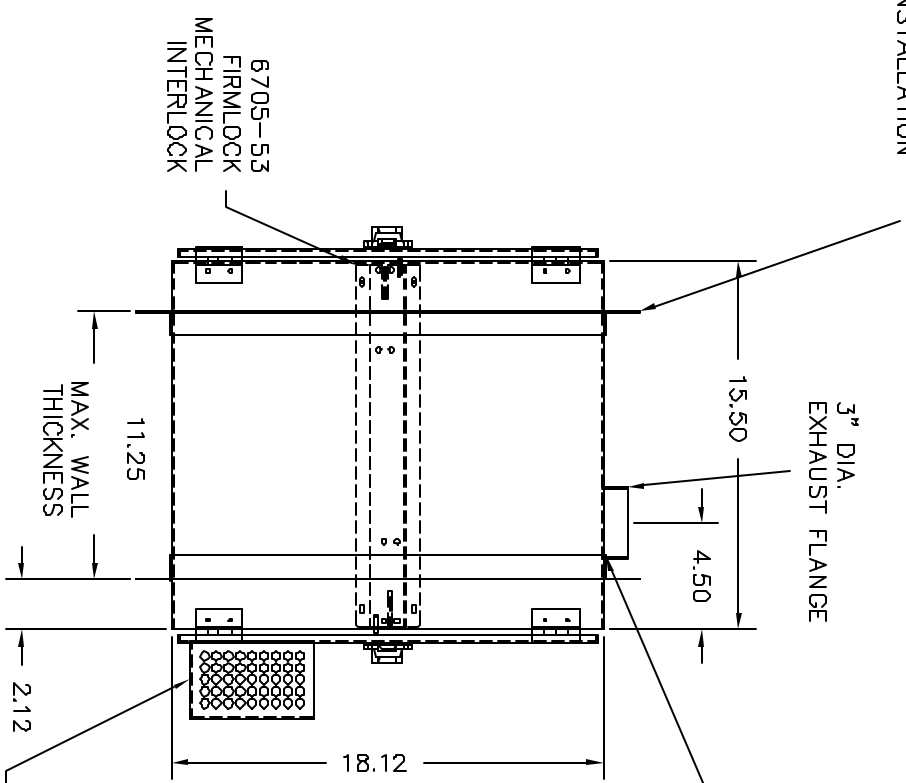


SINGLE PANE SAFETY GLASS
BOTH DOORS

CUSTOM MOUNTING BRACKET
1994-08-2-52620
SHIPPED LOOSE FOR MOUNTING AT
INSTALLATION



6705-24
INLET ULPA FOR STAINLESS
STEEL PASS-THROUGH
VENTILATION SYSTEM
EARLY ACTIVATION SIDE

CUSTOM MOUNTING BRACKET
1994-08-2-52620
WELDED IN PLACE

LTR	DESCRIPTION	DATE	APPD	-1	CONFIG	DESCRIPTION
NG	INITIAL RELEASE					
(A)	SEE ECO SHEET	10/12/06	L.A.		MATERIAL SPEC.	FINISH SPEC.
(B)	SEE ECO SHEET	10/24/08	JV		304 SS CONJT WELD	ELECTROPOLISH
UNLESS OTHERWISE SPECIFIED DIMENSIONS ARE IN INCHES						
TOLERANCES UNLESS OTHERWISE SPECIFIED:						
.XX DECIMALS ± .03 X± 1"						
.XXX DECIMALS ± .010 Y/X ± 1/64						
DRAWN	SIGNATURES	DATE				
ENGR	LUIS AVILA	10/12/06				
Terra Universal			TITLE			
			PASS THROUGH, SS			
			18.120 X 15.500 X 18.120			
			SERIES 100 BIOSAFE			
NEXT ASSY USED ON SCALE NONE			PASS THROUGH SHEET 1 OF 2			