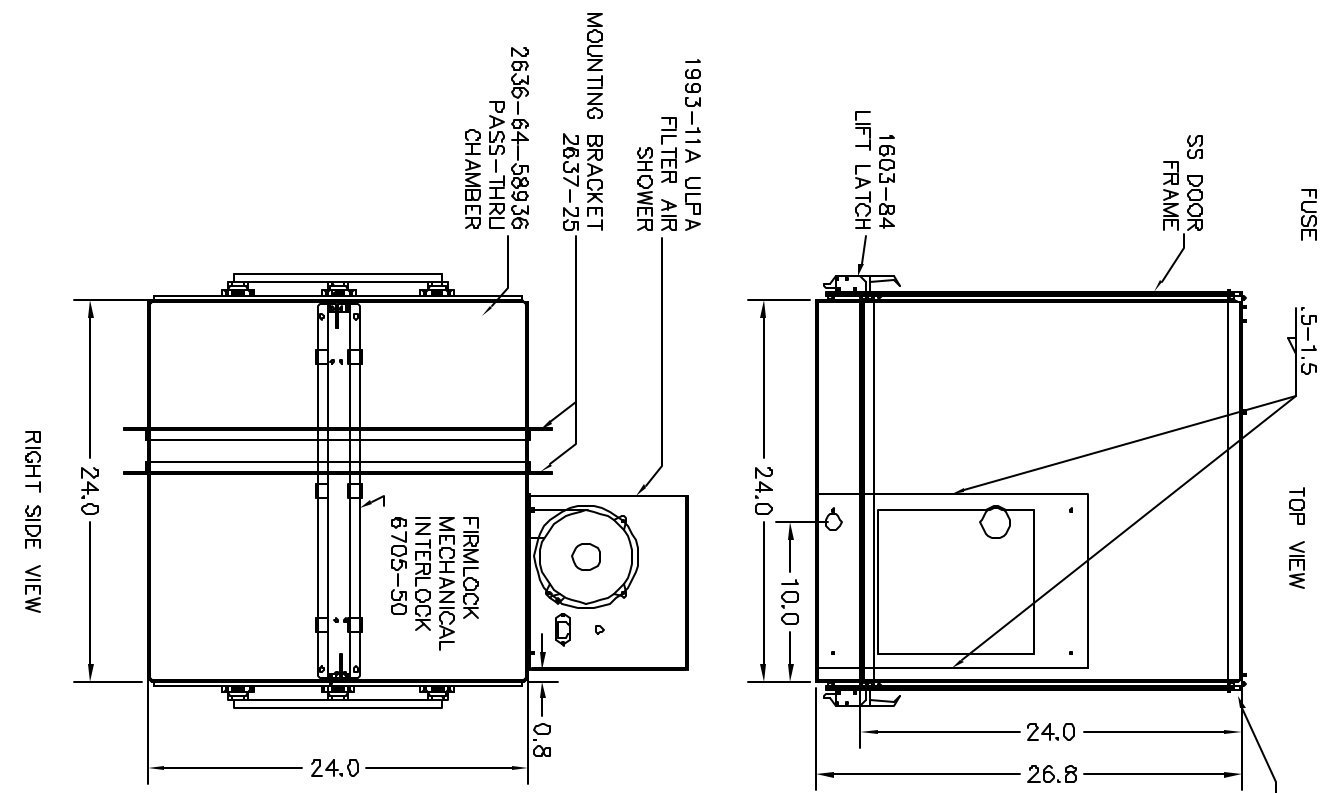
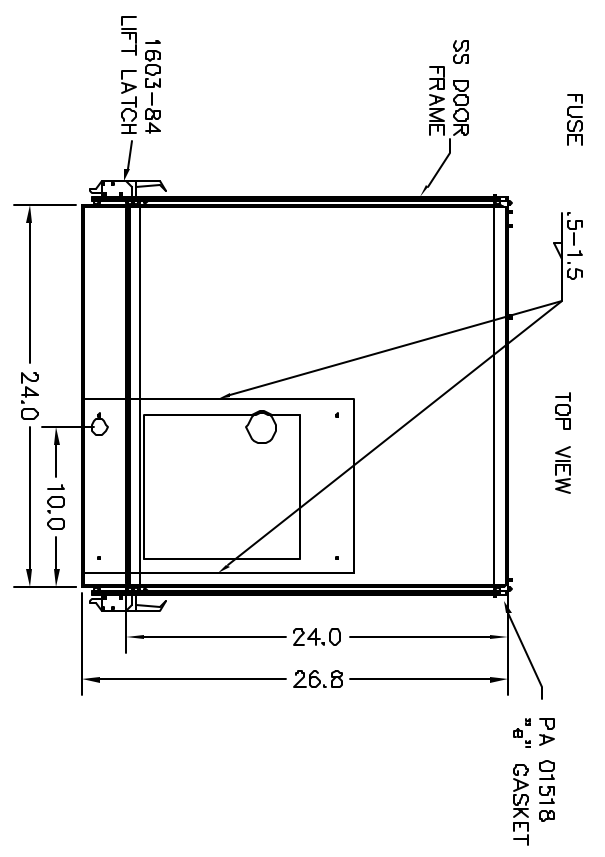


FRONT VIEW



RIGHT SIDE VIEW



TOP VIEW

LR	DESCRIPTION	DATE	APPD	CONFIG	DESCRIPTION
NC	INITIAL RELEASE	12/29/06	FT	MATERIAL SPEC.	FINISH SPEC.
				SC4 SS	

UNLESS OTHERWISE SPECIFIED, DIMENSIONS ARE IN INCHES					
TOLERANCES ON					
.XX	DECIMALS ±	.03	X±	1"	
.XXX	DECIMALS ±	.010	X/X ±	1/64	
DRAWN:	FRANCIS TRAN	DATE:	01/08/09		
ENTER	SIGNATURES				

Terra Universal

REGISTERED & CONFIDENTIAL
ALL RIGHTS RESERVED BY
TERRA UNIVERSAL
DISCLAIMER OR COPYING PROHIBITED

TITLE	SER. 200 STAINLESS STEEL
	BIOSAFE PASS THROUGH
	26.782"W x 24"D x 24"H
NEXT ASSY	13B3R2
USED ON/SCALE	A 2636-64-58936
PT	NONE
SHEET	1 OF 18